

Honeywell

LIMIT SWITCH

CATALOGUE LISTING
GLS
CHART NO.
MTG-GL-211

MTG-GL-211

DRAWING NUMBER

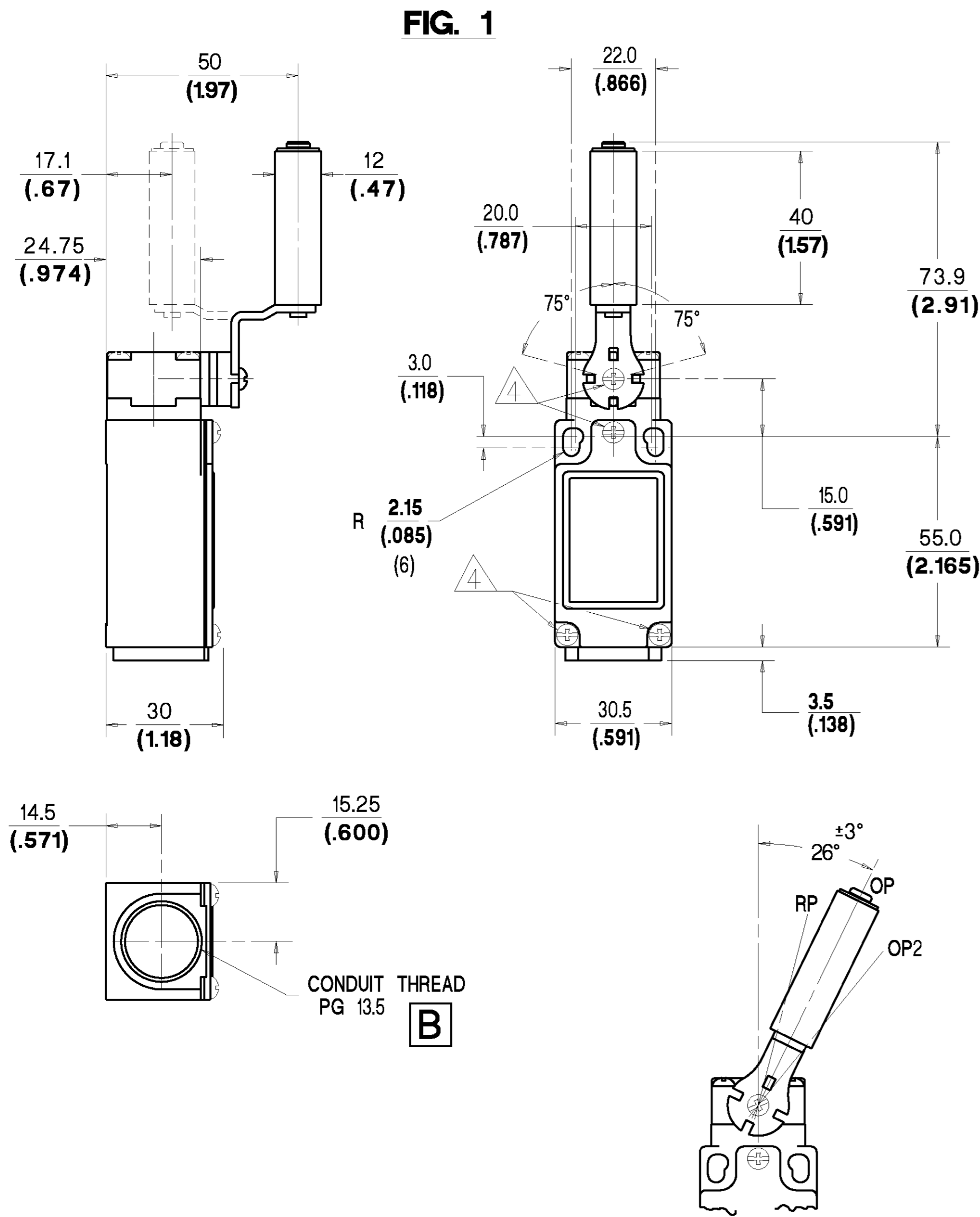
ISSUE

REVISIONS

2	7/96
3	12/96
4	7/97
5	8/97
6	CO/395
1	WEIR 6/98

REPLACES AO18-238

RELEASE NUMBER

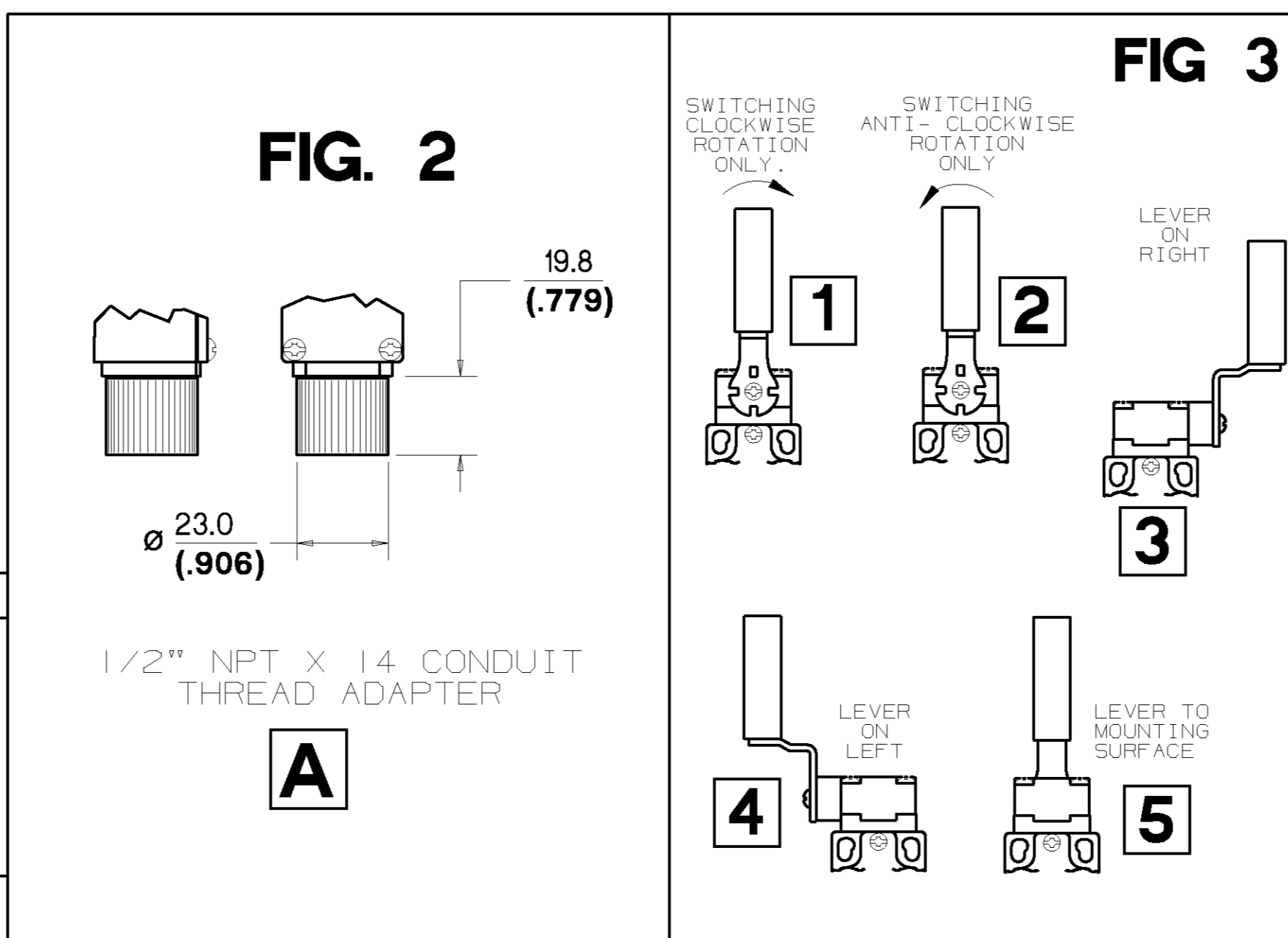


NO CHANGES CAN BE MADE TO THIS DRAWING WITHOUT JOINT NEWHOUSE/FREEPORT APPROVAL

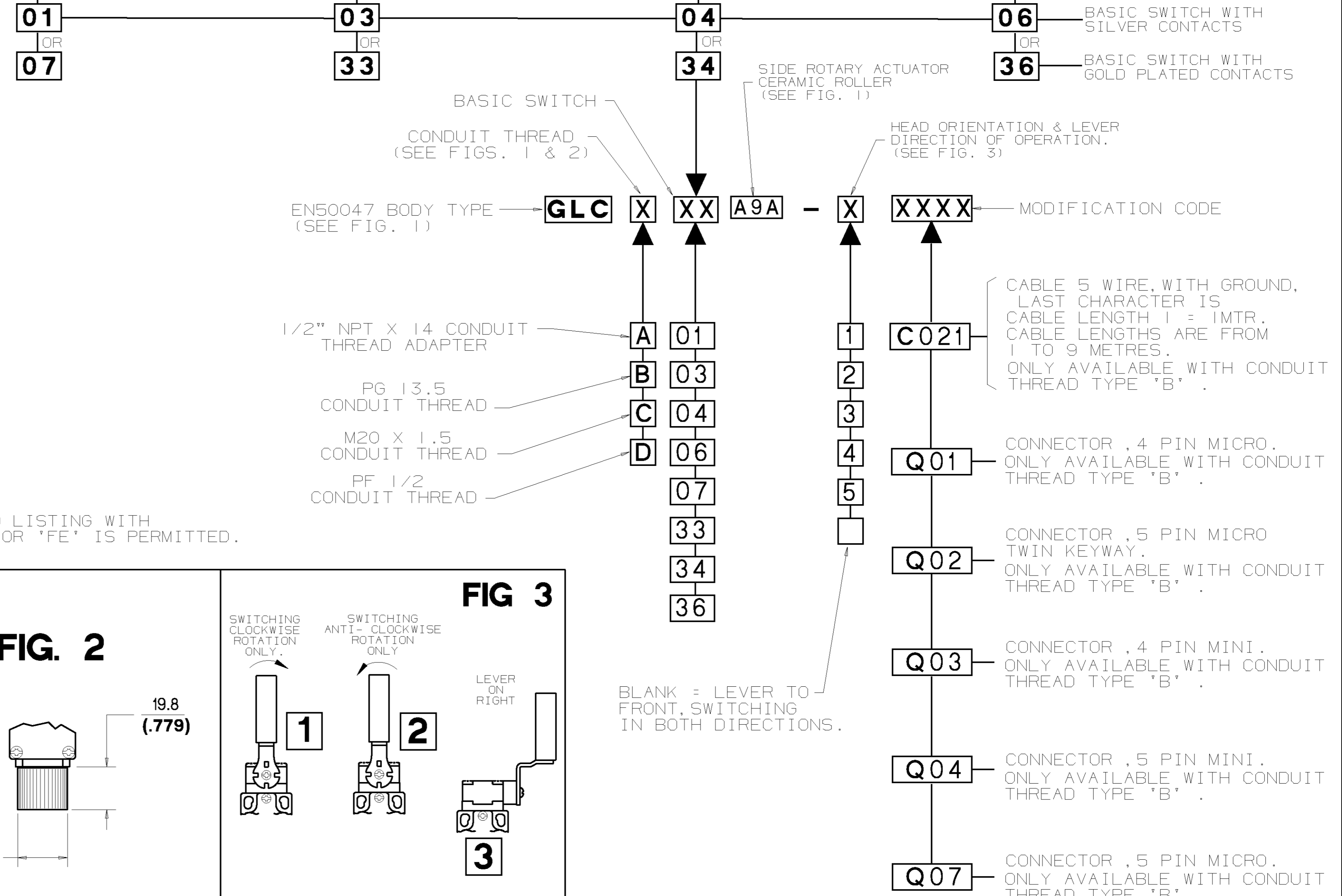
NOTES:-

- ZINC DIECAST BODY AND HEAD WITH STEEL COVER. BODY AND COVER FINISHED IN MICRO SWITCH BLUE EPOXY PAINT. HEAD FINISHED IN BLACK EPOXY PAINT.
 - MINIMUM OPERATING VELOCITY (V_{min}) = 0.26 rad/s
MAXIMUM OPERATING VELOCITY (V_{max}) = 25 rad/s
MAXIMUM OPERATING FREQUENCY (F_{max}) = 250 OPS/MIN
 - FREE POSITION (FP), OPERATING POINT (OP), OVERTRAVEL (OT) AND PRETRAVEL (PT) ALL TO EN50047.
- ⚠️ MAXIMUM TIGHTENING TORQUE FOR FIXING SCREW = 0.5Nm (4.4in.LB)

NOTE:- ANY STANDARD LISTING WITH SUFFIX 'RS' OR 'FE' IS PERMITTED.



<p>SNAP-ACTION CONTACTS</p>	<p>SLOW-ACTION CONTACTS (BREAK BEFORE MAKE)</p>	<p>SLOW-ACTION CONTACTS (MAKE BEFORE BREAK)</p>	<p>SLOW-ACTION CONTACTS (2 NORMALLY CLOSED)</p>	<p>CONTACT BLOCK DIAGRAM TERMINAL DESIGNATION TO EN 50013</p>
<p>0° 26° 54° to 75° 21-22 13-14 FP OP DT=11.5° OT 21-22 13-14 RP=14.5°</p>	<p>0° 26° 36.5° 39° to 75° 21-22 13-14 FP OP OP2 OT</p>	<p>0° 26° 39° 50.5° to 75° 21-22 13-14 FP OP OP2 OT</p>	<p>0° 26° 46.5° to 75° 21-22 11-12 FP OP OT</p>	<p>NOMINAL TRAVELS AND RELATED TERMINALS - CONTACT CLOSED</p> <p>CONTACT OPEN</p> <p>* POSITIVE OPENING TO IEC 947-5-1-3</p>
<p>120 (11)</p>	<p>110 (10)</p>	<p>110 (10)</p>	<p>110 (10)</p>	<p>NORMAL OPERATING TORQUE MAX Nmm (in.lbs)</p>
<p>140 (13)</p>	<p>160 (15)</p>	<p>170 (16)</p>	<p>150 (14)</p>	<p>MAXIMUM DISCONNECT TORQUE Nmm (in.lbs)</p>



BLANK = LEVER TO FRONT, SWITCHING IN BOTH DIRECTIONS.

NOTE: FOR CONNECTION DIAGRAMS AND ADDITIONAL ELECTRICAL, ENVIRONMENTAL & DIMENSIONAL INFORMATION SEE DRAWING GL-49212.

2/96	2/96	2/96	STANDARD SILVER CONTACTS	GOLD PLATED CONTACTS	ENVIRONMENTAL		APPROVALS
			ELECTRICAL RATING	ELECTRICAL RATING	ENVIRONMENTAL		APPROVALS
			AC	DC	ENVIRONMENTAL		APPROVALS
			A300 AC15 Ue Ie	O300 DC13 Ue Ie	ENVIRONMENTAL		APPROVALS
			VOLTS AMPS 120 6 240 3	VOLTS AMPS 125 0.55 250 0.27	ENVIRONMENTAL		APPROVALS
				I _{th} = 10A	ENVIRONMENTAL		APPROVALS
				IP66 NEMA 1, 4, 12, 13	ENVIRONMENTAL		APPROVALS
				TEMP RANGE: -25°C TO 85°C -13°F TO 185°F	ENVIRONMENTAL		APPROVALS
				STORAGE: -40°C TO 85°C -40°F TO 185°F	ENVIRONMENTAL		APPROVALS
				SHOCK: 50G PER IEC 68-2-27	ENVIRONMENTAL		APPROVALS
				VIBRATION: 10G PER IEC 68-2-6	ENVIRONMENTAL		APPROVALS
				50V 100mA MAX.	ENVIRONMENTAL		APPROVALS
				IEC 947-5-1	ENVIRONMENTAL		APPROVALS
				EN50047	ENVIRONMENTAL		APPROVALS
2/96	2/96	2/96	THE COPYRIGHT OF THIS DRAWING IS THE PROPERTY OF HONEYWELL LTD. THE DRAWING IS SUPPLIED IN CONFIDENCE AND MUST NOT BE USED FOR ANY PURPOSE OTHER THAN THAT FOR WHICH IT IS SUPPLIED.		SCALE		MODIFY ON CAD SYSTEM ONLY
			THIRD ANGLE PROJECTION		DIMENSIONS ARE IN		
			1:1		MM/INCHES.		

DRAWN: M. LOCH
CHECK: I. WEIR
DESIGN: J. BOYD
AUTHOR: P. TRICKETT