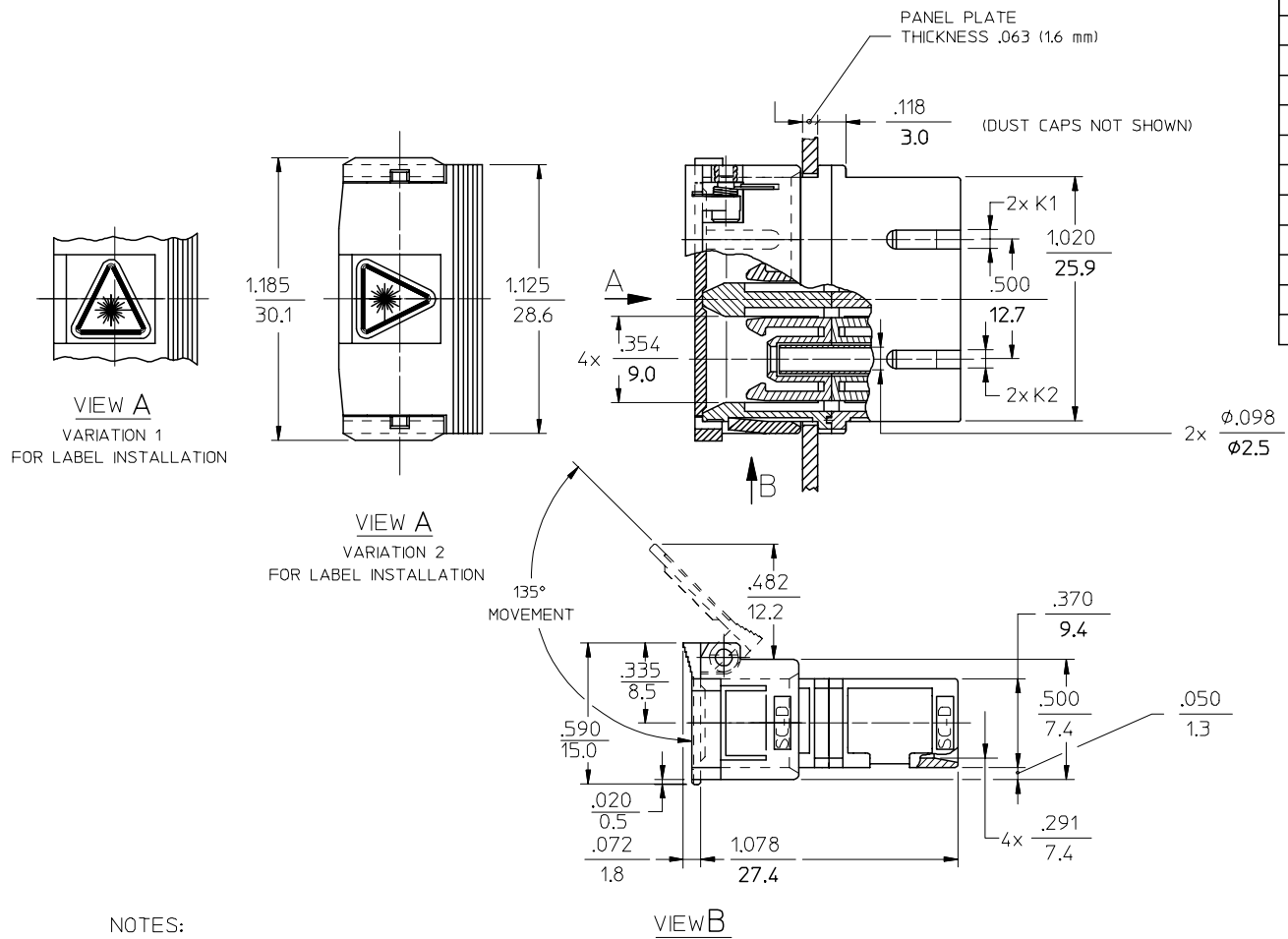


P/N OF ADAPTER	MATERIAL OF SLEEVE	TYPE	COLOR	K1	K2	
86166-0600	ZR	SINGLE MODE	BLUE			
86167-0600	PHOSPHOR BRONZE					
86166-0610	ZR	MULTIMODE	BEIGE	.079	.079	
86167-0610	PHOSPHOR BRONZE					
86166-0630	ZR			BLACK	.079	.055
86167-0630	PHOSPHOR BRONZE					
86168-0630	ZR	SINGLEMODE	GREEN	.079	1.4	
86169-0630	PHOSPHOR BRONZE	APC	AQUA	.079	.079	
86166-0650	ZR					
86167-0650	PHOSPHOR BRONZE	MULTIMODE	AQUA	2.0	2.0	
86167-0620	PHOSPHOR BRONZE					



NOTES:

- ALL DIMENSIONS ARE GIVEN IN $\frac{\text{INCHES}}{\text{mm}}$
- LABEL MUST BE INSTALLED AND ORIENTED BY CUSTOMER. (SEE VIEW A)

ENTER DESCRIPTION EC NO: MF2005-0645 DRWN: KATARZENE 2005/05/16 CHKD: 2005/05/16 APPR: IGUMIN 2005/05/17	DESCRIPTION	QUALITY SYMBOLS	GENERAL TOLERANCES (UNLESS SPECIFIED)	DIMENSION STYLE	SCALE	DESIGN UNITS	THIRD ANGLE PROJECTION
	REV	▽=0	4 PLACES ± --- ± ---	IN/MM	4:1	INCH	
		▽=0	3 PLACES ± --- ± ---				
			2 PLACES ± --- ± ---				
			1 PLACE ± --- ± ---				
			ANGULAR ±1/2°				

DRAWN BY		DATE	TITLE
CHECKED BY		DATE	
APPROVED BY		DATE	
MATERIAL NO.		DOCUMENT NO.	SHEET NO.
SEE TABLE		8616X-06X0CD	1 OF 1
SIZE	THIS DRAWING CONTAINS INFORMATION THAT IS PROPRIETARY TO MOLEX INCORPORATED AND SHOULD NOT BE USED WITHOUT WRITTEN PERMISSION		
B			