

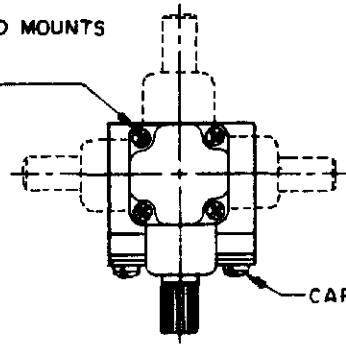
**H MICRO SWITCH**  
 FREEPORT, ILLINOIS, U.S.A.  
 A DIVISION OF HONEYWELL

**SWITCH - ENCLOSED**

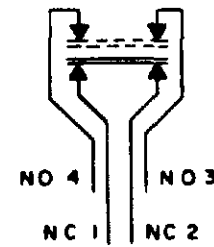
CATALOG LISTING  
**1LS1**

FED MFG CODE 81929

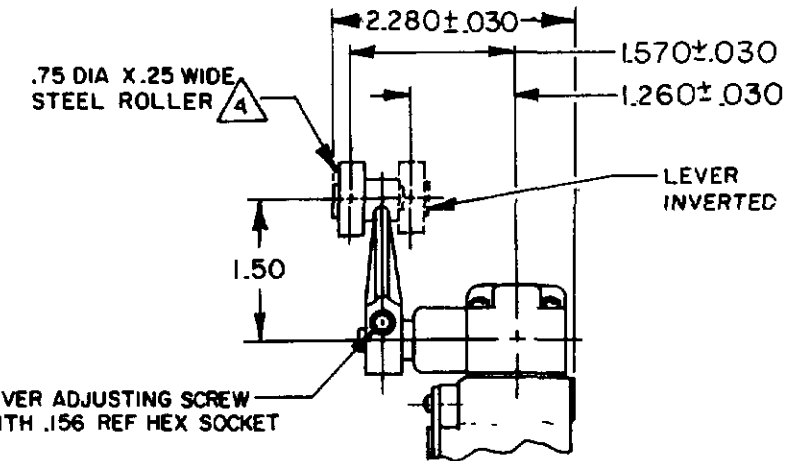
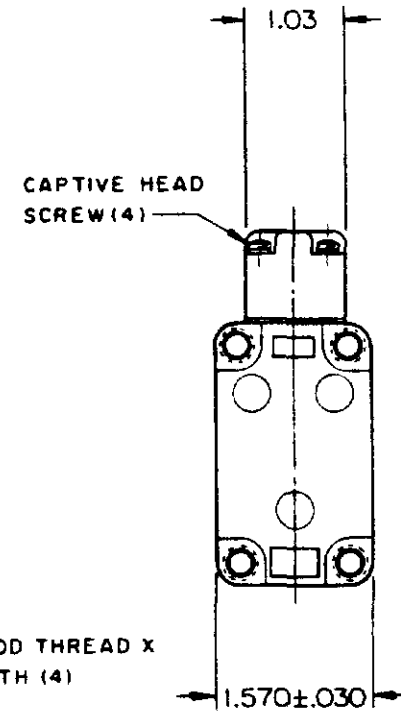
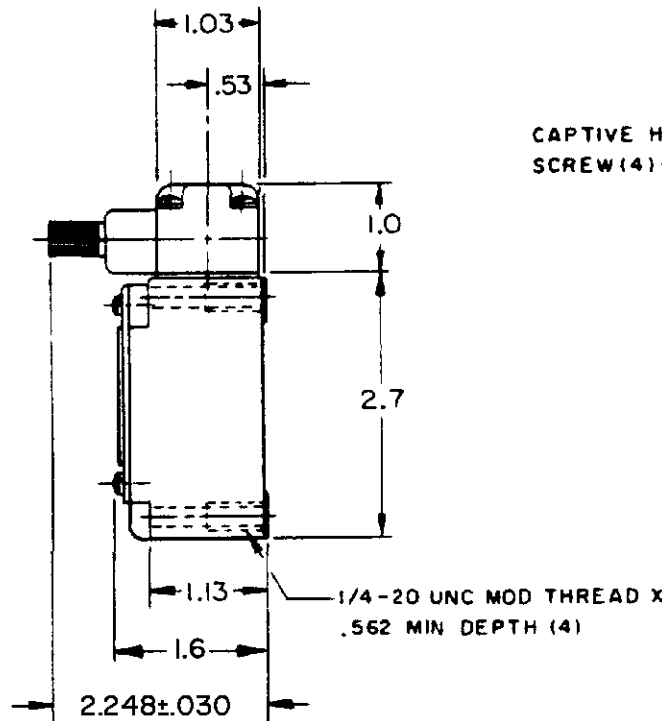
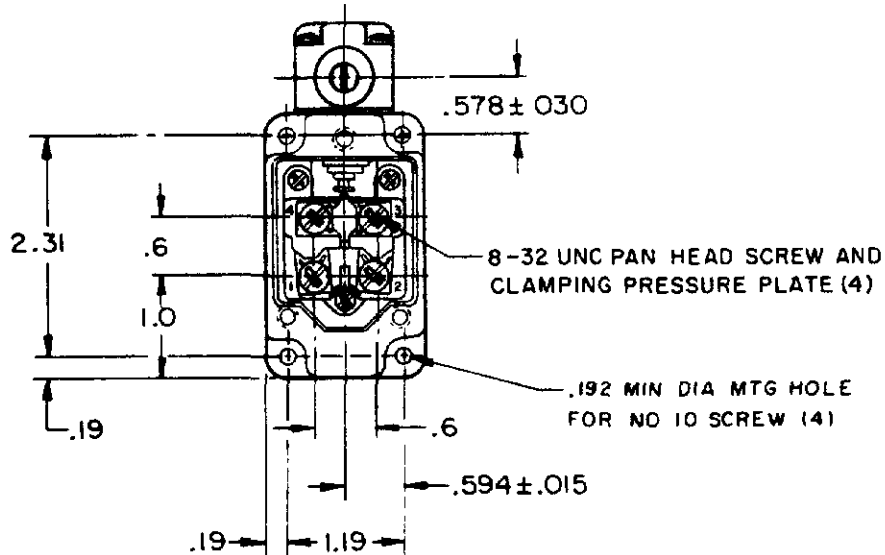
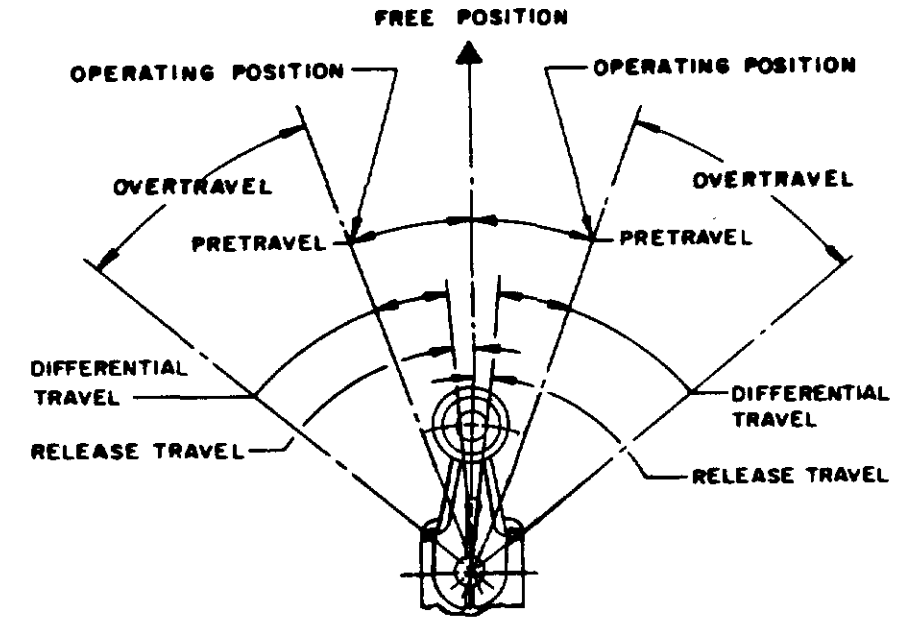
OPERATING HEAD MOUNTS  
 IN ANY OF FOUR  
 POSITIONS



CAPTIVE COVER SCREW (3)



CIRCUIT DIAGRAM



CAM TRACKING VIEW

CATALOG LISTING  
**1LS1**  
 PAGE 1 OF 1

ISSUE  
**M**  
 24

REVISIONS  
 A CO-95463-B  
 D L T  
 3 SEP 99  
 B ECO-200178  
 C S L  
 5 APR 00

CHECK  
 DRAW 20 MAR 64

FORMTEK  
 FO-80378-003

CHECK  
 DRAW 19 FEB 64

THIS DRAWING COVERS A PROPRIETARY ITEM AND IS THE PROPERTY OF MICRO SWITCH, A DIVISION OF MINNEAPOLIS-HONEYWELL REGULATOR CO. THIS DRAWING IS NOT TO BE COPIED OR USED WITHOUT THE APPROVAL OF MICRO SWITCH.

CHARACTERISTICS	ELECTRICAL DATA	SCALE 1/2 TO 1
OPERATING TORQUE --- 4.5 IN-LB MAX	CONTACT ARRANGEMENT (SEE CIRCUIT DIAGRAM)	DO NOT SCALE PRINT
FULL OVERTRAVEL TORQUE --- 6 IN-LB MAX	10 A-120, 240, OR 480 VAC, 1/3 HP-120 VAC 3/4 HP-240 VAC; 0.8 A-115 VDC, 0.4 A-230 VDC 0.1 A-950 VDC PILOT DUTY, 800 VAC MAX	UNLESS OTHERWISE NOTED DIMENSIONS ARE IN INCHES
RELEASE TORQUE --- .75 IN-LB MIN		<b>TOLERANCES ARE:</b>
PRETRAVEL --- 20° MAX		ONE PLACE (.0) ± .030
DIFFERENTIAL TRAVEL --- 12° MAX		TWO PLACE (.00) ± .015
OVERTRAVEL --- 30° MIN		THREE PLACE (.000) ± .005
RELEASE TRAVEL --- 5° MIN	ANGLES ±	WEIGHT 9 OZ
SWITCH-BASIC REPLACEMENT --- 2MINI		

NOTES

- SWITCH IS ASSEMBLED FOR ACTUATION IN BOTH DIRECTIONS BUT MAY BE ADJUSTED TO ACTUATE IN THE CLOCKWISE DIRECTION ONLY OR THE COUNTERCLOCKWISE DIRECTION ONLY
- TO CONVERT SWITCH FOR ACTUATION IN EITHER THE CLOCKWISE OR COUNTERCLOCKWISE DIRECTION ONLY, REMOVE ACTUATOR HEAD AND ROTATE THE NOTCHED PLUNGER 90° TO THE RIGHT FOR CLOCKWISE ACTUATION OR 90° TO THE LEFT FOR COUNTERCLOCKWISE ACTUATION

- 3 SEAL TO BE FURNISHED BY USER
- 4 ROLLER LEVER MAY BE LOCKED IN ANY POSITION THRU 360°
- 5 LEVER FURNISHED UNASSEMBLED IN UNIT PACKING BOX