

To : _____

Specification of FUJITSU TFT-LCD module

FLC43XWC8V-02

Approval

Date :

By :

This Product is designed, developed and manufactured as contemplated for general use, including without limitation, general office use, personal use, household use, and ordinary industrial use, but is not designed, developed and manufactured as contemplated for use accompanying fatal risks or dangers that, unless extremely high safety is secured, could lead directly to death, personal injury, severe physical damage or other loss (hereinafter "High Safety Required Use"), including without limitation, nuclear reaction control in nuclear facility, aircraft flight control, air traffic control, mass transport control, medical life support system, missile launch control in weapon system. If customer's product possibly falls under the category of High Safety Required Use, please consult with our sales representatives in charge before such use. In addition, FDTC shall not be liable against the customer and/or any third party for any claims or damages arising in connection with the High Safety Required Use of the Product without permission.

Specification No. : Tech Bes LCD-00149

Issue Date : Dec. 5, 2002

Issued by :

F. Yamada

F. Yamada

Director

Products Engineering Dept.

LCD Products Div.

FUJITSU DISPLAY TECHNOLOGIES CORPORATION

TABLE OF CONTENTS

A

1.APPLICATIONS..... 3

2.PRODUCT NAME AND MODEL NAME

2-1.Product Name 3

2-2.Model Name 3

3.OVERVIEW..... 3

4.CONFIGURATION..... 3

5.MECHANICAL SPECIFICATIONS..... 4

B

6.ABSOLUTE MAXIMUM RATINGS..... 5

7.RECOMMENDED OPERATING CONDITIONS 5

8.ELECTRICAL SPECIFICATIONS 6

9.OPTICAL SPECIFICATIONS 8

10.INTERFACE SPECIFICATIONS

10-1.Signal descriptions 12

10-2.Color Data Assignment 15

10-3.Input Signal Timing 16

C

10-4.Correspondence between Data and Display Position 18

10-5.Power Supply Sequence 18

11.BACKLIGHT SPECIFICATIONS

11-1.Pin Configuration for Backlight 19

11-2.CCFL 19

11-3.Life 19

11-4.Lamp Assembly Set (for Replacement) 19

12.APPEARANCE SPECIFICATIONS

D

12-1.Zone 20

12-2.Bright Spot..... 20

12-3.Test Condition..... 20

12-4.Standard 20

13.ENVIRONMENTAL SPECIFICATIONS 23

14.INDICATIONS..... 24

15.PACKAGING 24

16.WARRANTY..... 29

17.PRECAUTIONS 29

18.PRECAUTIONS FOR USE..... 32

19.MISCELLANEOUS..... 32

A

B

C

D

E

DOCUMENT CONTROL SECTION

DATE

F

FLC43XWC8V-02

Tech Bes LCD-00149

CUST.

04 20021205

Total revision

EDIT

DATE

DESIG.

CHECK

APPR.

DESCRIPTION

FUJITSU DISPLAY TECHNOLOGIES

CORPORATION

STANDARD

2 /

DESIG.

CHECK

APPR.

1. APPLICATIONS

This specification is applied to the 17.0 in. XGA-WIDE supported TFT-LCD module.

2. PRODUCT NAME AND MODEL NAME

2-1. Product Name : LCD Module

2-2. Model Name : FLC43XWC8V-02

3. OVERVIEW

This LCD module has a TFT active matrix type liquid crystal panel 1280×768 pixels, and diagonal size of 43cm (17.0-inch). This module supports 1280×768 XGA-WIDE mode (Non-interlace).

This LCD has a XGA-WIDE-capable 1ch-LVDS interface and can display 16 million colors. By timing control signal, images are displayed on the screen at given value under specified timing.

Control signals to this LCD module are ENAB (Data enable signal), DCLK signal and RGB data signal. Data signal is transmitted with single port. (8 bit for each R, G, B)

The power supply of this LCD module is +5V DC. This module has the characteristics that apply to TCO'99.

4. CONFIGURATION

This LCD module consists of a color TFT-LCD panel that mounted with TFT driver ICs, a cold-cathode fluorescent tube back-light, a LVDS interface PCB, a structure and a bezel. And these components are integrated in a LCD module.

Cold-cathode fluorescent tube and lamp holder are replaceable.

Fig.4-1 shows a block diagram of this LCD module.

DOCUMENT CONTROL SECTION
DATE

						FLC43XWC8V-02	
						Tech Bes LCD-00149	
						CUST.	
03	20020924				Add ③ (application of TCO'99)		
EDIT	DATE	DESIG.	CHECK	APPR.	DESCRIPTION		FUJITSU DISPLAY TECHNOLOGIES CORPORATION
							3 /

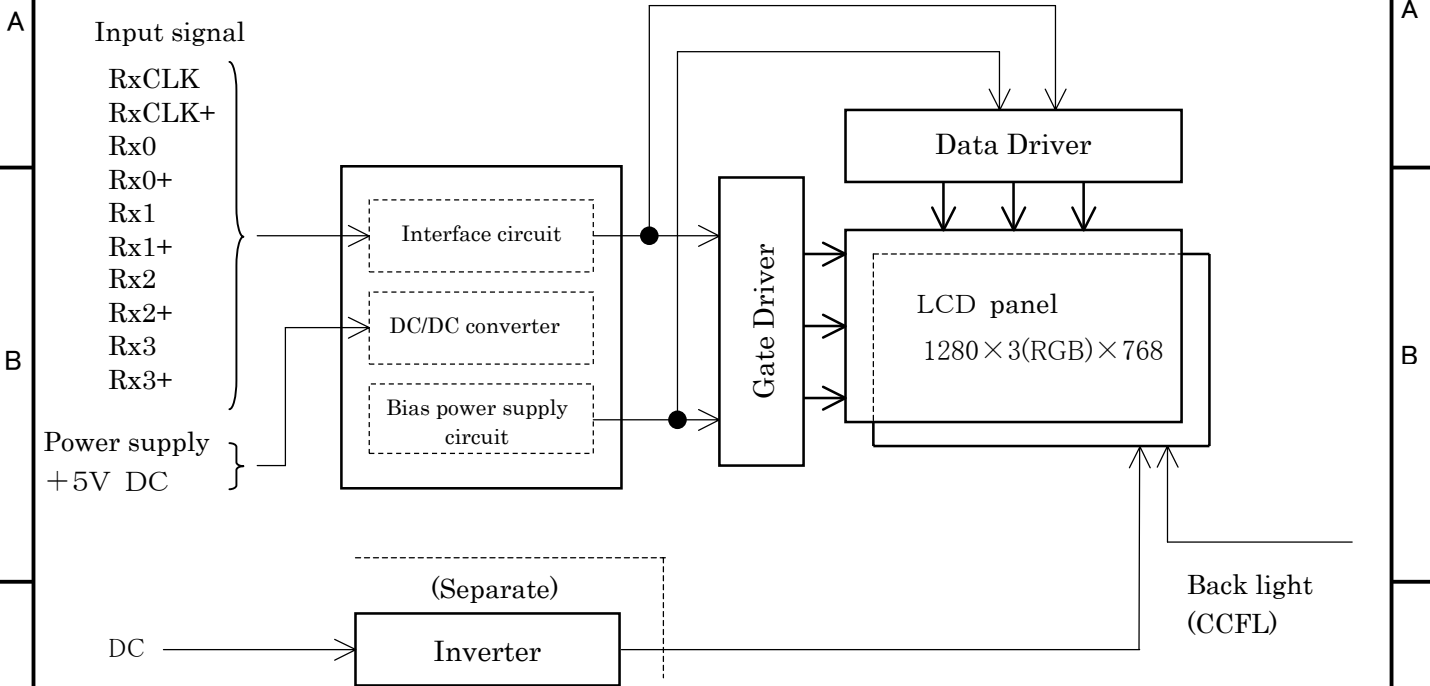


Figure 4-1. Block Diagram

5. MECHANICAL SPECIFICATIONS

Table 5-1 shows the mechanical specifications of this LCD module.

Table 5-1. Mechanical Specifications

Item	Specifications	Unit	Remark
Dimensions	413.8×263.5×18.4(TYP.)	mm	Edge type backlight is used. (φ2.6 CCFL×4)
Display Resolution	(1280×3) ×768	—	
Display Dot Area	369.6×221.76	mm	Outward Appearance is shown at page 32 and 33.
Dot Pitch	(0.09625×3) ×0.28875	mm	
Aspect Ratio	1 : 1	—	
Weight	2,000 max	g	
FG-SG	Short circuit	—	

DOCUMENT CONTROL SECTION

DATE

						FLC43XWC8V-02	
						Tech Bes LCD-00149	
						CUST.	
02	20020807					Change page No. of outline drawing	
EDIT	DATE	DESIG.	CHECK	APPR.	DESCRIPTION		
		DESIG.		CHECK		APPR.	
						FUJITSU DISPLAY TECHNOLOGIES CORPORATION	
						4 /	

6. ABSOLUTE MAXIMUM RATINGS

Table 6-1 shows the absolute maximum rating of this LCD module.

Table 6-1. Absolute Maximum Ratings

Item	Symbol	MIN.	TYP.	MAX.	Unit
Supply Voltage	V _{CC}	- 0.3	—	6.0	V
Input Voltage	V _{IN}	- 0.3	—	V _{CC} +0.3	V

7. RECOMMENDED OPERATING CONDITIONS

Table 7-1 shows the recommended operating conditions of this LCD module.

Table 7-1. Recommended Operating Conditions

Item	Symbol	MIN.	TYP.	MAX.	Unit
Supply Voltage	V _{CC}	4.75	5.0	5.25	V
Ripple Voltage (V _{CC})	V _{RP}	—	—	100	mVp-p

DOCUMENT CONTROL SECTION

DATE

						FLC43XWC8V-02	
						Tech Bes LCD-00149	
						CUST.	
EDIT	DATE	DESIG.	CHECK	APPR.	DESCRIPTION	FUJITSU DISPLAY TECHNOLOGIES CORPORATION	
DESIG.			CHECK		APPR.	5 /	

8. ELECTRICAL SPECIFICATIONS

Table 8-1 shows the electrical specifications of this LCD module.

Table 8-1. Electrical Specifications

Item	Symbol	Condition	MIN.	TYP.	MAX.	Unit	Remark
Supply Current	I _{CC}	V _{CC} =+5.0±0.25V V _{SS} =0V	—	(600) 680④	(1000) 900④	mA	*1
“H” Level Logic Input Voltage	V _{IH}	DCLK=32.498MHz	0.7× V _{CC}	—	V _{CC} + 0.3	V	*2
“L” Level Logic Input Voltage	V _{IL}		GND	—	0.3× V _{CC}	V	*2
BACK LIGHT CCFL Turn on Voltage	V _S	f _L =50kHz, T _a =25°C	—	1230	1600	V _{rms}	
		f _L =50kHz, T _a =0°C	—	—	1600		
Lighting Voltage	V _L	f _L =50kHz I _L =10.5mA	590	630	670	V _{rms}	*4
Lighting Frequency	f _L	V _L = 580 630④ V _{rms}	40	50	60	kHz	
*3 Tube Current	I _L	f _L =50kHz V _L = 580 630④ V _{rms}	9.5	10.5	11.0	mArms	*4

(*1) Typical current value is measured when gray scale (vertical 256 levels) is displayed at V_{CC}=5.0V.

Maximum current value is measured when stripes with respect to each RGB dot are displayed at V_{CC}=5.0V.

Without rush current.

(*2) Timing control circuit input voltage

(*3) Backlight specifications are valid when using a suitable inverter such as the “FLCV-15” of FDTC.

(*4) Tube current (I_L) shows the value of the current and voltage that is consumed at one lamp. (4 tubes/unit)

This LCD module has 4 lamps. Each 2 lamps are placed at upper and lower side of the display.

2 lamps are connected in parallel. Each low voltage terminals (GND side) are bound into 1 line cable.

(See 11-1. Pin configuration for backlight)

DOCUMENT CONTROL SECTION

DATE

						FLC43XWC8V-02	
04	20021205				Change the values of ④ parts	Tech Bes LCD-00149	
02	20020807				Correct backlight spec.	CUST.	
EDIT	DATE	DESIG.	CHECK	APPR.	DESCRIPTION	FUJITSU DISPLAY TECHNOLOGIES CORPORATION	
DESIG.			CHECK		APPR.	6 /	

Note 1) Measurement Circuit

Based on Fig.8-1.

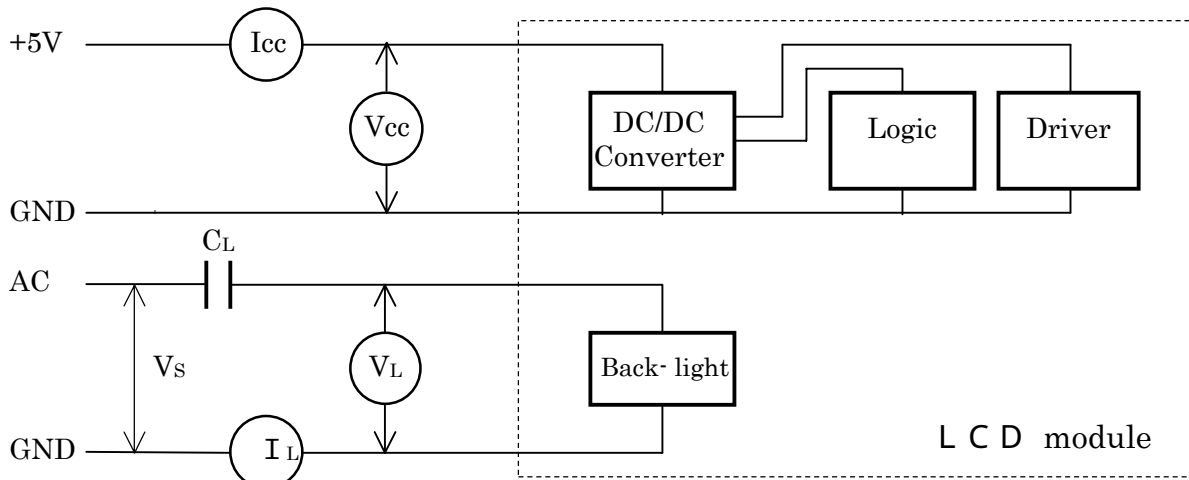


Fig.8-1. Measurement Circuit

Note 2) Equivalent Circuit

Based on Fig.8-2 (a), (b).

Input signals(LVDS-1ch)

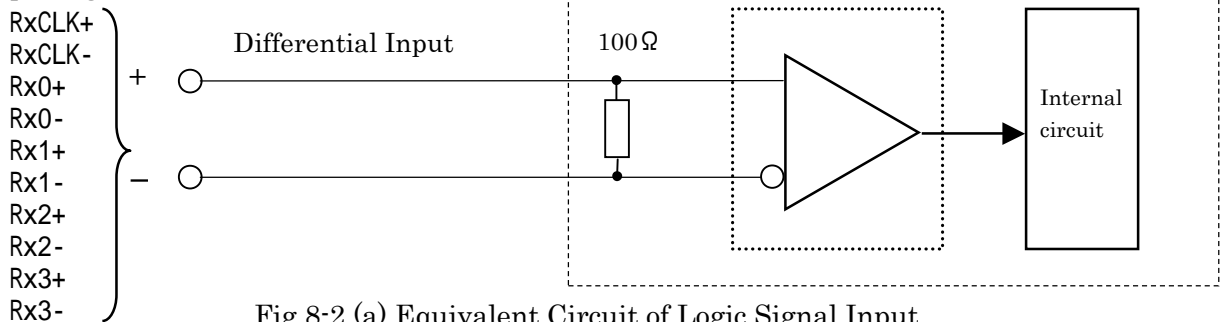
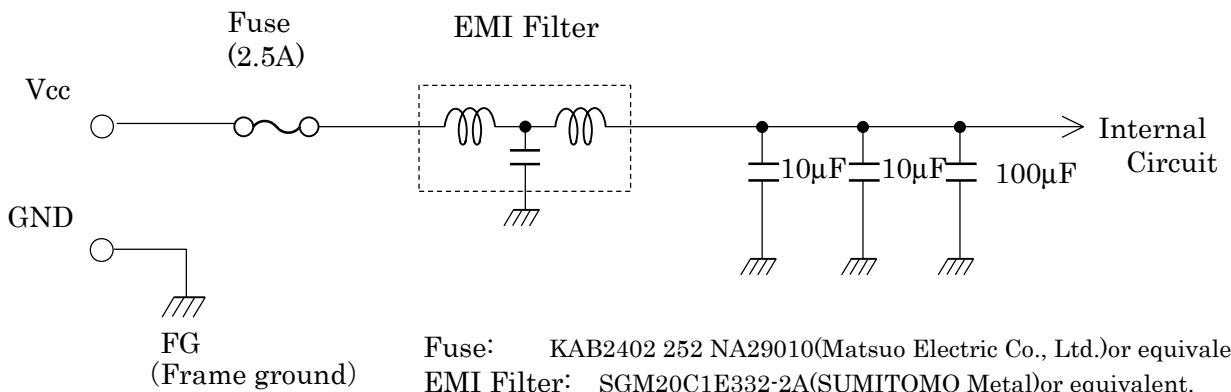


Fig.8-2 (a) Equivalent Circuit of Logic Signal Input



Fuse: KAB2402 252 NA29010(Matsuo Electric Co., Ltd.)or equivalent.
EMI Filter: SGM20C1E332-2A(SUMITOMO Metal)or equivalent.

Fig.8-2 (b) Equivalent Circuit of Power Supply

DOCUMENT CONTROL SECTION
DATE

						FLC43XWC8V-02	
						Tech Bes LCD-00149	
04 20021205						Add ④parts in Fig.8-2(b)	
EDIT	DATE	DESIG.	CHECK	APPR.	DESCRIPTION	FUJITSU DISPLAY TECHNOLOGIES CORPORATION	CUST.
DESIG.			CHECK		APPR.		7 /

9. OPTICAL SPECIFICATIONS

Table 9-1 shows the optical specifications of this LCD module.

Table 9-1. Optical Specifications

Ta=25°C

Item	Symbol	Condition	Specifications			Unit	Remark			
			MIN.	TYP.	MAX.			Note		
Visual Angle	Horizontal	$\theta_{L,R}$	CR \geq 10	$\theta_{U,D}=0^\circ$	85	—	—	deg	(1)(2) (3)(5) (6)	
	Vertical	$\theta_{U,D}$		$\theta_{L,R}=0^\circ$	85	—	—	deg		
Contrast Ratio		CR	$\theta_{L,R,U,D}=0^\circ$		210 350	600	—	—	White/ Black	(1)(2) (3)(5)
Response Time(ON) (B W)		t_{on}	$\theta_{L,R,U,D}=0^\circ$	Ta=25°C	—	15	30	ms	(1) (4) (5)	
				Ta=0°C	—	50	100	ms		
Response Time(OFF) (W B)		t_{off}	$\theta_{L,R,U,D}=0^\circ$	Ta=25°C	—	10	25	ms	(1) (4) (5)	
				Ta=0°C	—	50	100	ms		
Brightness		I	$\theta_{L,R,U,D}=0^\circ$ V _{CC} =5V, I _L =10.5mA (at maximum brightness)		400 350	500 450	—	cd/m ²	White *1	(1)(5)
Brightness Uniformity		ΔI			70 75	—	—	%		(1)(5) (7)
Chromaticity	W	X					0.283	0.313	0.343	—
		Y			0.299	0.329	0.359	—		
	R	(x, y)	Red		0.65, 0.34 Typ.				(1) (5)	
	G		Green		0.30, 0.59 Typ.					
	B		Blue		0.15, 0.14 Typ.					
② -curve					2.4 Typ.					
LCD Panel Type					TFT Color					
Display Mode					Normally Black VA					
Wide Viewing Angle Technology					MVA-Premium					
Optimum Viewing Angle					— (symmetry)					(6)
Display Color					16 million (each 6-bit+2-bit FRC)					
Color of non-display area					Black					
Surface Treatment					Anti-glare (Haze value:25%, 3H(at weight of 300g))					

(*1) Specified value is measured in 20~30 minutes after lighting on (LCD module single).
A required value may not be achieved on condition that LCD module is built in the cabinet because of its radiation.

(Note1) •CS-1000 (MINOLTA Co., Ltd.) , BM-5A(Topcon) or equivalent luminance colorimeter should be used for the measurement.
Field=2°, L=500mm

•The specified value of viewing angle, contrast, brightness, brightness uniformity and chromaticity are under the dark room condition (1lux or less).

DOCUMENT CONTROL SECTION

DATE

04	20021205				Change value of brightness uniformity	FLC43XWC8V-02		
03	20020924				Change spec. of the brightness	FLC43XWC8V-02		
					Min.value of contrast ratio	Tech Bes LCD-00149		
02	20020807				Add γ -curve value and change	CUST.		
EDIT	DATE	DESIG.	CHECK	APPR.	DESCRIPTION	FUJITSU DISPLAY TECHNOLOGIES CORPORATION		
						8 /		

Note 1) Definition of Viewing Angle (1)

Based on Fig.9-2.

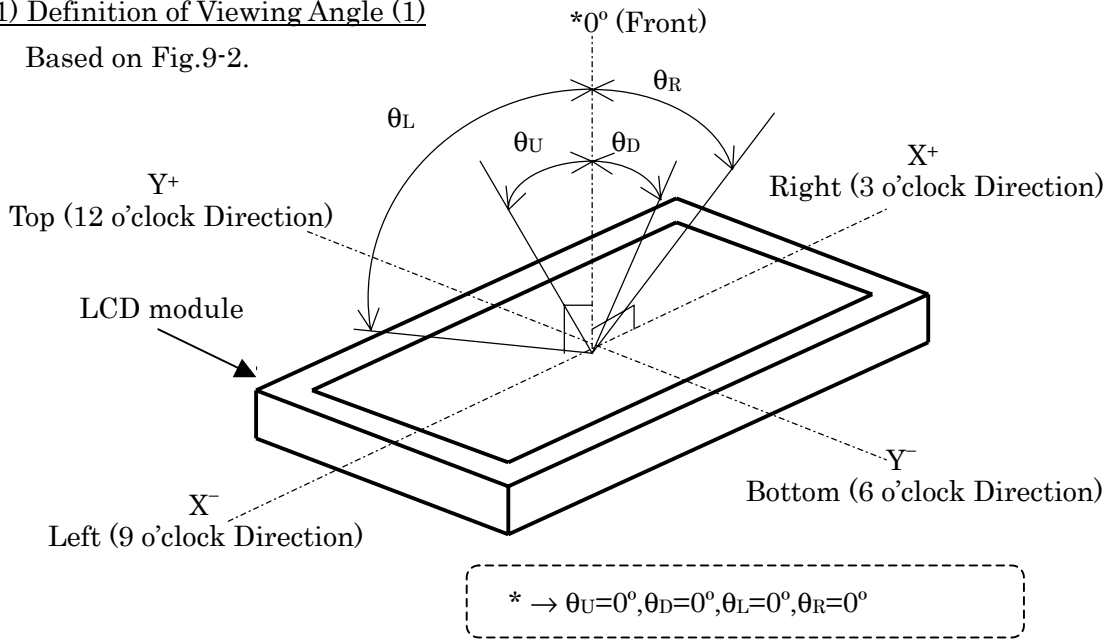


Fig.9-2. Definition of Viewing Angle (1)

Note 2) Definition of Viewing Angle (2)

Based on Fig.9-3.

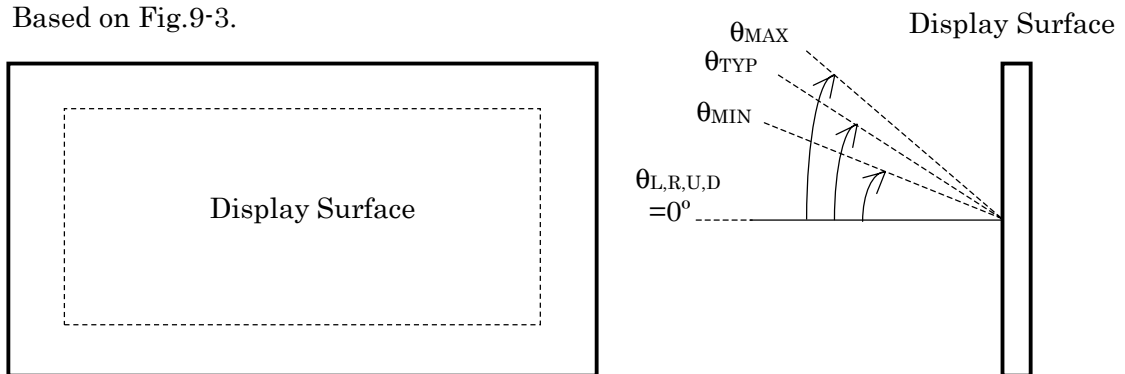


Fig.9-3. Definition of Viewing Angle (2)

Note 3) Definition of Contrast Ratio (CR)

Determined by Formula (1) based on Fig.9-4.Voltage-Brightness Characteristics.

$$= \frac{L_W \text{ (Brightness at white)}}{L_B \text{ (Brightness at black)}} \text{ ----- (1)}$$

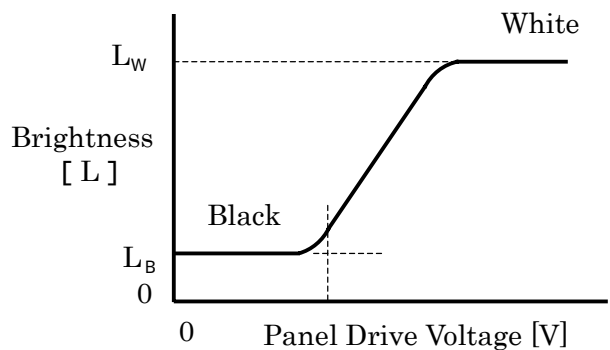


Fig.9-4. Voltage-Brightness Characteristics

DOCUMENT CONTROL SECTION

DATE

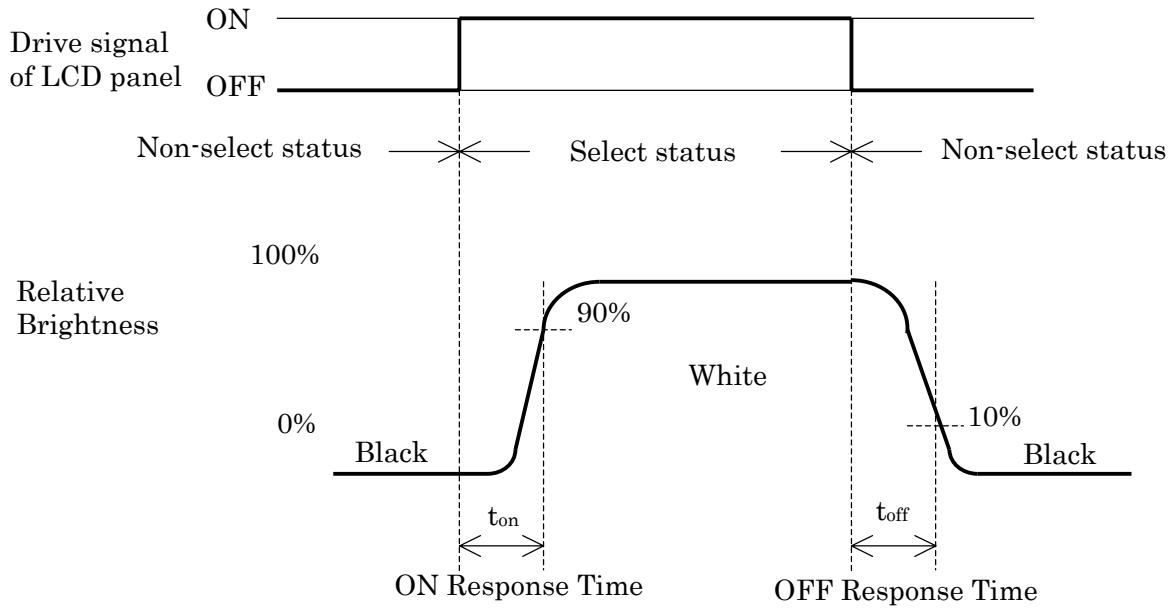
						FLC43XWC8V-02	
						Tech Bes LCD-00149	
						CUST.	
EDIT	DATE	DESIG.	CHECK	APPR.	DESCRIPTION	FUJITSU DISPLAY TECHNOLOGIES CORPORATION	
DESIG.			CHECK		APPR.	9 /	

Note 4) Definition of Response Time

Based on Fig.9-5.

A

A



B

B

Fig.9-5. Definition of Response Time

C

C

Note 5) Contrast Ratio and Response Measurement System

Based on Fig.9-6.

D

D

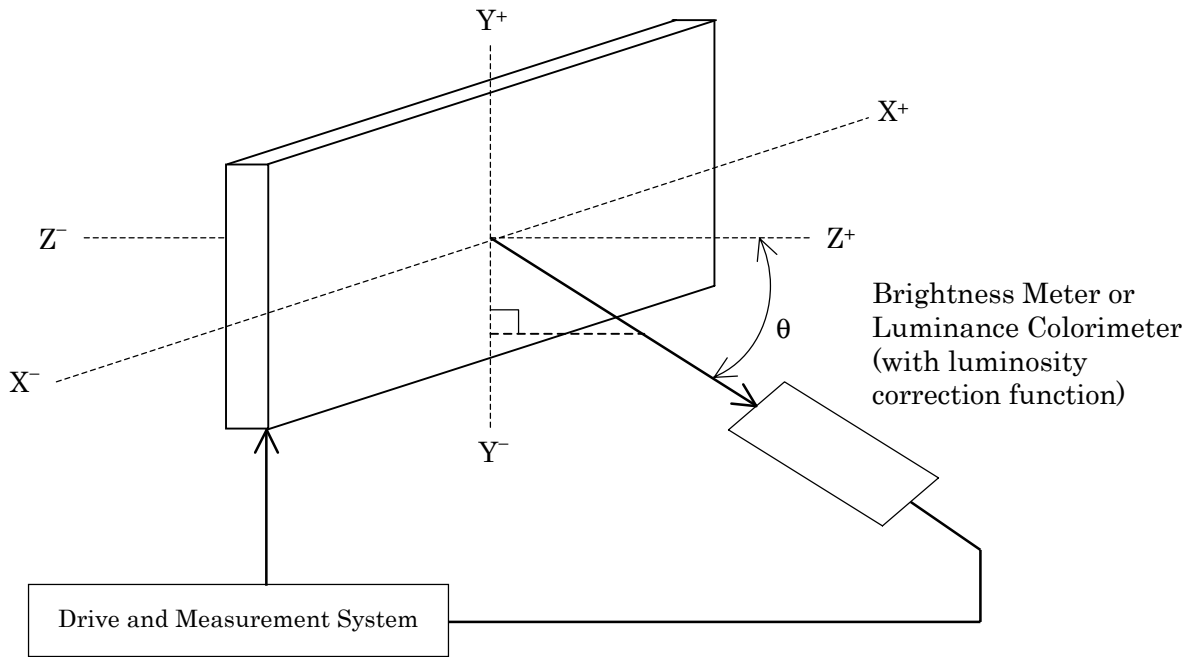


Fig.9-6. Contrast Ratio and Response Time Measurement System

DOCUMENT CONTROL SECTION

DATE

E

						FLC43XWC8V-02		
						Tech Bes LCD-00149		CUST.
EDIT	DATE	DESIG.	CHECK	APPR.	DESCRIPTION	FUJITSU DISPLAY TECHNOLOGIES CORPORATION		10/
DESIG.			CHECK	APPR.				

F

Note 6) Definition of Optimum Viewing Angle

Based on Fig.9-7.

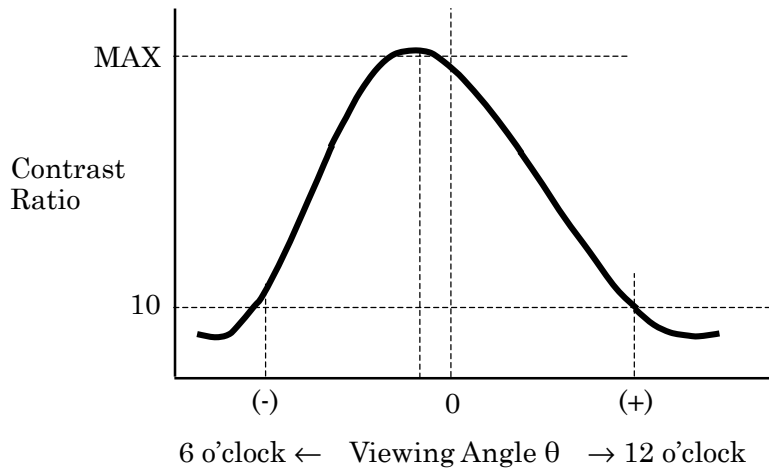


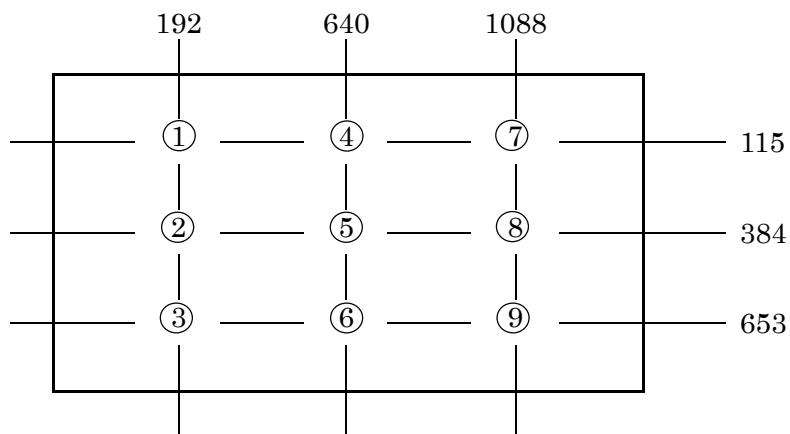
Fig.9-7. Definition of Viewing Angle

Note 7) Definition of Brightness Uniformity

Brightness uniformity is defined by the following formula.

Brightness (I1~I9) are measured at the following 9 points (① ~ ⑨) on the display area shown in Fig.9-8.

$$\text{Brightness Uniformity } (\Delta L) = \frac{|\text{Min. In}|}{|\text{Max. In}|} \times 100 (\%), n=1 \text{ to } 9$$



Note) Each measurement point (① ~ ⑨) defines the center spot of Brightness Meter view. The tolerance of measurement position is $\pm 3\text{mm}$.

Fig.9-8. Measurement Points

DOCUMENT CONTROL SECTION

DATE

						FLC43XWC8V-02	
						Tech Bes LCD-00149	
						CUST.	
EDIT	DATE	DESIG.	CHECK	APPR.	DESCRIPTION		FUJITSU DISPLAY TECHNOLOGIES CORPORATION
DESIG.			CHECK		APPR.		
						11 /	

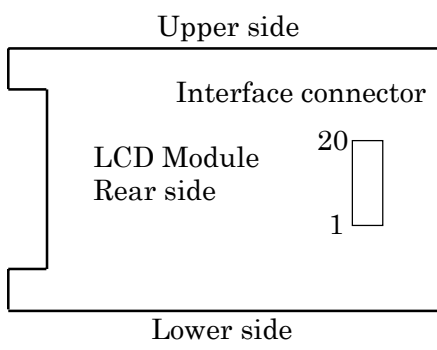
10. INTERFACE SPECIFICATIONS

10-1-1. Signal descriptions

Table 10-1 shows the description and configuration of Interface signals (CN1).

Table 10-1-1. Interface signals (CN1)

Pin No.	Symbol	I/O	Function
1	VDD	—	+5V Power suplv
2	VDD	—	+5V Power suplv
3	GND	—	Ground
4	GND	—	Ground
5	RX0-	I	LVDS Receiver Signal(-)
6	RX0+	I	LVDS Receiver Signal(+)
7	GND	—	Ground
8	RX1-	I	LVDS Receiver Signal(-)
9	RX1+	I	LVDS Receiver Signal(+)
10	GND	—	Ground
11	RX2-	I	LVDS Receiver Signal(-)
12	RX2+	I	LVDS Receiver Signal(+)
13	GND	—	Ground
14	RXCLK-	I	LVDS Receiver Clock Signal(-)
15	RXCLK+	I	LVDS Receiver Clock Signal(+)
16	GND	—	Ground
17	RX3-	I	LVDS Receiver Signal(-)
18	RX3+	I	LVDS Receiver Signal(+)
19	GND	—	Ground
20	Data Mapping Select Input	I	Low : table 10-1-2 Open or Hi : table 10-1-3



Connector : D14H-20P-1.25H(HIROSE)
 User's connector : DF14-20S-1.25 (HIROSE)

DATE DOCUMENT CONTROL SECTION

						FLC43XWC8V-02	
						Tech Bes LCD-00149	
						CUST.	
02	20020807					Total revision	
EDIT	DATE	DESIG.	CHECK	APPR.	DESCRIPTION		
DESIG.		CHECK		APPR.		FUJITSU DISPLAY TECHNOLOGIES CORPORATION	
						12/	

10-1-2. LVDS Data Mapping 1

Table 10-1-2 shows the LVDS data mapping 1.(DataMappingSelectInput = Low)

Table 10-1-2. LVDS Data Mapping 1

Transmitter (DS90CF385)		Symbol	Interface connector		Receiver (DS90CF386)		LCD Control input	
Pin	INPUT		System side	Pin LCD module	Pin	OUTPUT		
51	TxIN0	R0	TxOUT0- TxOUT0+	5 6	RX0- RX0+	27	RxOUT0	IR0
52	TxIN1	R1				29	RxOUT1	IR1
54	TxIN2	R2				30	RxOUT2	IR2
55	TxIN3	R3				32	RxOUT3	IR3
56	TxIN4	R4				33	RxOUT4	IR4
2	TxIN5	R7	TxOUT3- TxOUT3+	17 18	RX3- RX3+	34	RxOUT5	IR7
3	TxIN6	R5	TxOUT0- TxOUT0+	5 6	RX0- RX0+	35	RxOUT6	IR5
4	TxIN7	G0				37	RxOUT7	IG0
6	TxIN8	G1	TxOUT1- TxOUT1+	8 9	RX1- RX1+	38	RxOUT8	IG1
7	TxIN9	G2	39			RxOUT9	IG2	
8	TxIN10	G6	TxOUT3- TxOUT3+	17 18	RX3- RX3+	41	RxOUT10	IG6
10	TxIN11	G7				42	RxOUT11	IG7
11	TxIN12	G3	TxOUT1- TxOUT1+	8 9	RX1- RX1+	43	RxOUT12	IG3
12	TxIN13	G4				45	RxOUT13	IG4
14	TxIN14	G5				46	RxOUT14	IG5
15	TxIN15	B0				47	RxOUT15	IB0
16	TxIN16	B6				TxOUT3- TxOUT3+	17 18	RX3- RX3+
18	TxIN17	B7	50	RxOUT17	IB7			
19	TxIN18	B1	TxOUT1- TxOUT1+	8 9	RX1- RX1+	51	RxOUT18	IB1
20	TxIN19	B2	TxOUT2- TxOUT2+	11 12	RX2- RX2+	53	RxOUT19	IB2
22	TxIN20	B3				54	RxOUT20	IB3
23	TxIN21	B4				55	RxOUT21	IB4
24	TxIN22	B5				1	RxOUT22	IB5
25	TxIN23	RESERVED	TxOUT3- TxOUT3+	17 18	RX3- RX3+	2	RxOUT23	Not use
27	TxIN24	RESERVED	TxOUT2- TxOUT2+	11 12	RX2- RX2+	3	RxOUT24	Not use
28	TxIN25	RESERVED				5	RxOUT25	Not use
30	TxIN26	ENAB				6	RxOUT26	ENAB
50	TxIN27	R6	TxOUT3- TxOUT3+	17 18	RX3- RX3+	7	RxOUT27	IR6
31	TxCLKIN	DCLK	TxCLKOUT-	14	RXCLK-	26	RxCLKOUT	DCLK
			TxCLKOUT+	15	RXCLK+			

DOCUMENT CONTROL SECTION

DATE

						FLC43XWC8V-02		
						Tech Bes LCD-00149		CUST.
02	20020807				Total revision			
EDIT	DATE	DESIG.	CHECK	APPR.	DESCRIPTION			
DESIG.			CHECK		APPR.		FUJITSU DISPLAY TECHNOLOGIES CORPORATION	
							13/	

10-1-3. LVDS Data Mapping 2

Table 10-1-3 shows the LVDS data mapping 2.(DataMappingSelectInput = Open or Hi)

Table 10-1-3. LVDS Data Mapping 2

Transmitter (DS90CF385)		Symbol	Interface connector			Receiver (DS90CF386)		LCD Control input
Pin	INPUT		System side	Pin	LCD module	Pin	OUTPUT	
51	TxIN0	R2	TxOUT0- TxOUT0+	5 6	RX0- RX0+	27	RxOUT0	IR2
52	TxIN1	R3				29	RxOUT1	IR3
54	TxIN2	R4				30	RxOUT2	IR4
55	TxIN3	R5				32	RxOUT3	IR5
56	TxIN4	R6				33	RxOUT4	IR6
2	TxIN5	R1	TxOUT3- TxOUT3+	17 18	RX3- RX3+	34	RxOUT5	IR1
3	TxIN6	R7	TxOUT0- TxOUT0+	5 6	RX0- RX0+	35 37	RxOUT6 RxOUT7	IR7 IG2
4	TxIN7	G2	TxOUT1- TxOUT1+	8 9	RX1- RX1+	38	RxOUT8	IG3
6	TxIN8	G3				39	RxOUT9	IG4
7	TxIN9	G4				41 42	RxOUT10 RxOUT11	IG0 IG1
8	TxIN10	G0	17	RX3- RX3+	41			
10	TxIN11	G1	TxOUT3- TxOUT3+	18	RX3- RX3+	42	RxOUT11	IG1
11	TxIN12	G5	TxOUT1- TxOUT1+	8 9	RX1- RX1+	43	RxOUT12	IG5
12	TxIN13	G6				45	RxOUT13	IG6
14	TxIN14	G7				46	RxOUT14	IG7
15	TxIN15	B2	47 49	RxOUT15 RxOUT16	IB2 IB0			
16	TxIN16	B0				17	RX3- RX3+	49
18	TxIN17	B1	TxOUT3- TxOUT3+	18	RX3- RX3+	50	RxOUT17	IB1
19	TxIN18	B3	TxOUT1- TxOUT1+	8 9	RX1- RX1+	51	RxOUT18	IB3
20	TxIN19	B4	TxOUT2- TxOUT2+	11 12	RX2- RX2+	53	RxOUT19	IB4
22	TxIN20	B5				54	RxOUT20	IB5
23	TxIN21	B6				55	RxOUT21	IB6
24	TxIN22	B7				1	RxOUT22	IB7
25	TxIN23	RESERVED	TxOUT3- TxOUT3+	17 18	RX3- RX3+	2	RxOUT23	Not use
27	TxIN24	RESERVED	TxOUT2- TxOUT2+	11 12	RX2- RX2+	3	RxOUT24	Not use
28	TxIN25	RESERVED				5	RxOUT25	Not use
30	TxIN26	ENAB				6	RxOUT26	ENAB
50	TxIN27	RO	TxOUT3- TxOUT3+	17 18	RX3- RX3+	7	RxOUT27	IRO
31	TxCLKIN	DCLK	TxCLKOUT- TxCLKOUT+	14 15	RXCLK- RXCLK+	26	RxCLKOUT	DCLK

DOCUMENT CONTROL SECTION

DATE

						FLC43XWC8V-02	
						Tech Bes LCD-00149	
02	20020807				Add this page	CUST.	
EDIT	DATE	DESIG.	CHECK	APPR.	DESCRIPTION	FUJITSU DISPLAY TECHNOLOGIES CORPORATION	
			CHECK		APPR.	14/	

10-2. Color Data Assignment

Table 10-2 shows the color data assignment.

Table 10-2. Color Data Assignment

Color and Brightness		Input data (0 : Low level , 1 : High level)																							
		R7	R6	R5	R4	R3	R2	R1	R0	G7	G6	G5	G4	G3	G2	G1	G0	B7	B6	B5	B4	B3	B2	B1	B0
Basic Color	Black	0	0	0	0	0	0	0	0	0	0	0	0	0	0	0	0	0	0	0	0	0	0	0	0
	Blue	0	0	0	0	0	0	0	0	0	0	0	0	0	0	0	0	1	1	1	1	1	1	1	1
	Green	0	0	0	0	0	0	0	0	0	1	1	1	1	1	1	1	0	0	0	0	0	0	0	0
	Cyan	0	0	0	0	0	0	0	0	0	1	1	1	1	1	1	1	1	1	1	1	1	1	1	1
	Red	1	1	1	1	1	1	1	1	1	0	0	0	0	0	0	0	0	0	0	0	0	0	0	0
	Magenta	1	1	1	1	1	1	1	1	1	0	0	0	0	0	0	0	0	1	1	1	1	1	1	1
	Yellow	1	1	1	1	1	1	1	1	1	1	1	1	1	1	1	1	0	0	0	0	0	0	0	0
	White	1	1	1	1	1	1	1	1	1	1	1	1	1	1	1	1	1	1	1	1	1	1	1	1
Red	Black	0	0	0	0	0	0	0	0	0	0	0	0	0	0	0	0	0	0	0	0	0	0	0	
	↑	1	0	0	0	0	0	0	0	1	0	0	0	0	0	0	0	0	0	0	0	0	0	0	
	Darker	2	0	0	0	0	0	0	1	0	0	0	0	0	0	0	0	0	0	0	0	0	0	0	
	↑	⋮	⋮	⋮	⋮	⋮	⋮	⋮	⋮	⋮	⋮	⋮	⋮	⋮	⋮	⋮	⋮	⋮	⋮	⋮	⋮	⋮	⋮		
	↓	⋮	⋮	⋮	⋮	⋮	⋮	⋮	⋮	⋮	⋮	⋮	⋮	⋮	⋮	⋮	⋮	⋮	⋮	⋮	⋮	⋮	⋮		
	Brighter	253	1	1	1	1	1	0	1	0	0	0	0	0	0	0	0	0	0	0	0	0	0	0	
Green	Black	0	0	0	0	0	0	0	0	0	0	0	0	0	0	0	0	0	0	0	0	0	0	0	
	↑	1	0	0	0	0	0	0	0	0	0	0	0	0	0	1	0	0	0	0	0	0	0	0	
	Darker	2	0	0	0	0	0	0	0	0	0	0	0	0	0	0	0	0	0	0	0	0	0	0	
	↑	⋮	⋮	⋮	⋮	⋮	⋮	⋮	⋮	⋮	⋮	⋮	⋮	⋮	⋮	⋮	⋮	⋮	⋮	⋮	⋮	⋮	⋮		
	↓	⋮	⋮	⋮	⋮	⋮	⋮	⋮	⋮	⋮	⋮	⋮	⋮	⋮	⋮	⋮	⋮	⋮	⋮	⋮	⋮	⋮	⋮		
	Brighter	253	0	0	0	0	0	0	0	0	1	1	1	1	1	1	0	1	0	0	0	0	0	0	
Blue	Black	0	0	0	0	0	0	0	0	0	0	0	0	0	0	0	0	0	0	0	0	0	0	0	
	↑	1	0	0	0	0	0	0	0	0	0	0	0	0	0	0	0	0	0	0	0	0	1	0	
	Darker	2	0	0	0	0	0	0	0	0	0	0	0	0	0	0	0	0	0	0	0	0	1	0	
	↑	⋮	⋮	⋮	⋮	⋮	⋮	⋮	⋮	⋮	⋮	⋮	⋮	⋮	⋮	⋮	⋮	⋮	⋮	⋮	⋮	⋮	⋮		
	↓	⋮	⋮	⋮	⋮	⋮	⋮	⋮	⋮	⋮	⋮	⋮	⋮	⋮	⋮	⋮	⋮	⋮	⋮	⋮	⋮	⋮	⋮		
	Brighter	253	0	0	0	0	0	0	0	0	0	0	0	0	0	0	0	1	1	1	1	1	1	0	1
Blue	↓	254	0	0	0	0	0	0	0	0	0	0	0	0	0	0	1	1	1	1	1	1	0	1	
	Blue	255	0	0	0	0	0	0	0	0	0	0	0	0	0	0	1	1	1	1	1	1	1	0	
		0	0	0	0	0	0	0	0	0	0	0	0	0	0	0	1	1	1	1	1	1	1	1	

- Note.1) Definition of gray scale : Color (n) ---"n" indicates gray scale level.
The gray scale is brighter as the number is larger.
- Note.2) Data: 1: High, 0: Low
- Note.3) By inputting 8-bit data signal for each red, green and blue, this module can display 256 gray scale independently for each color.
Therefore, the module is able to display 16 million colors. Color data are 24 lines.

DOCUMENT CONTROL SECTION

DATE

						FLC43XWC8V-02						
						Tech Bes LCD-00149						CUST.
EDIT	DATE	DESIG.	CHECK	APPR.	DESCRIPTION	FUJITSU DISPLAY TECHNOLOGIES CORPORATION						15/
DESIG.			CHECK		APPR.							

10-3. Input Signal Timing

Table 10-3 and Fig.10-3 shows the input signal timing.

Table 10-3. Timing Characteristics

(T=0~50°C, Vcc=5±0.25V)

Item		Symbol	Min.	Typ.	Max.	Unit	Remark		
DCLK signal (Clock) ②	Period	Tc	12.500④	15.382	20.000	ns	fc=1/Tc *1		
	Frequency	fc	50.00	65.01	80.00④	MHz			
	Duty	Tch/Tc	45	50	55	%			
	High time	TclkH	5.0	—	—	ns			
	Low time	TclkL	5.0	—	—	ns			
	Rise time	Tclkr	—	—	5.0	ns			
	Fall time	Tclkf	—	—	5.0	ns			
DCLK-Data Timing	Setup time	Tset	(4.5) 4④	—	—	ns			
	Hold time	Thold	(6.5) 4④	—	—	ns			
Data-ENAB timing	Horizontal	Period	Th	1340	1344	(3012) 1688④	DCLK	*2,3 ④	
		Frequency	fh	46.6	48.3	55.5④	kHz		
		Display period	Thd	1280	1280	1280	DCLK		
	Vertical	Period	Tv	776	806	806④	Th		16.67ms
		Frequency	1/Tv	(50)④	60	(75)④	Hz		WXGA mode ④
		Display period	Tvd	768	768	768	Th		*2,3
Data-ENAB timing		Tdn	0	0	0	DCLK	*4		

*1) DCLK signal input must be valid while power supply is applied.

*2) Display position is specified by the ENAB signal only.

- Horizontal display position is specified by the rise of ENAB signal. The data which is latched by the falling edge of 1st DCLK right after the rise of ENAB, is displayed on the left edge of the screen.
- Vertical display position is specified by the rise of ENAB after a “Low” level period equivalent to eight times of horizontal period. The 1st data corresponding to one horizontal line after the rise of ENAB is displayed at the top line of screen.

*3) If a period of ENAB “High” is less than 1280 DCLK or less than 768 lines, the rest of the screen displays black.

*4) The display position does not fit to the screen if a period of ENAB “High” and the effective data period do not synchronize with each other.

						FLC43XWC8V-02	
04	20021205					Change ④parts in Table10-3	
02	20020807					Correct values of DCLK frequency	
EDIT	DATE	DESIG.	CHECK	APPR.	DESCRIPTION		FUJITSU DISPLAY TECHNOLOGIES CORPORATION
DESIG.			CHECK		APPR.		16/

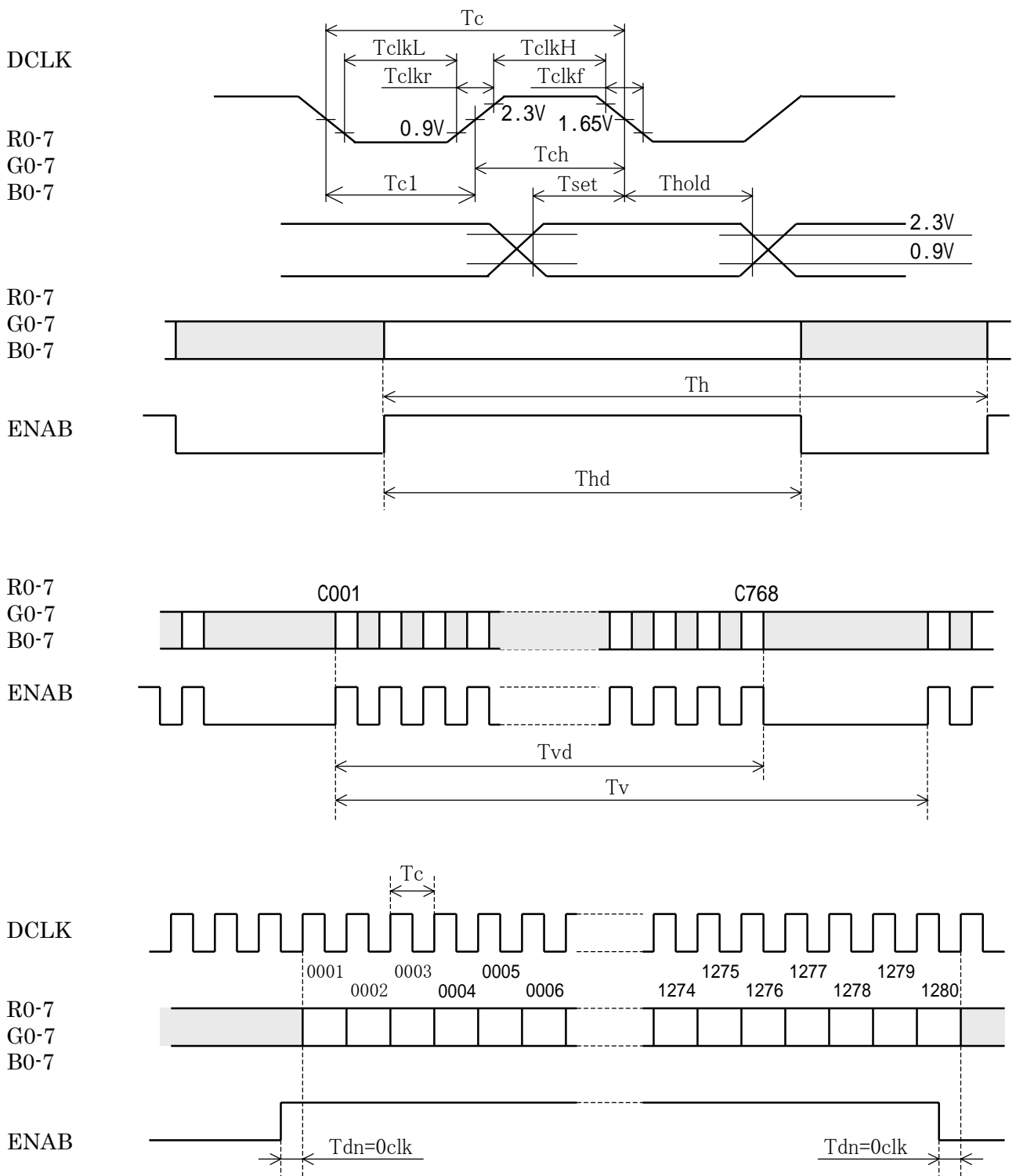


Fig.10-3.Input Signal Timing Chart

DATE DOCUMENT CONTROL SECTION

						FLC43XWC8V-02		
						Tech Bes LCD-00149		CUST.
EDIT	DATE	DESIG.	CHECK	APPR.	DESCRIPTION	FUJITSU DISPLAY TECHNOLOGIES CORPORATION		17/
DESIG.			CHECK		APPR.			

10-4. Correspondence between Data and Display Position

Fig.10-4 shows the Correspondence between Data and Display Position.

	S0001	S0002	S0003	S0004	S0005	S0006	S0007	S0008	-----	S3839	S3840
C001	R 0001	G 0001	B 0001	R 0002	G 0002	B 0002	R 0003	G 0003		G 1280	B 1280
C768	R 0001	G 0001	B 0001	R 0002	G 0002	B 0002	R 0003	G 0003		G 1280	B 1280

Fig.10-4. Correspondence Data and Display Position

10-5. Power Supply Sequence

The sequence of input signals and On/Off of the power supply of this LCD module should be in the specification shown in Fig.10-5 to prevent latch-up of the driver ICs and DC driving of the LCD panel.

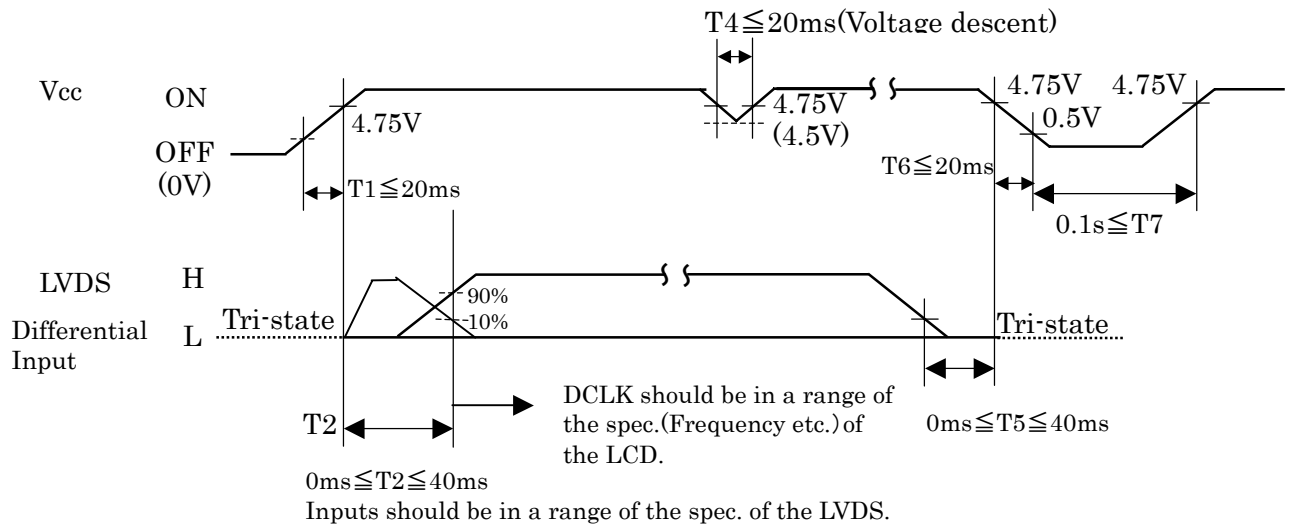


Fig.10-5. Power Supply Sequence

DOCUMENT CONTROL SECTION

						FLC43XWC8V-02	
						Tech Bes LCD-00149	
						CUST.	
EDIT	DATE	DESIG.	CHECK	APPR.	DESCRIPTION	FUJITSU DISPLAY TECHNOLOGIES CORPORATION	
DESIG.			CHECK	APPR.		18/	

11. BACKLIGHT SPECIFICATIONS

11-1. Pin Configuration for Backlight

Table 11-1(a) and 11-1(b) shows the description and pin assignment of the connectors (CN-A and B) for the Backlight of this LCD module.

Table 11-1(a) Pin Assignment of CN-A

Table 11-1(b) Pin Assignment of CN-B

Pin	Signal	Function	Cable color
1	VL1	Power supply for CCFL 1	Red
2	VL2	Power supply for CCFL 2	Red
3	NC		-
4	GND	Ground (for VL1, 2)	White

Pin	Signal	Function	Cable color
1	VL3	Power supply for CCFL 3	Red
2	VL4	Power supply for CCFL 4	Red
3	NC		-
4	GND	Ground (for VL3, 4)	White

Connector : Housing : BHR-04VS-1
 : Contact : SBH-001T-P0.5
 User's Connector: Post with base : SM04(4.0)B-BHS-1-TB
 Supplier : Japan Solderless Terminal Trading Company LTD. (J.S.T.)

11-2. CCFL

Supplier : SANKEN ELECTRIC CO., LTD Part No. SD26E3850E8350B3113000

11-3. Life

The life of the backlight is a minimum of 25,000 hours at the following conditions.

(1) Working conditions

Ambient temperature : 25±5°C
 Tube current(I_L) : (10.5mA or less)

(2) Definition of life

Brightness becomes 50% or below 50% of the minimum brightness value shown in Table 9-1.
 The lamp cannot be lit by the breakdown voltage of 1600Vrms.
 Lamp is flashing.

11-4. Lamp Assembly set (for replacement)

Lamp Assembly set (with charge) is prepared for maintenance.
 This set consists of an upper lamp assembly and a lower lamp assembly.

Type number : FLCL-21

DOCUMENT CONTROL SECTION

DATE

						FLC43XWC8V-02	
						Tech Bes LCD-00149	
						CUST.	
EDIT	DATE	DESIG.	CHECK	APPR.	DESCRIPTION	FUJITSU DISPLAY TECHNOLOGIES CORPORATION	
DESIG.			CHECK		APPR.	19/	

12. APPEARANCE SPECIFICATIONS

12-1. Zone

- Inside display dot area (369.6× 221.8mm)
- Display dot area means active area.
- One pixel consists of 3 dots (red, green and blue).
- Foreign particle and scratch unharmed to display image, such as the foreign particle under polarizer film but outside of the display area and scratch on metal bezel, backlight module or polarizer film out of the display area, etc., are not counted.

12-2. Bright spots

- (1) Bright spots by the defect of TFT.
 - Visible under bias of 2% ND filter High bright spot R•G
 - Visible under 5% but invisible under 2% ND filter Low bright spot R•G•B
 - Invisible under bias of 5% ND filter Not counted
- (2) Bright spots by the light passing through tears, breaks, etc in color filter.
 - Exceed size of a half dot High bright spot
 - A half dot or less Not counted
- (3) Bright spots by the light passing through tears, breaks, etc in chromium mask.
 - Exceed 50µm High bright spot
 - 50µm or less Not counted

12-3. Test condition

- Inspector must observe the LCD screen from the normal direction under the illumination by a single 20W fluorescent lamp. The distance between the LCD screen and the inspector should be a height of 50cm above the worktable. The vertical illuminance is 300 to 600lux (reference value).
- Bright spot should be counted under entire black screen.
- Dark spot should be counted under entire white screen.
- Frame frequency should be 60Hz.

12-4. Specifications

Table 12-4 shows the appearance standard.

- (Note1) Please do not mistake a single bright spot for a bright spot connection due to Cs(supplemental capacitance) line at the center of each dot.
- (Note2) If a pixel is dark partially, it connects into the number of dark spots in accordance with following rule.
- $S < 1/3$: Not count. Only one of 4 dark connection is allowed.
 - $1/3 \leq S < 2/3$: Considered as 0.5 dot.
 - $2/3 \leq S$: Considered as 1 dot.
- (S=Dark spot size/dot size)
- (Note3) Min. distance between foreign particles : 100mm

DOCUMENT CONTROL SECTION

DATE

										FLC43XWC8V-02		
										Tech Bes LCD-00149		CUST.
03	20020924									Add (Note3)		
EDIT	DATE	DESIG.	CHECK	APPR.	DESCRIPTION			FUJITSU DISPLAY TECHNOLOGIES CORPORATION		20/		

【FLC43XWC8V-02】

No.	Item	Judgment method and standard		
1	Bright spot (high and Low)	≤ 3 dots		(Note 1)
2	Bright spot connection (high and low)	≤ 1 pair (2 dot connection in horizontal)		(Note 1)
3	Total of bright spot	≤ 3 dots		
4	Dark spot	≤ 5 dots		(Note 2)
5	Dark spot connection	≤ 2 pairs (2 dot connection in horizontal)		(Note 2)
6	Total of dark spot	≤ 5 dots (Note 2)		
7	Total of dot defect(bright and dark)	≤ 8 dots		
8	Distance of bright spot	high-high high	≥ 15 mm	
		others	≥ 5 mm	
9	Distance of dark spot	≥ 5 mm		
10	Scratch on polarizer	$W \leq 0.03$	————	Not count
		$0.03 < W \leq 0.05$	$L \leq 6$	Not count
			$6 < L \leq 12$	≤ 5
		$0.05 < W \leq 0.10$	$12 < L$	0
			$L \leq 0.6$	Not count
			$0.6 < L \leq 5$	≤ 3
		$0.15 < W \leq 0.3$	$5 < L$	0
$W \times L \leq 0.4$	≤ 1			
	$0.4 < W \times L$	0		
11	Dent on polarizer	$D \leq 0.3$		Not count
		$0.3 < D \leq 0.4$		≤ 6
		$0.4 < D$		0
12	Bubble in polarizer	$D \leq 0.3$		Not count
		$D \leq 0.5$		Not count
		$0.5 < D$		0
13	Spot (black/white) by foreign particle	$D < 0.5$		≤ 5
		$0.5 \leq D$		0
14	Bright spot by fiber foreign particle (under the polarizer. i.e. between the polarizer and the glass) (Note 3)	$D \leq 0.2$		Not count
		$0.2 < D \leq 0.3$		≤ 2
		$0.3 < D \leq 0.35$		1
		$0.35 < D$		0
15	Line (black /white), scratch by fiber foreign particle	$W \leq 0.03$	————	Not count
		$0.03 < W \leq 0.05$	$L \leq 6$	Not count
			$6 < L \leq 12$	≤ 5
		$0.05 < W \leq 0.1$	$12 < L$	0
			$L \leq 0.6$	Not count
			$0.6 < L \leq 5$	≤ 3
			$5 < L$	0
$0.1 < W$	$(W+L)/2 = D$	Count as spot (black/white) of No.13		

D:Average diameter [mm], W:Width [mm], L:Length [mm], S=(bright spot size)/(dot size)

DOCUMENT CONTROL SECTION

DATE

						FLC43XWC8V-02		
04	20021205					Total revision	Tech Bes LCD-00149	CUST.
03	20020924					Total revision		
EDIT	DATE	DESIG.	CHECK	APPR.	DESCRIPTION		FUJITSU DISPLAY TECHNOLOGIES CORPORATION	21/
DESIG.			CHECK			APPR.		

Applied area	Item	Condition	Specification										
Display dot area	Display location	Non-lighting	<p>As for the display position in the display dot area, the variation of tolerance between window frame of the upper bezel and dot display area (right, left, up and down) is shown in the following table.</p> <table border="1"> <thead> <tr> <th>Tolerance (X direction)</th> <th>Tolerance (Y direction)</th> </tr> </thead> <tbody> <tr> <td>$E-F \leq 1.0\text{mm}$</td> <td>$A-B \leq 1.0\text{mm}$</td> </tr> <tr> <td>$E-H \leq 0.7\text{mm}$</td> <td>$A-D \leq 0.7\text{mm}$</td> </tr> <tr> <td>$F-G \leq 0.7\text{mm}$</td> <td>$B-C \leq 0.7\text{mm}$</td> </tr> <tr> <td>$G-H \leq 1.0\text{mm}$</td> <td>$C-D \leq 1.0\text{mm}$</td> </tr> </tbody> </table> <p>*The dimension of effective display area, dot display area and display frame should follow the dimensions described in each specification.</p>	Tolerance (X direction)	Tolerance (Y direction)	$ E-F \leq 1.0\text{mm}$	$ A-B \leq 1.0\text{mm}$	$ E-H \leq 0.7\text{mm}$	$ A-D \leq 0.7\text{mm}$	$ F-G \leq 0.7\text{mm}$	$ B-C \leq 0.7\text{mm}$	$ G-H \leq 1.0\text{mm}$	$ C-D \leq 1.0\text{mm}$
Tolerance (X direction)	Tolerance (Y direction)												
$ E-F \leq 1.0\text{mm}$	$ A-B \leq 1.0\text{mm}$												
$ E-H \leq 0.7\text{mm}$	$ A-D \leq 0.7\text{mm}$												
$ F-G \leq 0.7\text{mm}$	$ B-C \leq 0.7\text{mm}$												
$ G-H \leq 1.0\text{mm}$	$ C-D \leq 1.0\text{mm}$												

DOCUMENT CONTROL SECTION

DATE

						FLC43XWC8V-02	
						Tech Bes LCD-00149	
04 20021205						CUST.	
Add this page							
EDIT	DATE	DESIG.	CHECK	APPR.	DESCRIPTION	FUJITSU DISPLAY TECHNOLOGIES CORPORATION	
DESIG.			CHECK		APPR.	22/	

13. ENVIRONMENTAL SPECIFICATIONS

Table 13-1 shows the environmental specifications.

Table 13-1. Environmental Specifications

Item	Condition		Remark
Temperature	Operation	0~57°C (Note1)	Temperature on surface of LCD panel (display area.)
	Storage	-20~60°C	
Humidity	Operation	20~85%RH	Maximum wet-bulb temperature should not exceed 29°C. No condensation.
	Storage	5~85%RH	
Vibration	Non-operation	10~500Hz, 1 cycle/20minute, 2G, 1.5mm max, 2hour each X, Y and Z directions	For single module without package.(Note2)
Shock	Non-operation	30G, 6ms, 1time each ±X, ±Y and ±Z directions.	

Note1: Temperature on surface of LCD panel should be under 57 .

Note2: Table 13-2 and Fig. 13-1 show the shock resistance standard when module is packaged.

Table 13-2. Shock Resistance Standard when Module is Packaged

Dropping location	Dropping height	Count
A ~ J	60cm	1 time

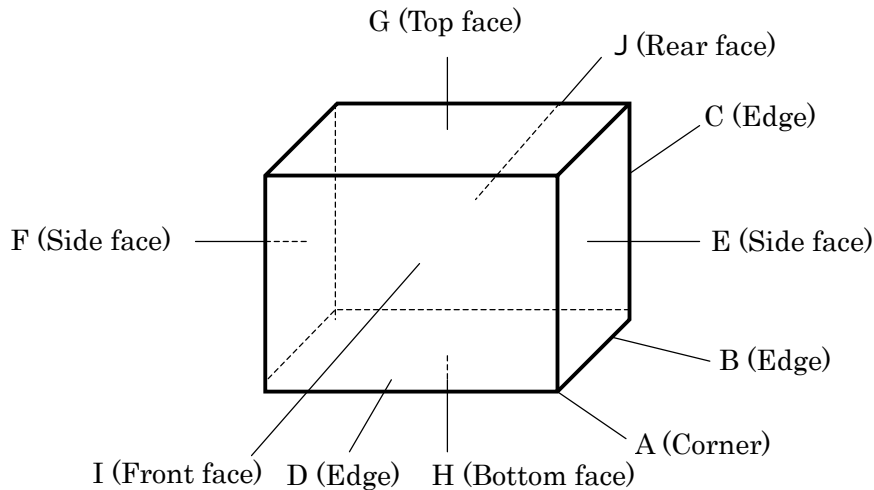


Fig.13-1. Direction to apply shock to package

DOCUMENT CONTROL SECTION

DATE

						FLC43XWC8V-02	
						Tech Bes LCD-00149	
						CUST.	
EDIT	DATE	DESIG.	CHECK	APPR.	DESCRIPTION	FUJITSU DISPLAY TECHNOLOGIES CORPORATION	
DESIG.			CHECK		APPR.	23/	

14. INDICATIONS

This module has the following indications.

A

- (1) Product name : LCD unit
- (2) Model number : FLC43XWC8V-02
- (3) Product drawing number: NA19026-C071

A

B

- (4) Manufacturing number : 2 Y 0 0 0 0 1

Serial number
(To be reset every month on 1st.)

Manufacturing month
(Oct. = X, Nov. =Y, Dec. =Z)

Last digit of manufacturing year.

B

- (5) Version number : 01A (Example)
-1st 2 digits "01" means operational version.
-3rd alphabet means functional version.

- (6) Country of origin : MADE IN JAPAN

C

- (7) Company name : FUJITSU DISPLAY TECHNOLOGIES CORP.

C


- (8) Caution when changing cold-cathode tubes and disposal method of them. (See Fig. 14-1)

・ WHEN CHANGING COLD CATHODE FLUORESCENT LAMPS, FOLLOW OPERATING SPECIFICATIONS, ESPECIALLY BE CAREFUL ABOUT THE LAMP'S SIDE-EDGE.
 ・ 蛍光管の交換は作業仕様書に従って行って下さい。特に蛍光管ホルダ側面のエッジに気をつけて下さい。

・ THIS TFT COLOR LCD CONTAINS COLD CATHODE FLUORESCENT LAMPS. PLEASE FOLLOW LOCAL ORDINANCES OR REGULATIONS FOR ITS DISPOSAL.
 ・ 当該液晶ディスプレイユニットには蛍光管が組み込まれていますので、地方自治体の条例または規則に従って廃棄して下さい。

Fig.14-1

LCD unit MADE IN JAPAN



FLC43XWC8V-02 0X50015
 NA19026-C071 01A
 FUJITSU DISPLAY TECHNOLOGIES CORP.

Fig.14-2 Product label (example)

D

D

15. PACKAGING

Separately specified in packaging specifications.

15-1. Packaging specifications

- (1) 5 LCD modules / 1 package.
- (2) Weight: approximately 13kg / 1 package.
- (3) Outline dimensions : 348mm(W) × 328(D) × 490mm(H)

15-2. Packaging method

Fig.15-2 (a),(b),(c),(d) show the packing method.

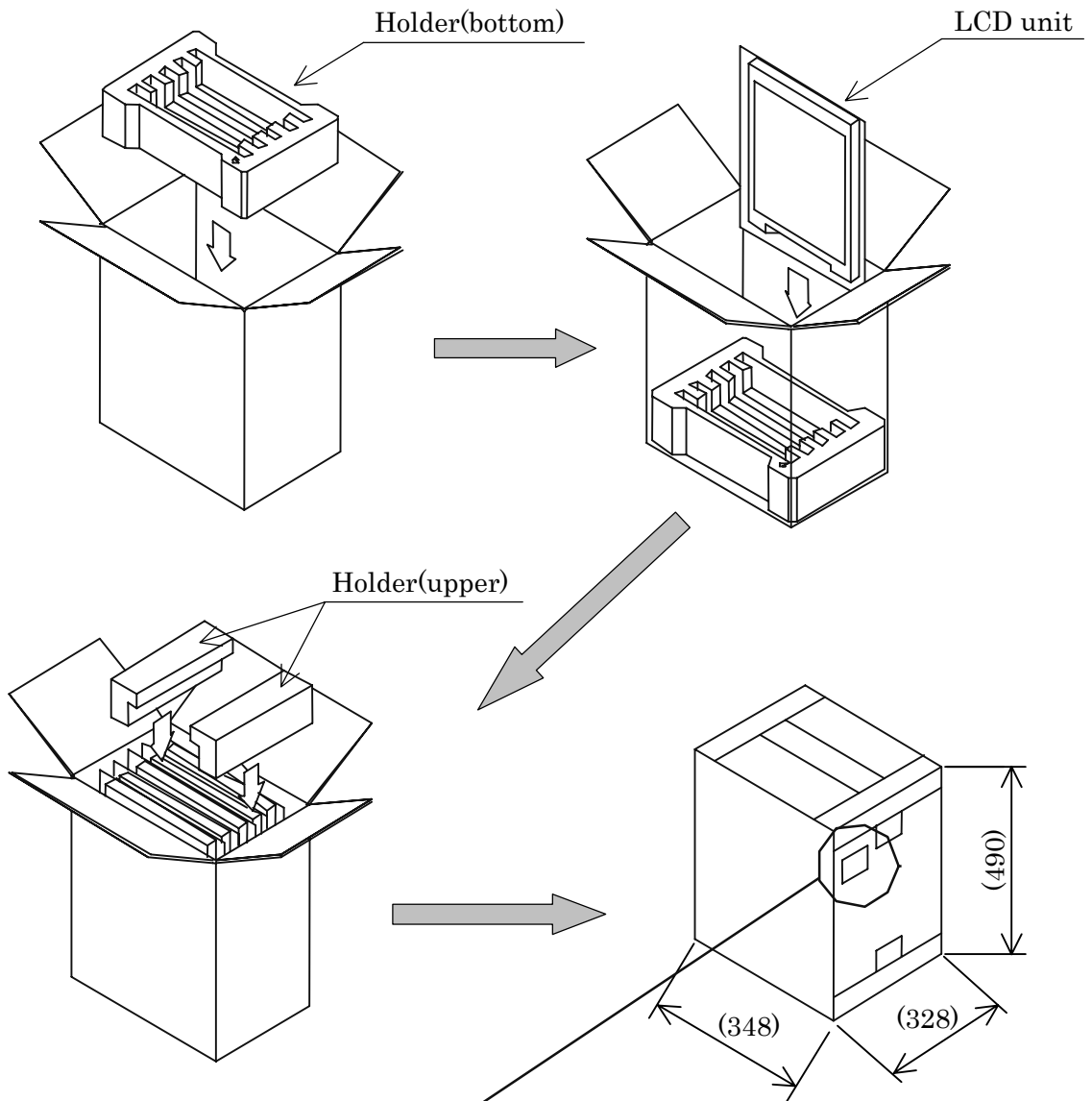
E

DOCUMENT CONTROL SECTION

DATE

F

						FLC43XWC8V-02	
						Tech Bes LCD-00149	
						CUST.	
EDIT	DATE	DESIG.	CHECK	APPR.	DESCRIPTION		FUJITSU DISPLAY TECHNOLOGIES CORPORATION
							24/



Label(example)

型 格 (TYPE)	FLC43XWC8V-02	数 量 (QTY.)	5
図 番 (DRWG. NO.)	NA19026-C071	版 数 (REV. NO.)	01A
	9X00001		
	9X00002		
	9X00003		
	9X00004		
	9X00005		
<div style="border: 1px solid black; display: inline-block; padding: 2px;"> バーコード </div>		MADE IN JAPAN	

- Taping
 Upper : H or I method
 Bottom : H method
- Upper and bottom holders should be anti-electrostatic type.

Fig.15-2(b) Packaging Method

DOCUMENT CONTROL SECTION

						FLC43XWC8V-02		
						Tech Bes LCD-00149		CUST.
EDIT	DATE	DESIG.	CHECK	APPR.	DESCRIPTION		FUJITSU DISPLAY TECHNOLOGIES CORPORATION	
DESIG.			CHECK		APPR.		26/	CHECK

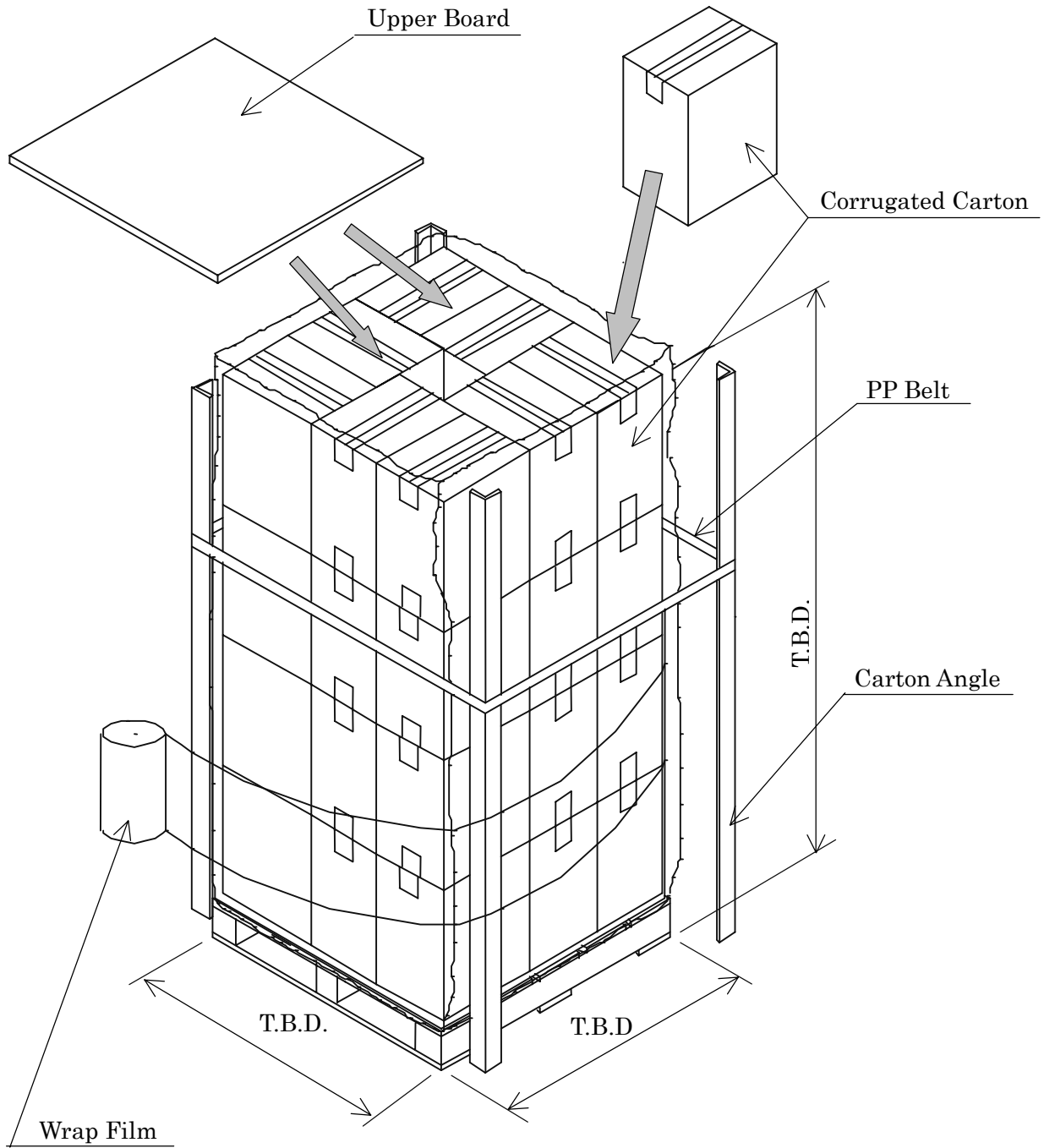


Fig.15-2(c) Packaging Method

DOCUMENT CONTROL SECTION
DATE

						FLC43XWC8V-02	
						Tech Bes LCD-00149	
						CUST.	
EDIT	DATE	DESIG.	CHECK	APPR.	DESCRIPTION	FUJITSU DISPLAY TECHNOLOGIES CORPORATION	
DESIG.			CHECK		APPR.	27/	

A

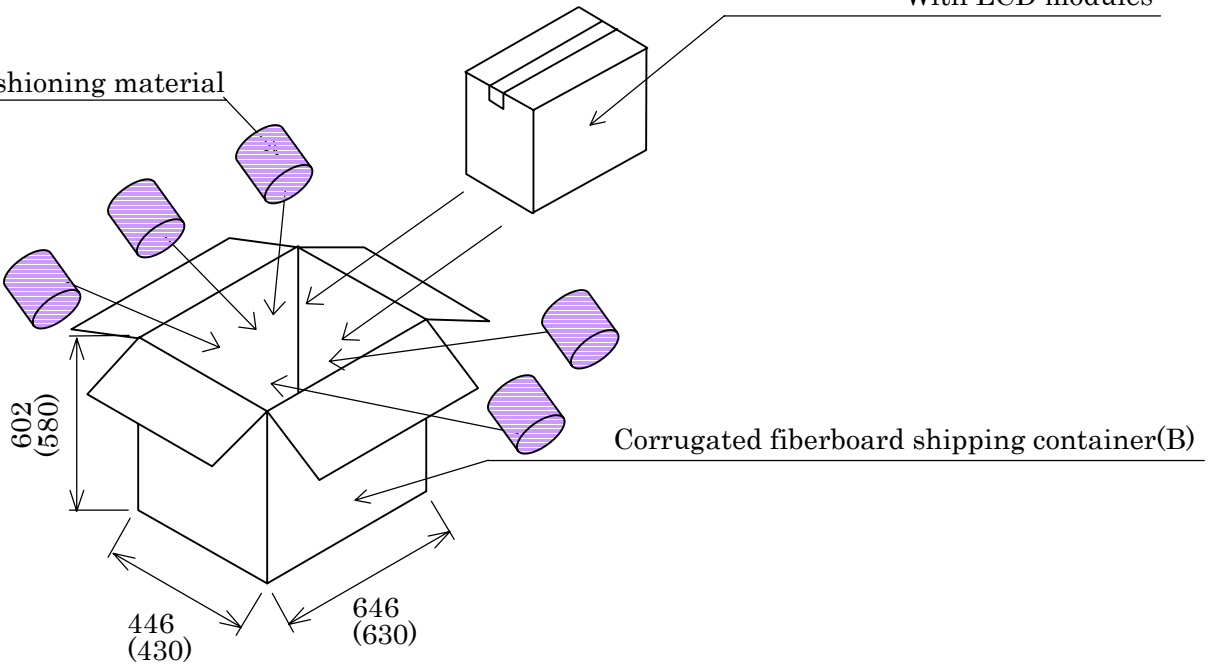
A

Cushioning material

Corrugated carton(A)
With LCD modules

B

B



C

C

Note 1) The carton (A) should be placed in the middle of the container(B) with enough cushioning materials.

D

D

Figure.15-2(d) Packaging Method

E

DOCUMENT CONTROL SECTION

DATE

F

						FLC43XWC8V-02	
						Tech Bes LCD-00149	
						CUST.	
EDIT	DATE	DESIG.	CHECK	APPR.	DESCRIPTION		
DESIG.			CHECK		FUJITSU DISPLAY TECHNOLOGIES CORPORATION		28/

16.WARRANTY

The warranty period is one year after manufacturing. Products which fail during this period are repaired or replaced without charge, unless the failure is caused by user.

17.PRECAUTIONS

Adhere to the following precautions to properly use this LCD module.

(1) Fail safe design

LCD module has an inherent chance of failure. Customers must protect against injury, damage or loss from such failures by incorporating safety design measures into your facility and equipment such as redundancy, fire protection, and prevention of over-current levels and other abnormal operating conditions.

(2) Handling of LCD panel

Do not apply any strong mechanical shock to the LCD panel.

Since the LCD panel is made of glass, excessive shock may damage the panel or cause a malfunction.

Do not press hard on the LCD panel surface.

In the LCD panel, the gap between two glass plates is kept precisely and uniformly to maintain display's characteristics and reliability. If this panel is pressed hard, the following troubles occurs.

- (a) Ununiformity of color
- (b) Orientation of liquid crystal becomes disordered

Problem (a) returns to normal after a while. Problem (b) returns to normal if power is shut off once then turned on again.

However these operations should be avoided to insure reliability.

Do not scratch the polarizer film on the LCD panel surface.

- Do not press or rub the display surface with a hard tool, pincet, etc.
- For handling, use cotton or conductive gloves so that the display surface is not stained.
- For If the display surface is stained by dust or dirt, clean it as follows with a soft cloth (deer skin, etc.)

[Dust] Wipe off with a soft cloth. (do not rub.)

[Dirt] Wipe off lightly with a soft cloth after soaking in the clear water and squeezing hard out of water drops. Only if the dirt is hardly wiped off, use isopropyl alcohol or ethanol.

Be careful not to splash the water or the solvent and water penetrated between the polarizer and the LCD panel.

Do not use solvents such as ketone (acetone, etc.) and aromatics (xylene, toluene, etc.)

- If saliva or water drops are left for long time, it may deform partial deformation or discolored. Wipe off immediately in the same way as for dirt.
- Do not allow oil to adhere to the module, since the cleaning of oil is difficult.

Do not place or contact objects on the display surface for a long period of time.

That's because this may make some parts of the LCD module distorted and the display quality may decline.

DOCUMENT CONTROL SECTION

DATE

						FLC43XWC8V-02	
						Tech Bes LCD-00149	
						CUST.	
EDIT	DATE	DESIG.	CHECK	APPR.	DESCRIPTION		FUJITSU DISPLAY TECHNOLOGIES CORPORATION
DESIG.			CHECK		APPR.		29/

(3) Handling of LCD module

Do not pull the cold-cathode tube cable strongly.

If the cable is pulled with the load of 2kg or more, the cable may be damaged or reliability may decrease.

Assemble the module into user's system in a dust free environment.

If conductive foreign matter adheres to the module, failures may occur.

Take anti-static measures for assembling the module.

Since the LCD module contains CMOS-ICs, the following considerations are necessary.

- For assembling the module, operator should be grounded and wear cotton or conductive gloves.
- Floor of work area and work table to assemble the LCD module should be covered with electrostatic shielding in order to discharge static electricity via an earth wire.
- If necessary, ground operation tools (soldering iron, radio pliers, pincet, etc.).
- Do not take the module out of the conductive bag until the time when the module is assembled.
- Assemble the module under low humidity (50%RH or less).

Do not pull the connecting cable on the rear face of the LCD module strongly.

Do not disassemble or remodel the LCD module.

If this LCD module is disassembled or remodeled, it may have some trouble, or the display quality and reliability may not be assured.

(4) Precautions for operating the LCD module

Adhere to the specified power supply sequence.

If not followed, the CMOS-IC may cause a latch-up, or the DC voltage may be applied the liquid crystal, and a failure or serious deterioration in display quality may occur.

Do not operate the LCD module when condensation is present.

If the LCD module is operated when condensation is on the terminals of the LCD panel, the terminals cause electrochemical reaction, and may reach disconnection. Condensation easily occurs especially when the module is moved from a cold environment to a warm environment.

Trouble that occurs when the LCD module is used at not recommended temperature.

- Operation at high temperature(>60°C) :Display colors shift to blue.
- Storage at high temperature(>60°C) :The polarizer film deteriorates and contrast decreases.
- Operation at low temperature(<0°C) :The response speed decreases considerably.
- Storage at low temperature (<-20°C) :The liquid crystal may solidify and become damaged.

Always input the control signals at the correct timing.

If control signals (DCLK, or ENAB) are not input, or if the timing is out of the specified timing, DC voltage may be applied to the liquid crystal and, as a result, cause image sticking or deterioration of contrast.

DOCUMENT CONTROL SECTION

DATE

						FLC43XWC8V-02	
						Tech Bes LCD-00149	
						CUST.	
EDIT	DATE	DESIG.	CHECK	APPR.	DESCRIPTION		
DESIG.			CHECK		FUJITSU DISPLAY TECHNOLOGIES CORPORATION		
						30/	

(5) Precautions on designing module mounting

Do not press the display surface and bottom face of the LCD module.

Display quality or reliability may be deteriorated if the installation of the LCD module is inappropriate and, as a result, excessive pressure is applied to the surface of LCD screen. Brightness uniformity or the reliability of CCFL may decrease if the pressure is applied to the backlight module.

Consider the module mounting design, so that twisting and bending do not occur to the LCD module.

Excessive twisting and bending may damage display quality and reliability.

The power cable length between the LCD module and inverter should not be extended.

Otherwise the backlight may not light or flickering may occur.

Do not make the power cable of the backlight clung to a metal plate, etc.

Backlight frequency current for backlight driving may leak to the metal and desired brightness may not be assured.

When Mounting LCD module with M4 screw(x4) should be screw up under 5.75kgf·cm torque

(6) Storage method

Do not store the LCD module in an atmosphere of organic solvent or corrosive gas.

In an organic solvent atmosphere, the polarizer film discolors and display quality deteriorates.

In a corrosive gas environment, various problems may occur.

Store the LCD module in a Fujitsu package.

At storing, Fujitsu packages can be stacked up to 4 boxes.

The LCD module is in an anti-static bag. Keep the module in that status.

It is recommended that the storage environment should be humidity controlled, cool and dark.

Recommended storage environment

- Place :Dark (avoid direct sunlight)
- Temperature : 10~35°C
- Humidity : 50~60%RH

Note) If the module is left in an environment of 60 or more for a long period of time, optical characteristics may deteriorate.

(7) Storage method

If the LCD panel is damaged, do not inhale or allow the liquid crystal to enter the mouth

If the liquid crystal contacts the body or cloths, wash it off with soap immediately. Follow precautions for regular electronic components.

Solder flux on the printed circuit board is harmless to the quality and reliability of LCD module.

Fujitsu is practicing non-wash technology on module assembly process.

DOCUMENT CONTROL SECTION

DATE

						FLC43XWC8V-02	
						Tech Bes LCD-00149	
						CUST.	
EDIT	DATE	DESIG.	CHECK	APPR.	DESCRIPTION		FUJITSU DISPLAY TECHNOLOGIES CORPORATION
							31/

18. PRECAUTIONS FOR USE

A

This Product is designed, developed and manufactured as contemplated for general use, including without limitation, general office use, personal use, household use, and ordinary industrial use, but is not designed, developed and manufactured as contemplated for use accompanying fatal risks or dangers that, unless extremely high safety is secured, could lead directly to death, personal injury, severe physical damage or other loss (hereinafter “High Safety Required Use”), including without limitation, nuclear reaction control in nuclear facility, aircraft flight control, air traffic control, mass transport control, medical life support system, missile launch control in weapon system. If customer’s product possibly falls under the category of High Safety Required Use, please consult with our sales representatives in charge before such use. In addition, FDTC shall not be liable against the customer and/or any third party for any claims or damages arising in connection with the High Safety Required Use of the Product without permission.

A

B

B

19. MISCELLANEOUS

Specifications of the TFT-LCD panel and other components used in the LCD module are subject to change. Both parties shall discuss together before change.

C

If any doubt is raised in the content of the specifications, both parties shall discuss and make best effort for the agreement.

C

D

D

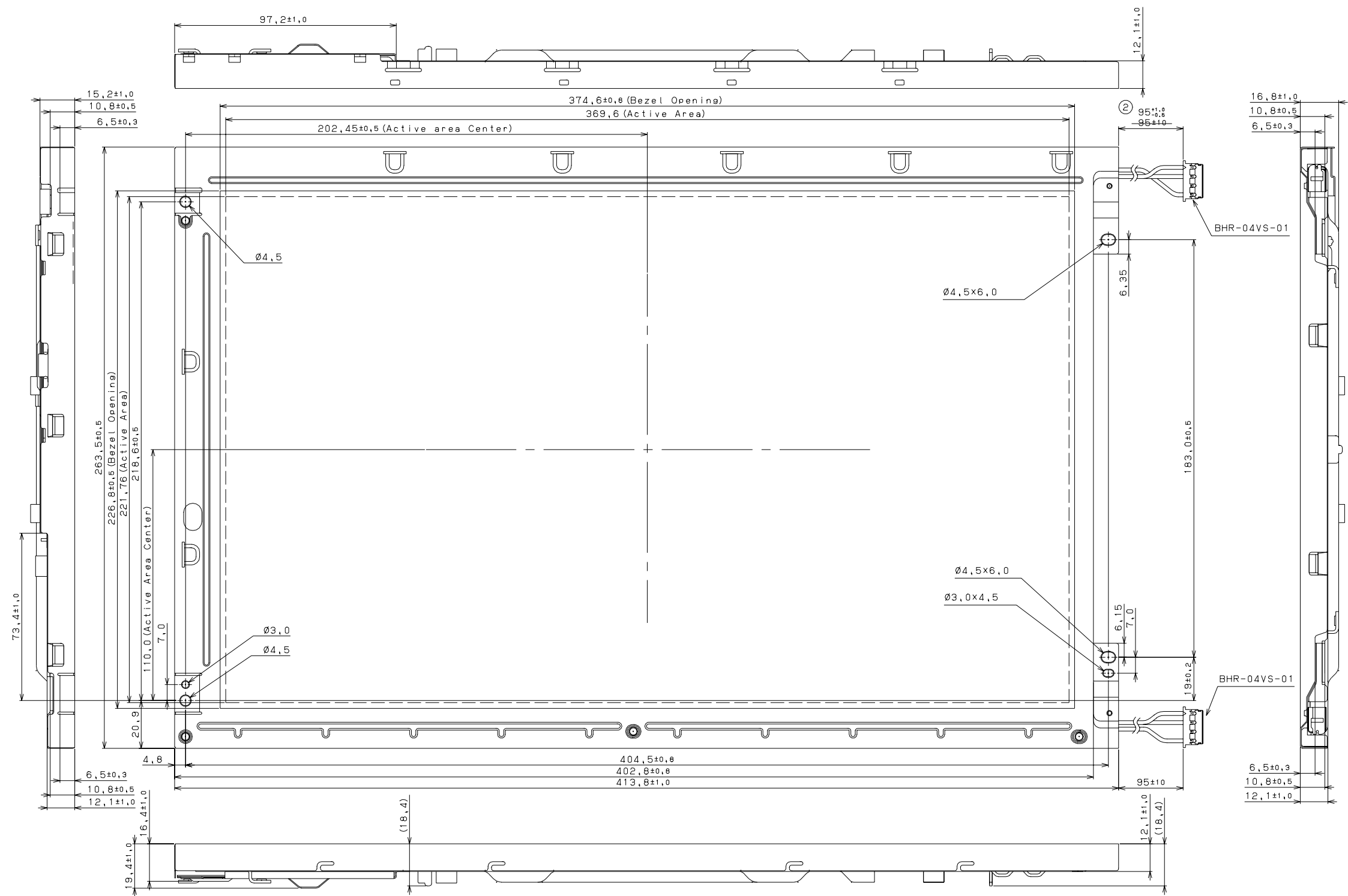
DOCUMENT CONTROL SECTION

DATE

E

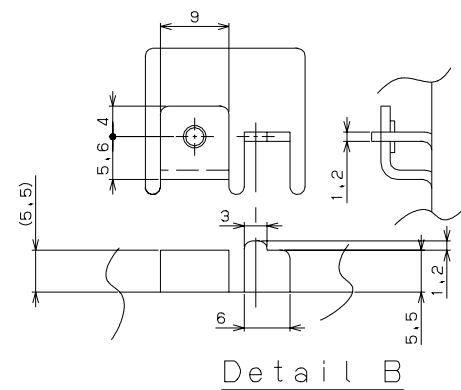
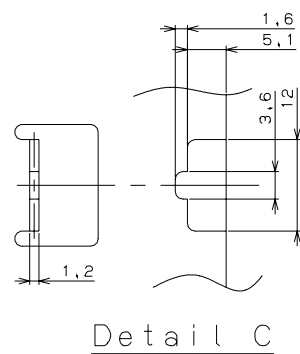
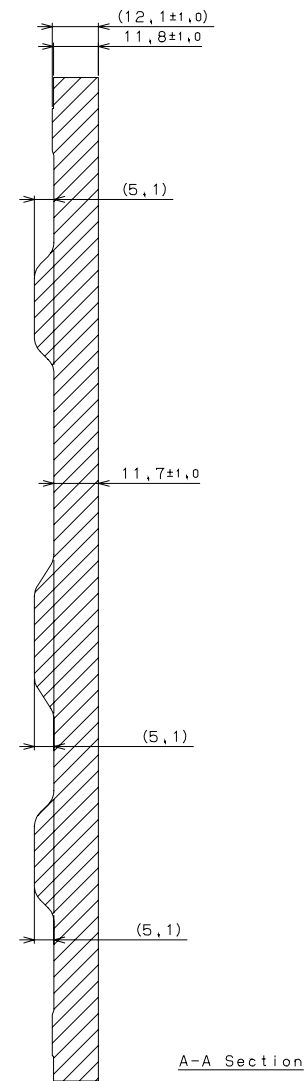
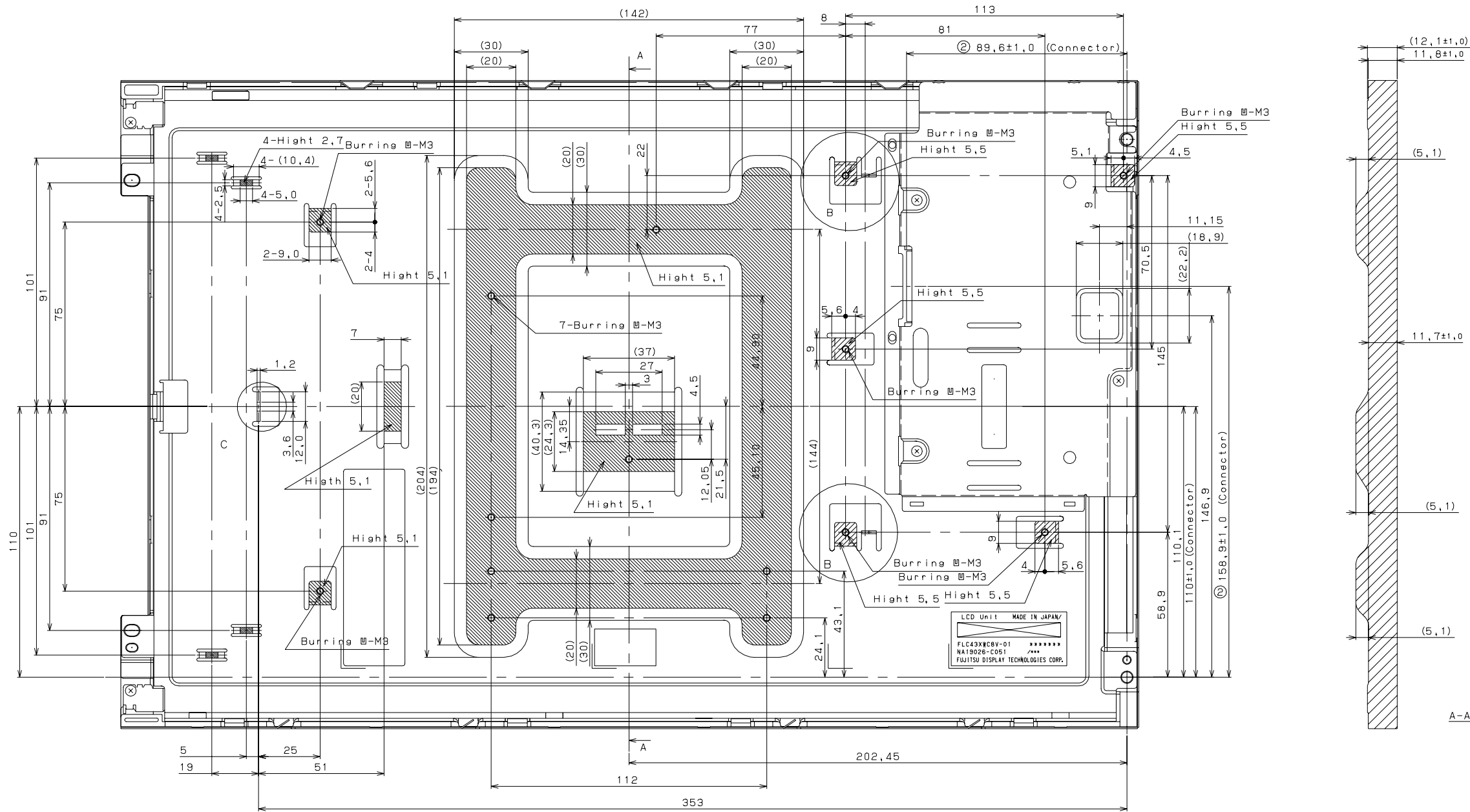
						FLC43XWC8V-02	
						Tech Bes LCD-00149	
						CUST.	
EDIT	DATE	DESIG.	CHECK	APPR.	DESCRIPTION		FUJITSU DISPLAY TECHNOLOGIES CORPORATION
DESIG.			CHECK		APPR.		32/

F



Front View

				TITLE	FLC43XWC8V-02
04	20021205			④ changed	DRAW. NO.
02	20020807			② changed	Tech Bes LCD-00149
DESIGN	DATE	DESIGN	CHECK	DESCRIPTION	
					④ 33/32



				TITLE FLC43XWC8V-02	
04	20021205			④changed	DRAW. NO. Tech Bes LCD-00149
02	20020807			Connector position changed	
DESIGN	DATE	DESIGN	CHECK	DESCRIPTION	
				APPR.	