



# PRODUCT SPECIFICATION

**Model No : CST-5234E/5235E**

## Descriptions:

- 0.52 Inch Triad Digit Display
- CST-5234: Common Anode
- CST-5235: Common Cathode
- Emitting Color: Orange



CUSTOMER APPROVED SIGNATURES	APPROVED BY	CHECKED BY	PREPARED BY

**CHINA SEMICONDUCTOR CORPORATION**

Address:2FL. NO.909,Chung-Cheng Road,  
Chung-Ho City Taipei Hsien,Taiwan.

Tel:886-2-2223-9696  
Fax:886-2-2223-9377

**OPTO PLUS TECHNOLOGIES CO.,LTD**

Address:696 Shun jiang Rd.,Ji Shan St.Shaoxing,  
ZheJiang,China

Tel:86-0575-88623888  
Fax:86-0575-88623112



### Model No : CST-5234/5235E

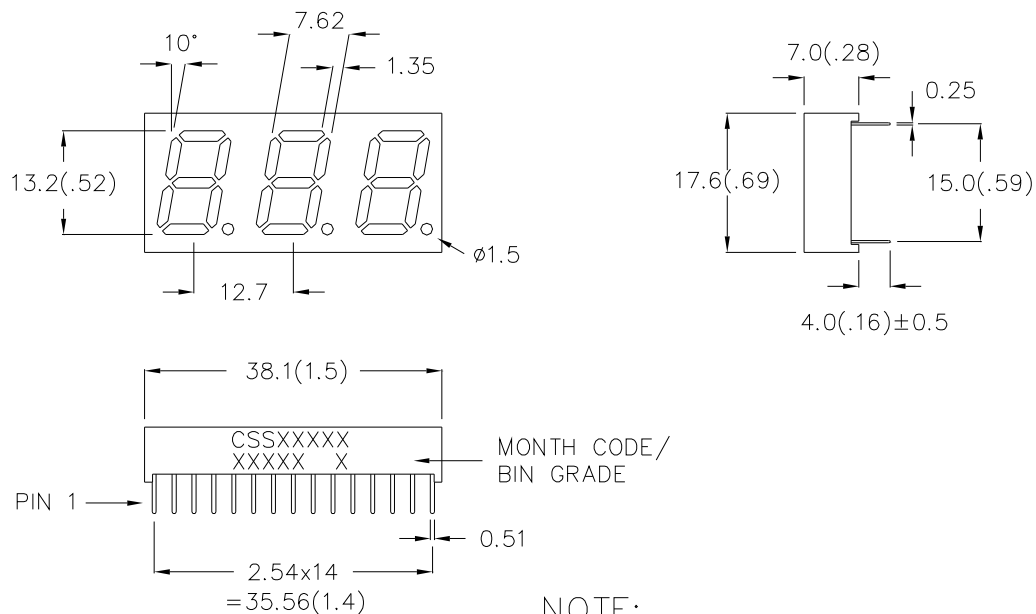
#### ■ Features -

1. 0.52 inch (13.2mm) digit height.
2. Case mold type.
3. RoHS compliant.
4. Low power consumption.
5. Easy mounting on P.C. board or socket.

#### ■ Device Selection Guide -

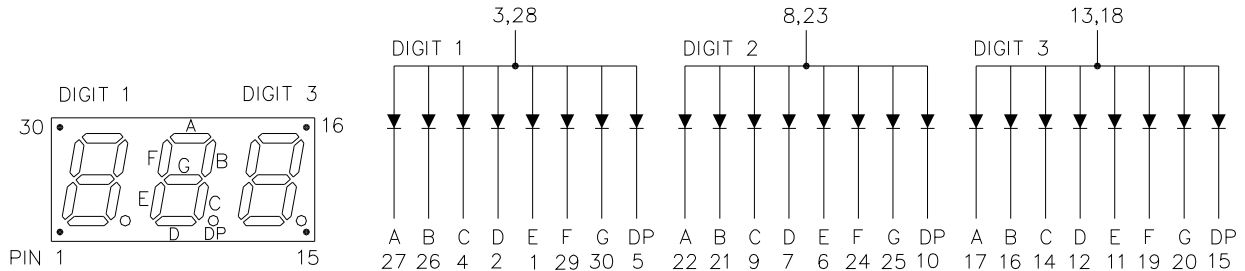
Part No.	Chip		Description
	Material	Emitted Color	
<b>CST-5234E</b>	<b>GaAsP</b>	<b>Orange</b>	<b>Common Anode</b>
<b>CST-5235E</b>	<b>GaAsP</b>	<b>Orange</b>	<b>Common Cathode</b>

#### ■ Package Dimensions -



#### NOTE:

2. Dimension in millimeter (inch), and tolerance is  $\pm 0.25$  (.01) unless otherwise noted.


**Model No : CST-5234/5235E**
**Internal Circuit Diagrams -**


CST-5234 Common Anode. (CST-5235 is Common Cathode.)

**Absolute Maximum Rating -**

(Ta=25°C)

Parameter	Symbol	Rating	Unit
Power Dissipation Per Dice	<b>P<sub>AD</sub></b>	70	mW
Continuous Forward Current Per Dice	<b>I<sub>AF</sub></b>	25	mA
Peak Current Per Dice(duty cycle 1/10, 1kHz)	<b>I<sub>PF</sub></b>	90	mA
Derating Linear From 25°C Per Dice	-	0.33	mA/°C
Reverse Voltage Per Dice	<b>V<sub>R</sub></b>	5	V
Operating Temp.	<b>T<sub>opr</sub></b>	-35 ~ +85	°C
Storage Temp.	<b>T<sub>stg</sub></b>	-35 ~ +85	°C
Solder temperature 1/16 inch below seating plane for 3 seconds at 260°C			



Spec. No.	PS-ND-08090102
Rev.	A

**Model No : CST-5234/5235E**

■ **Electro-optical Characteristics -**

(Ta=25°C)

Parameter	Symbol	Min.	Typ.	Max.	Unit	Condition
Forward Voltage Per Segment	$V_F$	-	2.0	2.8	V	$I_F=20mA$
Luminous Intensity Per Segment	$I_v$	-	4	-	mcd	$I_F=10mA$
Peak Emission Wavelength	$\lambda_p$	-	632	-	nm	$I_F=20mA$
Dominant Wavelength	$\lambda_d$	-	624	-	nm	$I_F=20mA$
Spectrum Radiation Bandwidth	$\Delta \lambda$	-	35	-	nm	$I_F=20mA$
Reverse Current	$I_R$	-	-	100	$\mu A$	$V_R=5V$
Luminous Intensity Matching Ratio	$I_V-m$	-	-	2:1	-	$I_F=10mA$





**Model No : CST-5234/5235E**

**Typical Electrical / Optical Characteristics Curves -**

**(Ta = 25°C Unless Otherwise Noted)**

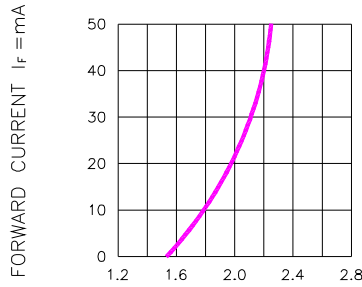


Fig.1 FORWARD CURRENT VS. FORWARD VOLTAGE

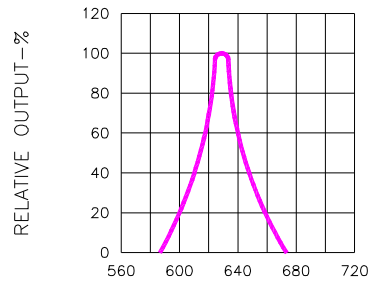


Fig.2 SPECTRAL RESPONSE

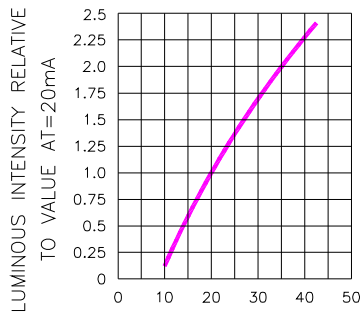


Fig.3 RELATIVE LUMINOUS INTENSITY VS. FORWARD CURRENT

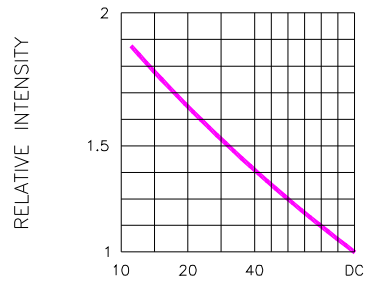


Fig.5 LUMINOUS INTENSITY VS. DUTY CYCLE

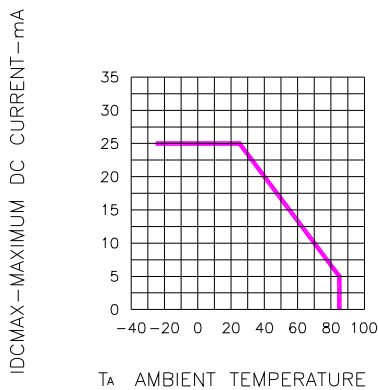


Fig.4 MAXIMUM ALLOWABLE DC CURRENT PER SEGMENT VS. A FUNCTION OF AMBIENT TEMPERATURE

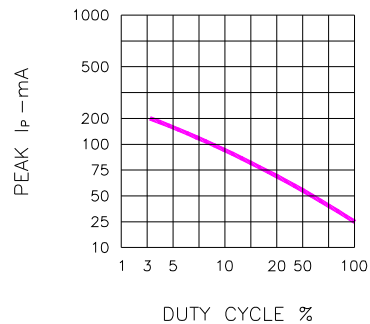


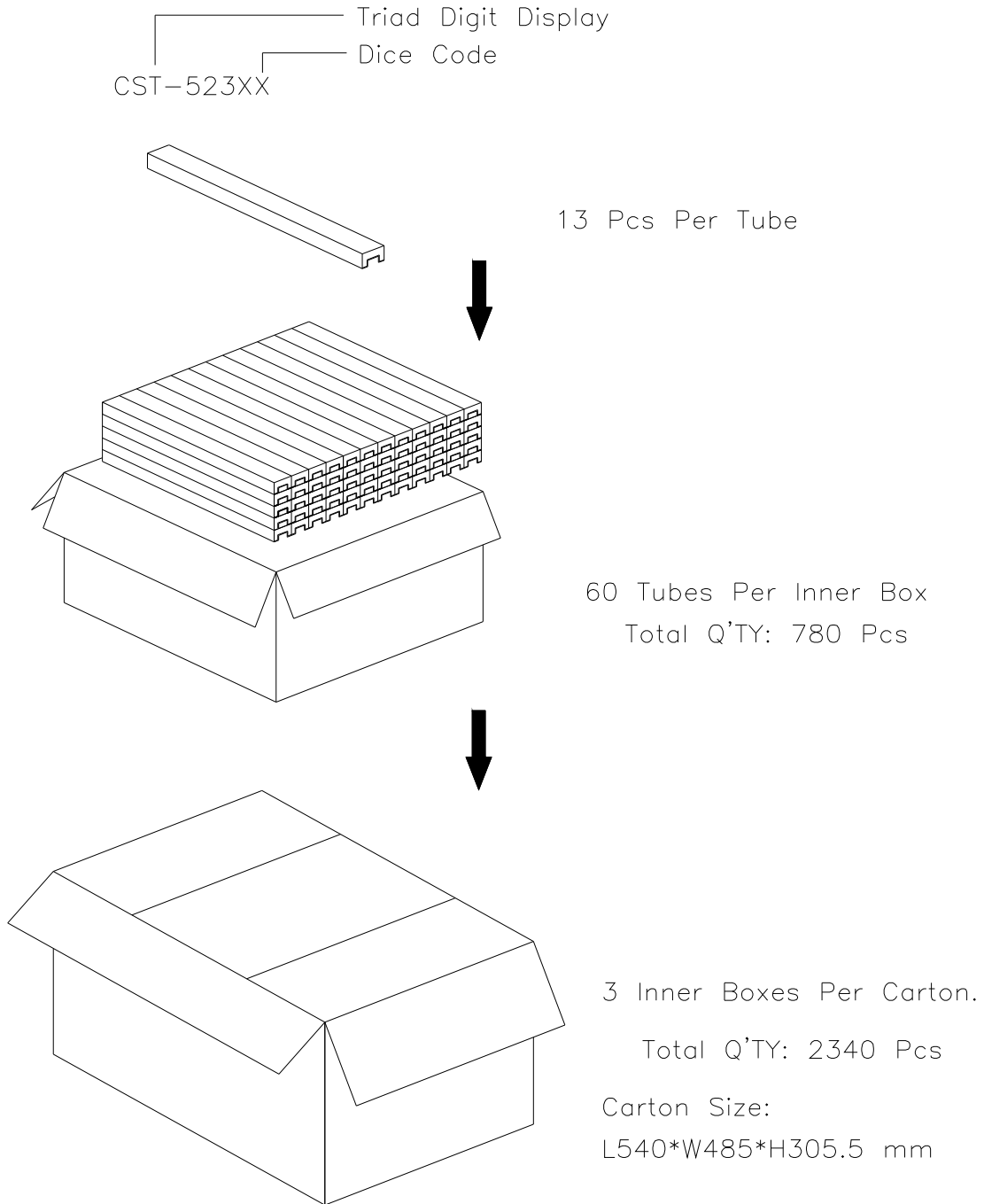
Fig.6 MAX PEAK CURRENT VS. DUTY CYCLE % (REFRESH RATE f=1 KHz)



Spec. No.	PS-ND-08090102
Rev.	A

**Model No : CST-5234/5235E**

■ Package Dimensions



Note: The specifications are subject to change without notice. Please contact us for updated information.