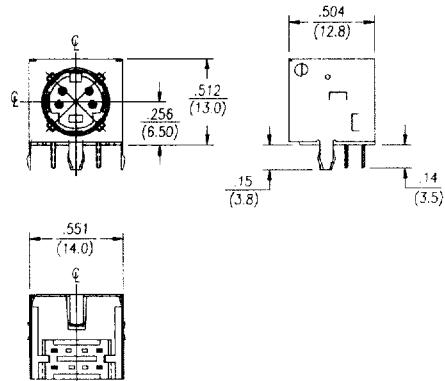
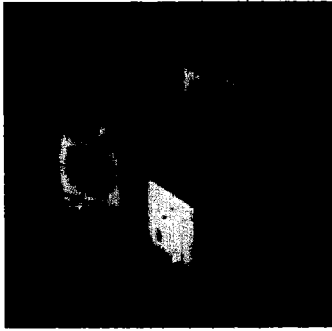


PCB Mounted Receptacles

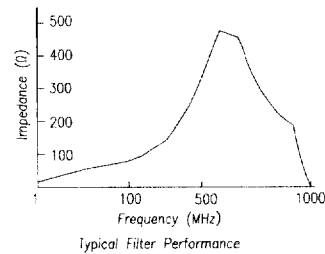
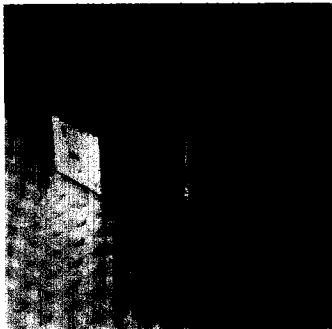
Right Angle Receptacle Series 70380

Accepts both molded and locking type plugs. The front face shielding and four-point connection between the receptacle casing and plug shield provide superior EMI / RFI protection. Solder processing is facilitated by tin-lead plated terminals, standoffs, and boardlocks.



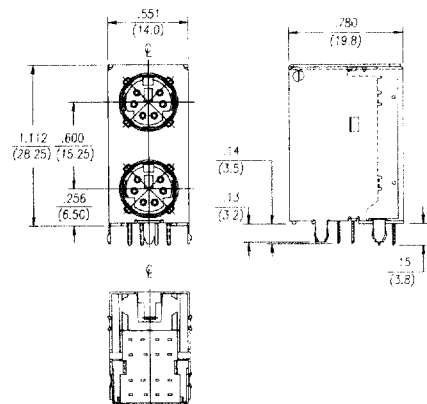
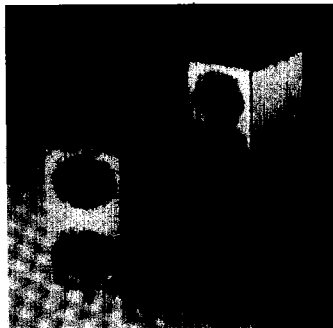
Receptacle with Ferrite Series 73055

Receptacle includes a ferrite filter within the same envelope dimensions as the regular receptacle detailed above. Saves PC board space by eliminating separate circuitry.



Stacked Receptacle Series 73057

Saves valuable PC board space. Number of contacts in upper connector can be different from number in lower connector. Available with or without plastic posts for ultrasonic/heat staking.



Receptacle Ordering Information

Receptacle Part Numbers _____

7XXXX - XOX - X

Series _____

- 70380** Receptacle
- 70386 Receptacle without boardlocks
- 73055 Receptacle with ferrite
- 73057 Stacked Receptacle

Contact Plating _____

- A** - Gold Flash
- C - 10 μ " Select Gold
- E** - 30 μ " Select Gold

Insulator Color & metal shell type _____

- 0 - Black
- 1 - Gray
- 5 - Black color, Full shielded type
- 6 - Gray color, Full shielded type

Numbers of Positions _____

Stacked Receptacle lower connector and all other receptacle types
3,4,5,6,7,8

Numbers of Position For Stacked Receptacle Upper Connector _____

Leave blank for all other receptacles
3,4,5,6,7,8

Notes: Most popular parts in bold: best availability and price. Contacts for crimp styles must be ordered separately. Plugs require pin contacts, In-line Receptacles require socket contacts. Contacts are attached to a carrier strip and supplied on reels.
 Dimensions in ins./(mm). Tolerance $\pm .01/ (.25)$ unless otherwise specified.
 Specifications subject to change.

PAN Profile

Contact Pan for other custom variations in Mini-DIN receptacles, such as 9 position parts, special mating face layouts, panel mount styles. We are the Mini-DIN specialists.

PCB Receptacle Layouts

Drawings shown front (mating) face of receptacle and bottom view of PC board.

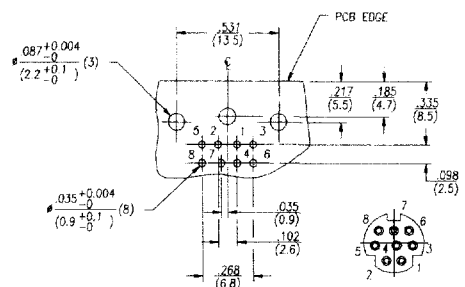
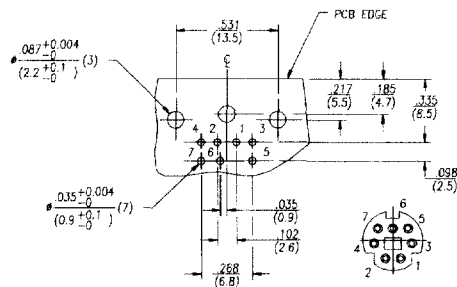
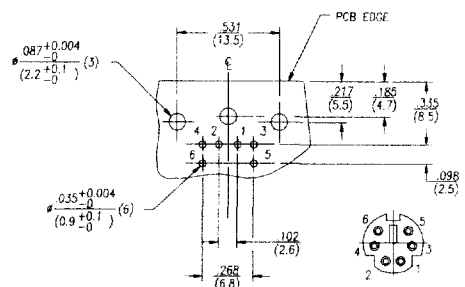
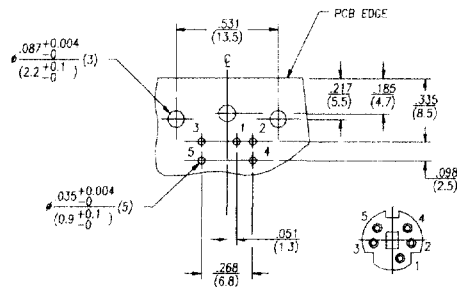
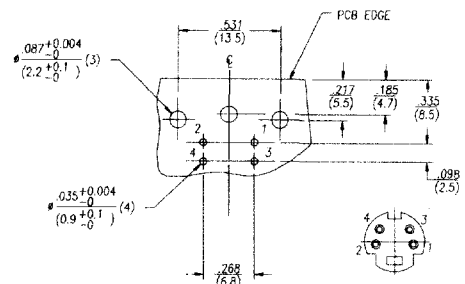
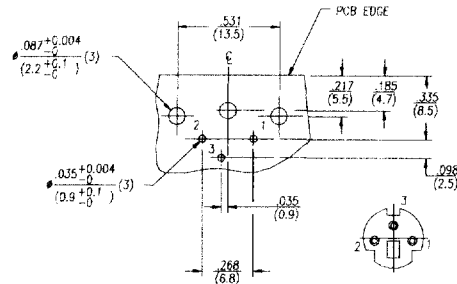
Recommended board thickness is .062(1.57)

Tolerances are non-accumulative $\pm .002(.05)$ for all hole centers and $\pm .010(.25)$ for all other dimensions unless otherwise specified.

Hold dimensions differ depending on the kind of board and piercing method; the dimensions given are a guide only.

Dimensions in ins./ (mm). Specifications subject to change.

Series 70380 Receptacle with Boardlocks; Series 70386 Receptacle without Boardlocks; Series 73055 Receptacle with Ferrite.



Series 73057 Stacked Receptacle (Dual 8 position example shown)

