

1

2

3

4

A

B

C

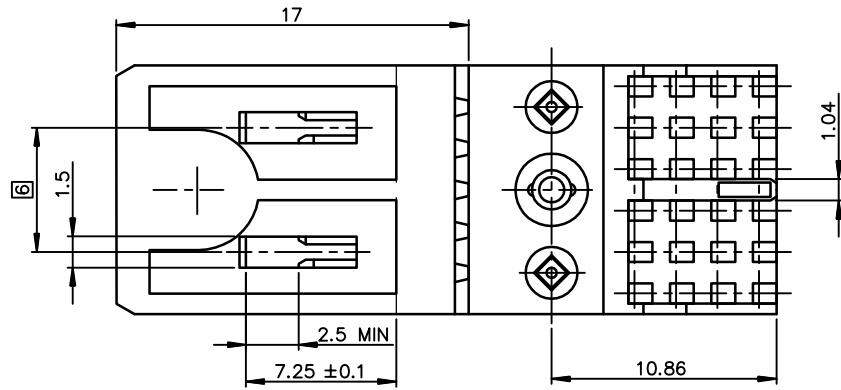
D

A

B

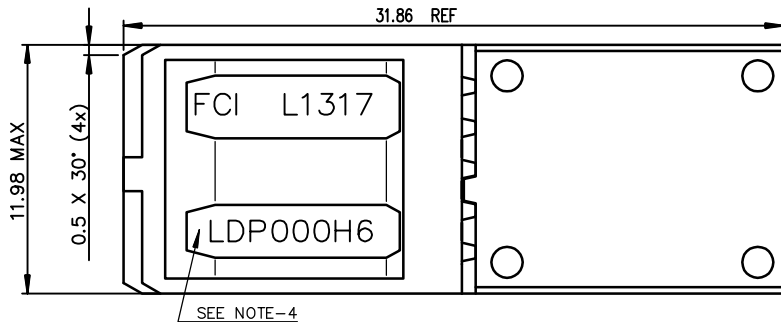
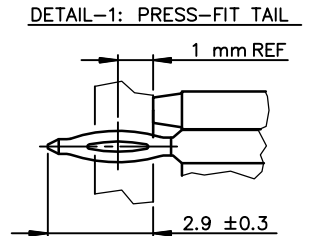
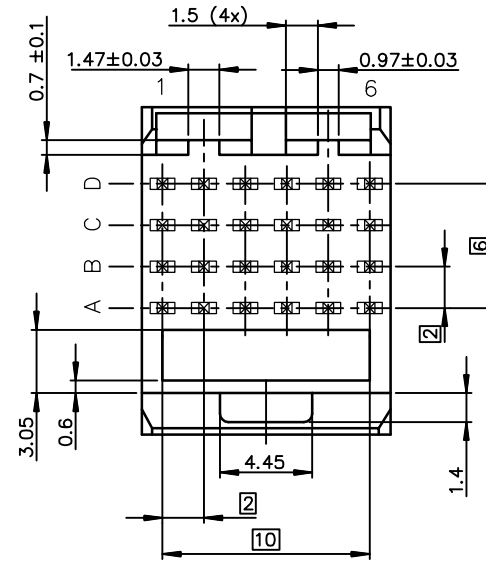
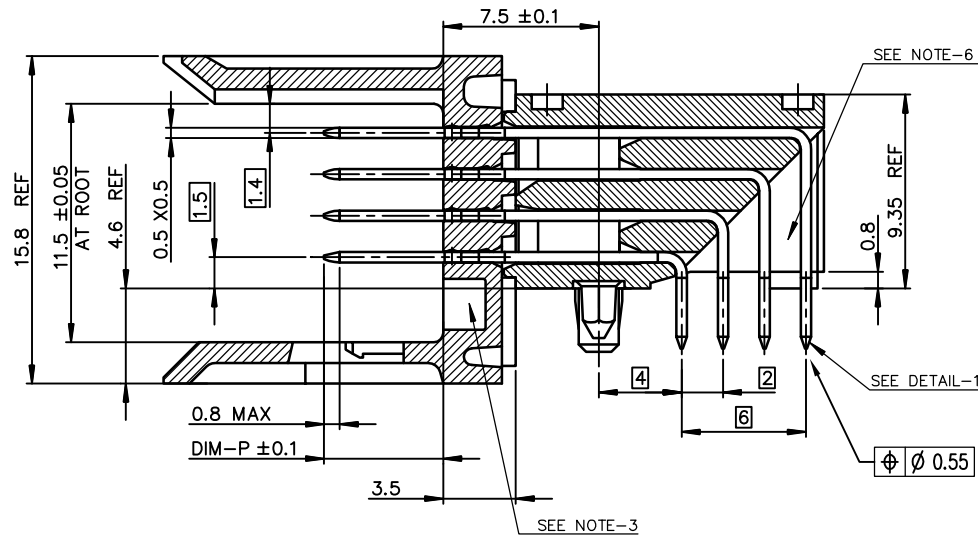
C

D



- NOTE-1: NORMINATIVE REF = IEC-61076-4-104
- NOTE-2: ONE CENTER PEG FOR HOLD DOWN FORCE
- NOTE-3: CODING RECESS FOR 8MM EXTENDED KEYS
- NOTE-4: PRODUCT MARKING = PRODUCT NUMBER + BATCH CODE + FCI  
FOR 1 MODULE SIZE, END OF PART NUMBER ONLY
- NOTE-6: CENTRAL WALL WITH END REAR SUPPORT
- NOTE-7: PACKAGING IN TRAY + COVER  
IF SUFFIX "P" IS ADDED IN P/N PACKAGING IS IN TRAYS  
BUT CONNECTOR MARKING IS WITHOUT "P"  
EXAMPLE: HM1XXXXXXXXX6P, MARKED HM1XXXXXXXXX6

GENERAL CHARACTERISTICS AND ROHS INFORMATIONS:  
SEE PRODUCT SPECIFICATION GS-12-445



European Views

www.fciconnect.com		surface ISO 1302 ✓	tolerance std ISO 406 ISO 1101	projection mm
TOLERANCES UNLESS OTHERWISE SPECIFIED				
Dr	CHAMPION	1994/04/05	ANGULAR	0.X ± 0.1
Eng	CHAMPION	1994/04/05	LINEAR	0.XX ± 0.1
Chr	LEGARE	1994/04/05	0.XX' ± 2	0.XXX ± 0.1
Appr	LEGARE	1994/04/05	Product family	METRAL
size				A3
Scale				4:1
ECN				
Spec ref				-
title METRAL RA HEADER WB CONVERGED 4x6 CTS-PF-PUSH PEG			dwg no C-8626-0150	Rev. K
catalog no			CUSTOMER	sheet 1 of 2

rev	ecn no	dr	date
E	-	PCH	2003/07/09
F	LS05-0056	LMA	2004/12/30
G	LS06-0097	LGO	2006/07/12
H	LS07-0184	MLE	2007/07/25
J	DG09-0359	Cenh	2009/11/18
K	DG10-0231	Cenh	2010/06/18
-	-	-	-

REV F - 2006-04-17

1

2

3

4

PDM: Rev:K

STATUS: Released

Printed: May 19, 2011



Copyright FCI

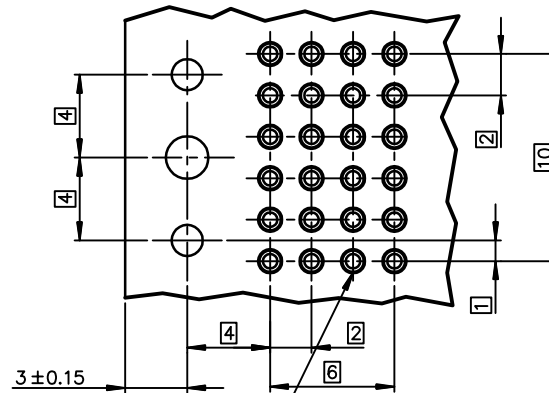
TIN LEAD PART NUMBER

PART NUMBER / CONTACT LOADING						P/N AND PERFORMANCE LEVEL	SP N°
DIM-P ±0.10							
ROW-A	ROW-B	ROW-C	ROW-D				
5.00	5.00	5.00	5.00			HM1L41ADP000H6P	
5.75	5.75	5.75	5.75			HM1L41LDP000H6P	
6.50	6.50	6.50	6.50			HM1L41DDP000H6P	
6.50	5.00	5.00	5.00			HM1L41BDP000H6P	
6.50	5.75	5.75	6.50			HM1L41CDP000H6P	
5.00	5.00	6.50	5.00			HM1L41ZDP110H6P	110
5.00	5.75	6.50	5.00			HM1L41ZDP430H6P	430
5.00	5.75	5.00	5.00			HM1L41ZDP448H6P	448
5.75	5.00	5.00	5.00			HM1L41ZDP009H6P	009
5.75	6.50	5.75	5.00			HM1L41ZDP424H6P	424
6.50	5.75	6.50	5.75			HM1L41ZDP037H6P	037
6.50	5.75	5.00	5.75			HM1L41ZDP102H6P	102
6.50	6.50	6.50	5.75			HM1L41ZDP135H6P	135
6.50	8.00	6.50	5.75			HM1L41ZDP329H6P	329
6.50	5.75	5.75	5.75			HM1L41ZDP369H6P	369

LEAD FREE PART NUMBER

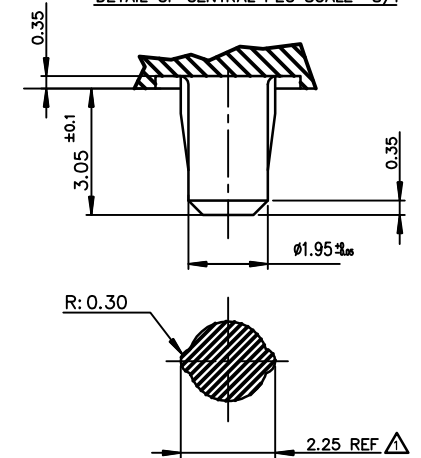
PART NUMBER / CONTACT LOADING						P/N AND PERFORMANCE LEVEL	SP N°
DIM-P ±0.10							
ROW-A	ROW-B	ROW-C	ROW-D				
5.00	5.00	5.00	5.00			HM1L41ADP000H6PLF	
5.75	5.75	5.75	5.75			HM1L41LDP000H6PLF	
6.50	6.50	6.50	6.50			HM1L41DDP000H6PLF	
6.50	5.00	5.00	5.00			HM1L41BDP000H6PLF	
6.50	5.75	5.75	6.50			HM1L41CDP000H6PLF	
5.00	5.00	6.50	5.00			HM1L41ZDP110H6PLF	110
5.00	5.75	6.50	5.00			HM1L41ZDP430H6PLF	430
5.00	5.75	5.00	5.00			HM1L41ZDP448H6PLF	448
8.00	8.00	8.00	8.00			HM1L41NDP000H6PLF	
5.75	5.00	5.00	5.00			HM1L41ZDP009H6PLF	009
5.75	6.50	5.75	5.00			HM1L41ZDP424H6PLF	424
6.50	5.75	6.50	5.75			HM1L41ZDP037H6PLF	037
6.50	5.75	5.00	5.75			HM1L41ZDP102H6PLF	102
6.50	6.50	6.50	5.75			HM1L41ZDP135H6PLF	135
6.50	8.00	6.50	5.75			HM1L41ZDP329H6PLF	329
6.50	5.75	5.75	5.75			HM1L41ZDP369H6PLF	369

RECOMMENDED PCB LAYOUT

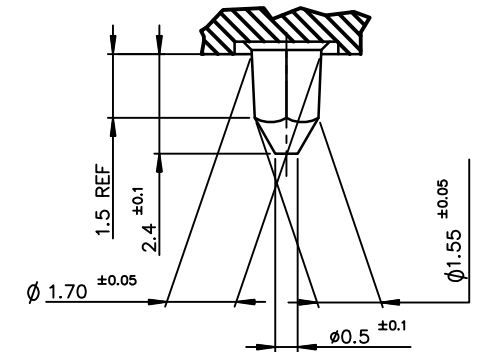


Hole according to product spec  
GS-12-445 (for press-fit),  
GS-12-446 (for STB)

DETAIL OF CENTRAL PEG SCALE 8/1



DETAIL OF LOCATING PEGS (2x) SCALE 8/1



STANDARD MATING LENGTHS = 5.75 (AND 5.00-6.50)

REV F - 2006-04-17

OTHERS INFORMATIONS, SEE DRW 8626-0150-1

European Views

www.fciconnect.com		surface	tolerance std	projection	mm
		ISO 1302	ISO 406 ISO 1101		
TOLERANCES UNLESS OTHERWISE SPECIFIED					
Dr	CHAMPION	1994/04/05	ANGULAR	0.X	±0.1
Eng	CHAMPION	1994/04/05	LINEAR	0.XX	±0.1
Chr	LEGARE	1994/04/05	0.XX' ±2	0.XXX	±0.1
Appr	LEGARE	1994/04/05	Product family		METRAL
Spec ref -					size A3
Scale 4/1					ECN
title METRAL RA HEADER WB					Rev. K
CONVERGED 4x6 CTS-PF-PUSH PEG					dwg no C-8626-0150
catalog no -					CUSTOMER sheet 2 of 2

rev	ecn no	dr	date
K	-	-	-
-	-	-	-
-	-	-	-
-	-	-	-
-	-	-	-
-	-	-	-
-	-	-	-



Copyright FCI