

6

5

4

3

2

1

MATERIAL AND FINISH

Insulator: Polycarbonate, UL-94V-0 rated

Terminals:

1 & 3. Bronze, Silver plated

2. Phosphor bronze, Silver plated

4. Pin contact: Bronze Nickel plated

MECHANICAL SPECIFICATIONS:

Life cycle: 5000 cycles

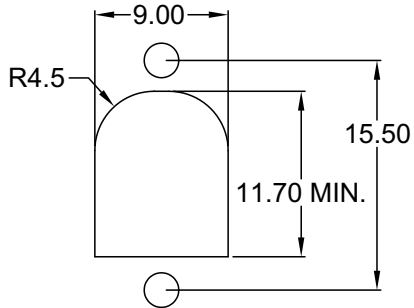
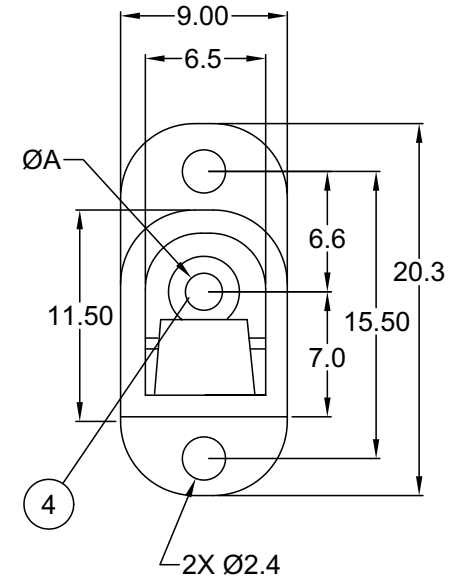
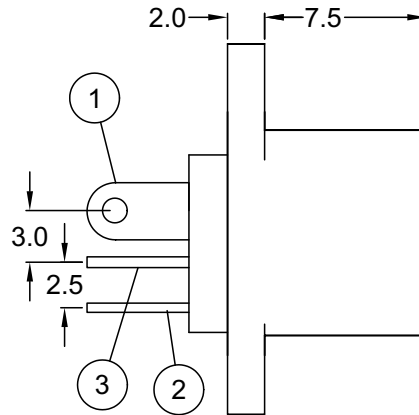
ELECTRICAL SPECIFICATIONS:

Rated voltage & current: 5VDC @ 0.5A or 7VDC@1.6A

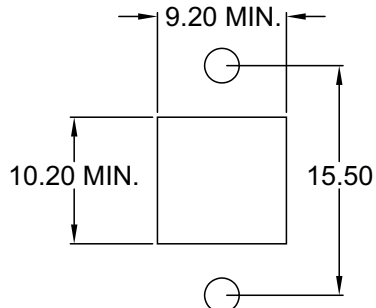
Insulation resistance: >100 Mohm @ 500VDC

Dielectric withstanding voltage: 250VAC for one minute

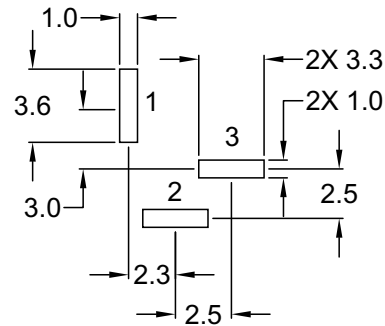
Contact resistance: 30 mohm max



RECOMMENDED FRONT PANEL CUTOUT

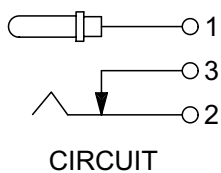


RECOMMENDED REAR PANEL CUTOUT



RECOMMENDED PCB LAYOUT (TOP VIEW)

REV	DATE	CHANGE	CHNG CHECK		APPR	
			WAS	CRSN	TD	PB
			ADD	7VDC@1.6A	TD	PB
			A	12/4/03	B	12/15/03



CIRCUIT

PART NUMBER	Ø D
DC-001-A-CVSH	2.0
DC-001-C-CVSH	2.3
DC-001-B-CVSH	2.5

TOLERANCE UNLESS OTHERWISE SPECIFIED	
X	± 1
X.X	± 0.4
X.XX	± 0.20
DRAWN BY	TD
DATE:	10/07/99
CHECK BY	PB
DATE:	3/24/00
APPR BY	JJ
DATE:	3/27/00

**Power Dynamics, Inc.**

Phone: 973 560-0019 Whippany, New Jersey Fax: 973 560-0076

PART: DC POWER JACK  
PANEL AND/OR PCB MOUNT

DC-001-X-CVSH		SHEET 1 of 1
PART #:	DC-001-X-CVSH	REV: B
SIZE: A	ALL DIMENSIONS FOR REFERENCE ONLY DIMENSIONS ARE IN MILLIMETERS	
SCALE: NTS		

6

5

4

3

2

1

6

5

4

3

2

1

## MATERIAL AND FINISH

Housing: PC, UL-94V-0 Rated  
 Insulator: Phenol Resin  
 Contacts: 1. Bronze, Silver Plated  
 2. Steel, Silver Plated  
 3. Bronze, Nickel Plated

## MECHANICAL SPECIFICATIONS:

Insertion Force: 0.2Kg ~ 3.0Kg  
 Extraction Force: 0.2 Kg ~ 3.0Kg  
 Unloaded Life Cycles: 10000 Cycles @ 40 cycles per minute  
 Loaded Life Cycles: 3000 Cycles @ 20 cycles per minute

## ELECTRICAL SPECIFICATIONS:

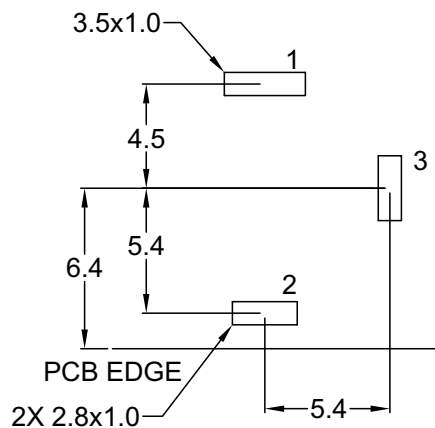
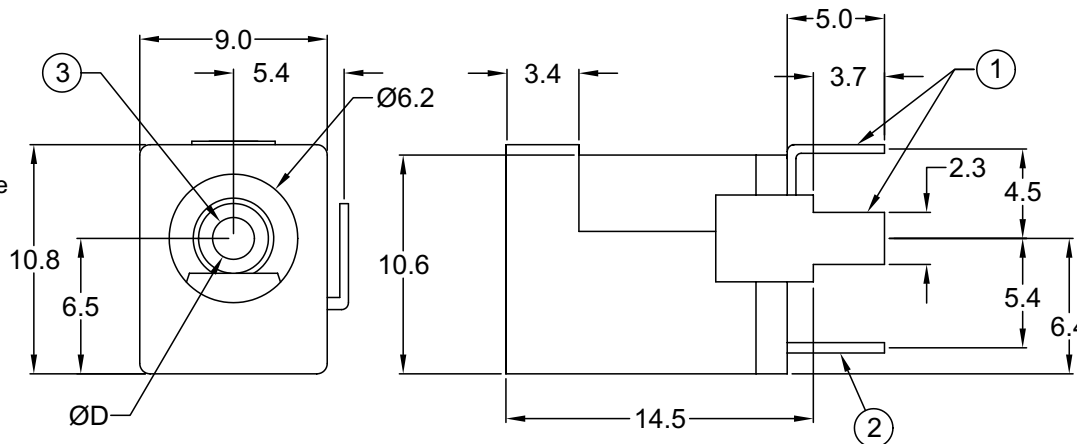
Rated Current: 1A @ 30VDC  
 Insulation Resistance: 60 Mohm min. at 500VDC  
 Dielectric Withstanding Voltage: 500VAC for one minute  
 Contact Resistance: 30 mohms max.

## SOLDERABILITY:

Solder Temp: 200°C for 6 sec.

## Environmental:

Operating Temperature: -10°C TO +60°C



RECOMMENDED PCB  
 LAYOUT TOP VIEW

P/N	"D" PIN DIA.
DC-001-A-CVSN	2.0
DC-001-B-CVSN	2.5
DC-001-C-CVSN	2.3
DC-001-J-CVSN	1.7

TOLERANCE  
 UNLESS OTHERWISE SPECIFIED

X ± 1  
 X.X ± 0.4  
 X.XX ± 0.20

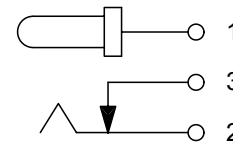
DRAWN BY	BP	DATE:	10/30/01
CHECK BY	TD	DATE:	10/30/01
APPR BY		DATE:	

**Power Dynamics, Inc.**

Phone: 973 560-0019 Whippany, New Jersey Fax: 973 560-0076

PART: DC POWER JACK; VERTICAL; PCB MOUNT  
 1.7, 2.0, 2.3, & 2.5mm PIN OPTIONS

PART #: DC-001-X-CVSN		SHEET 1 of 1
SIZE: A	ALL DIMENSIONS FOR REFERENCE ONLY DIMENSIONS ARE IN MILLIMETERS	REV: A
SCALE: NTS		



SCHEMATIC

REVISIONS

REV	DATE	CHANGE	CHNG	CHK	APPR
A	6/7/02	REV PCB LAYOUT, ADD DIM	TD		PB

6

5

4

3

2

1

6

5

4

3

2

1

## MATERIAL AND FINISH

Insulator: Polycarbonate + glass fiber, UL-94V-0 rated

## Terminals:

1. Bronze, Silver plated
2. Phosphor bronze, Silver plated
3. Bronze, Silver plated
4. Bronze Nickel plated

## MECHANICAL SPECIFICATIONS:

Unloaded life cycle: 10000 cycles @ 40 cycles/minute

Loaded life cycle: 3000 cycles @ 20 cycles/minute

Insertion force: 0.2 ~ 3.0 kg

Withdrawal force: 0.2 ~ 3.5 kg

## SOLDERABILITY:

Solder temperature: 200°C for 6 sec.

## ELECTRICAL SPECIFICATIONS:

Rated current: 1A

Rated voltage: 30VDC

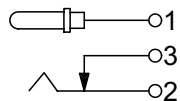
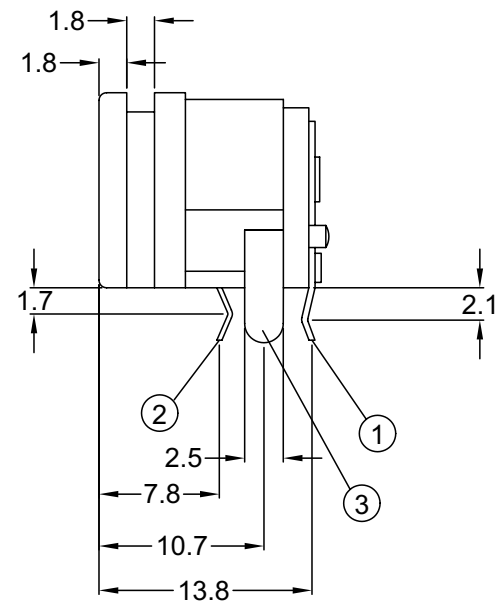
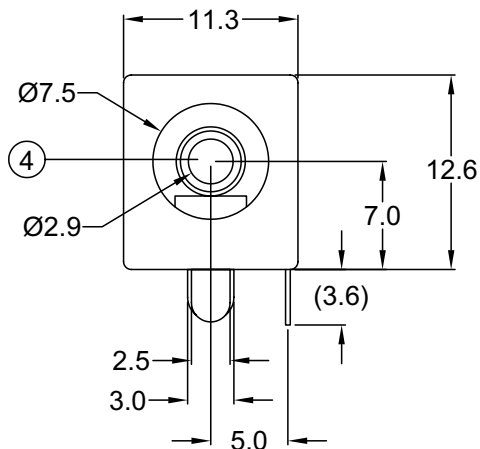
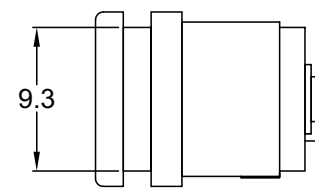
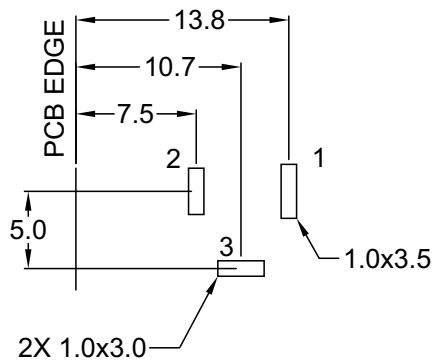
Insulation resistance: 60 Mohm min. at 500VDC

Dielectric withstanding voltage: 500VAC for one minute

Contact resistance: 30 mohm max

## ENVIRONMENTAL:

Operating temperature: -10°C ~ +60°C



CIRCUIT

TOLERANCE  
UNLESS OTHERWISE SPECIFIED

X ± 1  
X.X ± 0.4  
X.XX ± 0.20

DRAWN BY	JA	DATE:	5/16/94
CHECK BY	LH	DATE:	9/25/98
APPR BY	SS	DATE:	9/25/98

**Power Dynamics, Inc.**

Phone: 973 560-0019 Whippany, New Jersey Fax: 973 560-0076

PART: DC POWER JACK; 2.9 DIA. PIN  
RIGHT ANGLE; PCB MOUNT

DC-001-G-CRPN

PART #:

SIZE: A  
SCALE: NTSALL DIMENSIONS FOR REFERENCE ONLY  
DIMENSIONS ARE IN MILLIMETERSSHEET  
1 of 1

REV: B

REVISIONS

REV	DATE	CHANGE	CHNG CHECK	APPR
A	9/17/98	REDRAWN	LPH	PB
B	2/13/03	UPDATED DRAWING	PB	TD

6

5

4

3

2

1

6 5 4 3 2 1

**MATERIAL AND FINISH**  
 Housing: Polycarbonate, UL-94V-0 rated  
 Terminals:  
 1. Bronze, Silver plated  
 2. Steel, Silver plated  
 3. Bronze, Silver plated  
 Pin: Bronze, Nickel plated

**MECHANICAL SPECIFICATIONS:**  
 Insertion force: 3kg max.  
 Withdrawal force: 3kg max.

**ELECTRICAL SPECIFICATIONS:**  
 Rated current: 3A max.  
 Rated voltage: 30VDC  
 Insulation resistance: 100 Mohm min. @ 500VDC  
 Dielectric withstanding voltage: 500VAC for one minute  
 Contact resistance: 30 mohm max.

EDGE OF PC BOARD

RECOMMENDED PCB LAYOUT (TOP VIEW)

D C B A

REVISIONS	CHANGE	CHNG	CHK	APPR
	DATE	4/24/03		
	REV	A		

CIRCUIT

PART NUMBER	Ø D
DC-001-F-CRLN	1.0
DC-001-E-CRLN	1.3

TOLERANCE UNLESS OTHERWISE SPECIFIED	
X	± 1
X.X	± 0.4
X.XX	± 0.20
DRAWN BY	PB
DATE:	4/27/00
CHECK BY	TD
DATE:	4/27/00
APPR BY	JJ
DATE:	4/27/00

**Power Dynamics, Inc.**  
 Phone: 973 560-0019 Whippany, New Jersey Fax: 973 560-0076

PART: DC POWER JACK, RIGHT ANGLE PCB MOUNT

**DC-001-X-CRLN**

SIZE: A SCALE: NTS

ALL DIMENSIONS FOR REFERENCE ONLY DIMENSIONS ARE IN MILLIMETERS

SHEET 1 of 1 REV: A

6 5 4 3 2 1

6

5

4

3

2

1

### MATERIAL AND FINISH

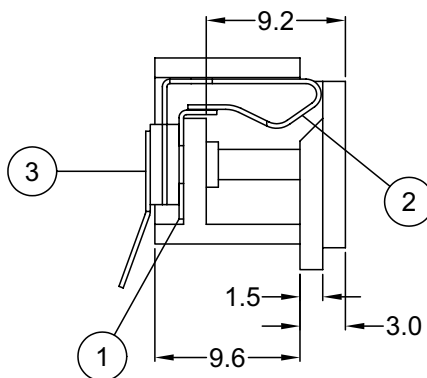
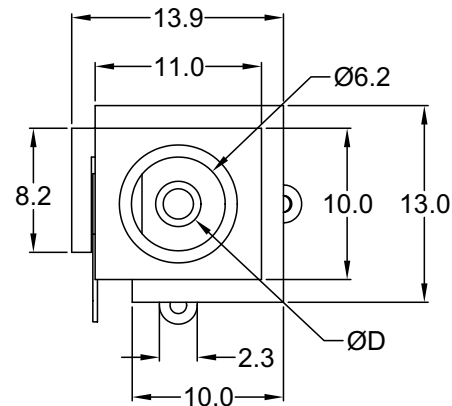
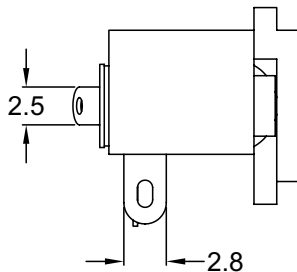
Insulator: ABS, UL-94HB rated  
 Pin contact: Bronze Nickel plated  
 Terminals:  
 1 & 3 Bronze, Silver plated  
 2. Steel, Silver plated

### MECHANICAL SPECIFICATIONS:

Jack shall withstand 3000 (20 cycles / min) cycles of insertion and withdrawal.  
 Insertion & extraction force: 0.1 - 3.0 kg  
 Solderability: 200°C for 5 sec

### ELECTRICAL SPECIFICATIONS:

Rated current: 1A  
 Rated voltage: 30VDC  
 Insulation resistance: 60 Mohm min @ 500VDC  
 Dielectric withstanding voltage: 500VAC for one minute  
 Contact resistance: 30 mohm max



	1	P/N	Ø D
	3	DC-001-A-CRSF	2.0
	2	DC-001-C-CRSF	2.3
CIRCUIT		DC-001-B-CRSF	2.5

TOLERANCE UNLESS OTHERWISE SPECIFIED	
X	± 1
X.X	± 0.4
X.XX	± 0.20
DRAWN BY	TD
CHECK BY	JJ
APPR BY	PB
DATE:	7/27/00
DATE:	8/1/00
DATE:	8/1/00

**Power Dynamics, Inc.**  
 Phone: 973 560-0019 Whippany, New Jersey Fax: 973 560-0076

PART: DC POWER JACK  
 2.0 ~ 2.5mm PIN DIAMETER

**DC-001-X-CRSF**

ALL DIMENSIONS FOR REFERENCE ONLY  
 DIMENSIONS ARE IN MILLIMETERS

SHEET 1 of 1  
 REV:

D

C

B

A

REVISIONS	CHNG	CHK	APPR
REV	DATE	CHANGE	

6

5

4

3

2

1

**MATERIAL AND FINISH**

Insulator: Polycarbonate, UL-94V-0 rated  
 Pin contact: Bronze Nickel plated  
 Terminals:  
 1. Bronze, Silver plated  
 2. Steel, Silver plated

**MECHANICAL SPECIFICATIONS:**

Insertion force: 0.2kg - 3kg  
 Extraction Force: 0.2kg - 3kg  
 Unloaded life test: 10000 cycles  
 Max. operating frequency: 40 cycles per minute  
 Loaded life test: 3000 cycles  
 Max. operating frequency: 20 cycles per minute

**ELECTRICAL SPECIFICATIONS:**

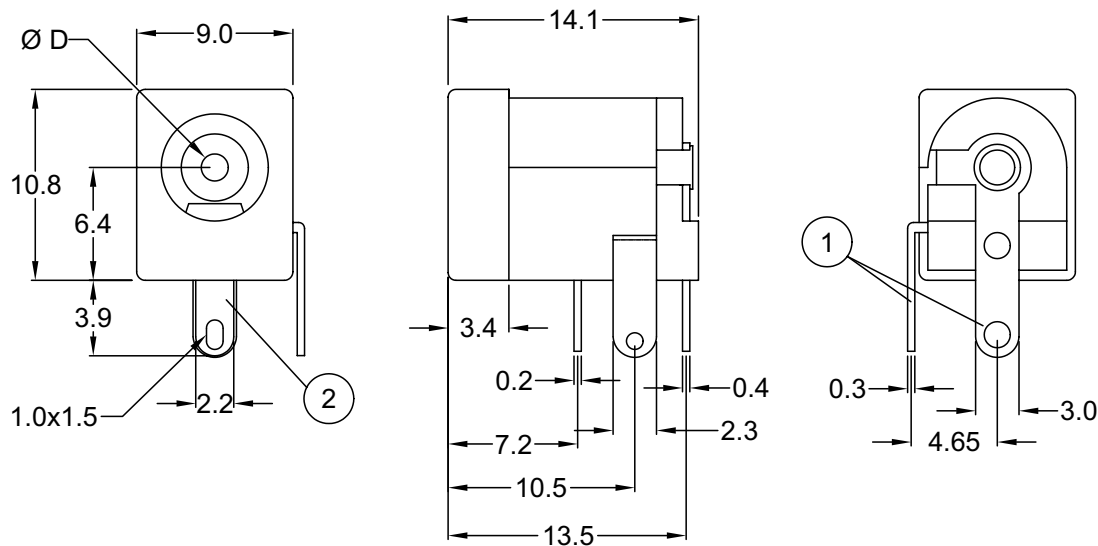
Rated current: 1A  
 Rated voltage: 30V DC  
 Insulation resistance: 60 Mohm min. @ 500VDC  
 Dielectric withstanding voltage: 500VAC for one minute  
 Contact resistance: 30 mohm max.

**ENVIRONMENTAL:**

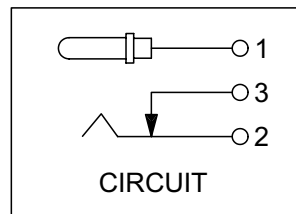
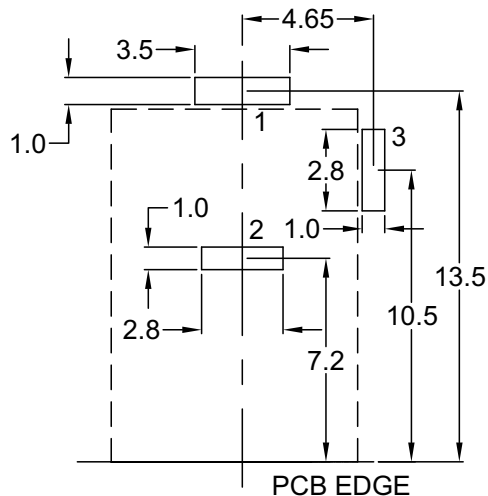
Operating temperature: -10°C ~ +60°C

**SOLDERABILITY:**

Solder time: 6 seconds  
 Solder temp: 200°C



**RECOMMENDED  
 PCB LAYOUT  
 (TOP VIEW)**



PART NUMBER	Ø D±0.03
DC-001-A-CRSN	2.0
DC-001-C-CRSN	2.3
DC-001-B-CRSN	2.5
DC-001-J-CRSN	1.7

REV	DATE	CHANGE	CHNG CHECK		APPR	
			PB	TD	PB	TD
UPDATED SPECS			REVISED		ADD OPERATING T°	
ADD PIN TOL.						
A	12/15/00					
B	3/12/02					
C	5/28/03					
D	12/15/03					

TOLERANCE UNLESS OTHERWISE SPECIFIED		
X	±	1
X.X	±	0.4
X.XX	±	0.20

DRAWN BY	DT	DATE:	6/01/00
CHECK BY	JJ	DATE:	6-1-00
APPR BY	SS	DATE:	6-1-00

**Power Dynamics, Inc.**  
 Phone: 973 560-0019 Whippany, New Jersey Fax: 973 560-0076

**PART: DC POWER JACK**  
 1.7 - 2.5 mm Ø PIN

**DC-001-X-CRSN**

ALL DIMENSIONS FOR REFERENCE ONLY  
 DIMENSIONS ARE IN MILLIMETERS

SHEET 1 of 1  
 REV: D

6

5

4

3

2

1

**MATERIAL AND FINISH:**

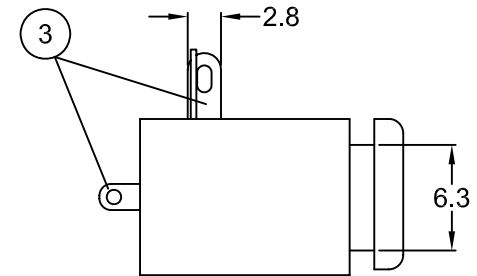
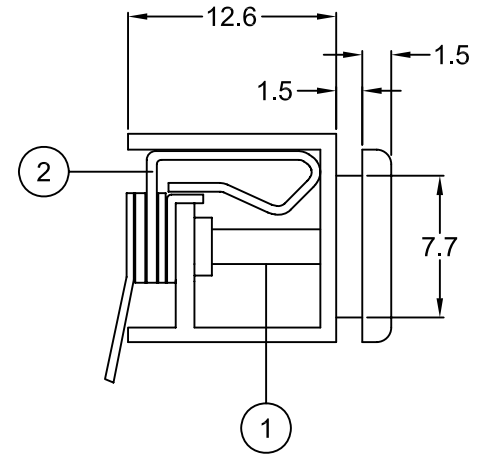
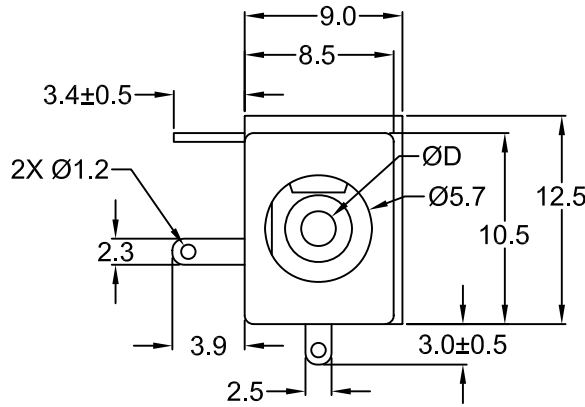
Insulator: ABS, UL-94V-0 rated  
 Pin contact: Bronze Nickel plated  
 Terminals:  
 1. Bronze, Nickel plated  
 2. Steel, Silver plated  
 3. Bronze, Silver plated

**MECHANICAL SPECIFICATIONS:**

Insertion & withdrawal force: 0.2 - 3.0kg  
 Unloaded life test: 5000 cycles, 20 - 30 cycles/min.  
 Loaded life test: 3000 cycles, 18 - 20 cycles/min.

**ELECTRICAL SPECIFICATIONS:**

Rated current: 3A max.  
 Rated voltage: 30VDC max.  
 Insulation resistance: 50 Mohm min @ 500VDC  
 Dielectric withstanding voltage: 250VAC for one minute  
 Contact resistance: 30 mohm max



D

D

C

C

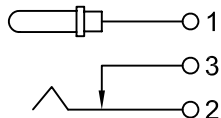
B

B

A

A

REV	DATE	CHANGE	CHNG		CHK		APPR	
			TD	PB	TD	PB	TD	PB
A	3/28/02	REV'D & UP'D						
B	4/19/07	UPDATED SPECS-ADD RoHS						



CIRCUIT

PART NUMBER	Ø D
DC-001-A-CRSS	2.0
DC-001-C-CRSS	2.3
DC-001-B-CRSS	2.5

TOLERANCE UNLESS OTHERWISE SPECIFIED	
X	± 1
X.X	± 0.4
X.XX	± 0.20

DRAWN BY	TD	DATE:	03/30/99
CHECK BY	PAJ	DATE:	3/30/99
APPR BY	SS	DATE:	3/30/99

**Power Dynamics, Inc.**

Phone: 973 560-0019 Whippany, New Jersey Fax: 973 560-0076

PART: DC POWER JACK  
PIN DIA. 2.0, 2.3 & 2.5mm

PART #: DC-001-X-CRSS		SHEET 1 of 1
SIZE: A	ALL DIMENSIONS FOR REFERENCE ONLY DIMENSIONS ARE IN MILLIMETERS	REV: B
SCALE: NTS		

RoHS  
COMPLIANT

6

5

4

3

2

1

6

5

4

3

2

1

MATERIAL AND FINISH

Terminals: 1. Bronze, Silver Plated  
2. Steel, Silver Plated  
3. Bronze, Silver Plated

Insulator: 4. Polycarbonate, UL-94V-0 Rated  
5. Phenol Resin

Pin: Bronze, Nickel Plated

MECHANICAL SPECIFICATIONS:

Unloaded Life Test: 5000 cycles, 20-30 cycles per minute  
Loaded Life Test: 3000 cycles, 18-20 cycles per minute

Insertion Force:

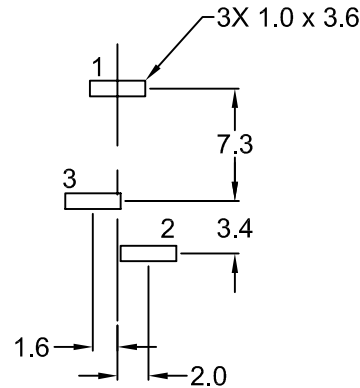
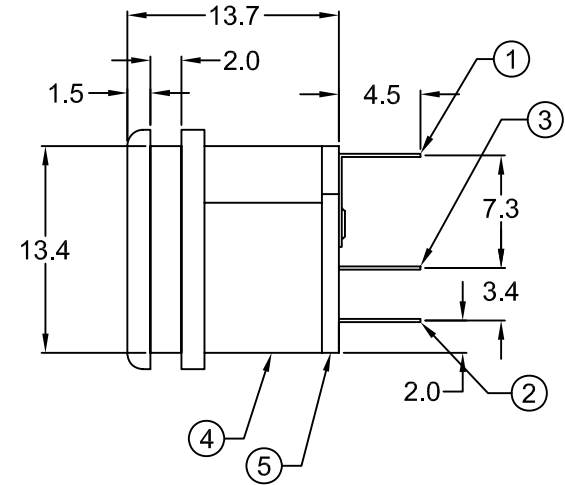
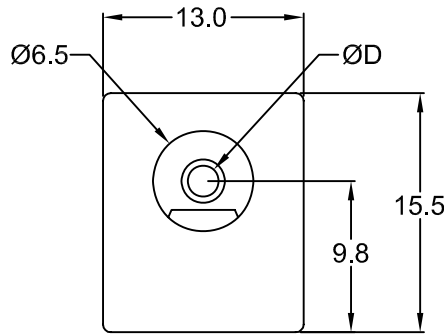
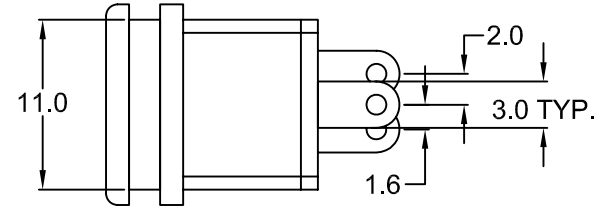
Before Loaded Life Test: 0.2kg - 3.0kg  
After Loaded Life Test: 0.1kg - 3.0kg

Extraction Force:

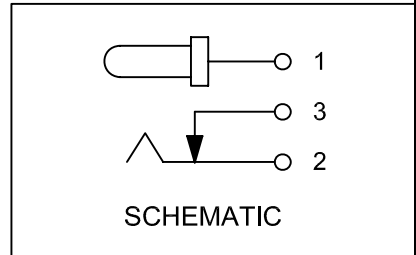
Before Loaded Life Test: 0.2kg - 3.0kg  
After Loaded Life Test: 0.1kg - 3.0kg

ELECTRICAL SPECIFICATIONS:

Rated Current: 3A max  
Rated Voltage: 30VDC  
Contact Resistance: 30 mohm max  
Insulation Resistance: 100 Mohm min. at 500VDC  
Dielectric Withstanding Voltage: 500VAC for one minute



RECOMMENDED PCB LAYOUT



REVISIONS		CHANGE	CHK	CHK	APPR
REV	DATE	DESCRIPTION	PB	TD	
A	5/10/00	UPDATED DRAWING	PB	TD	JJ
B	3/14/06	TERM. LENGTH WAS 5.3mm	PB		

PART NUMBER	"D" PIN DIA.
DC-001-A-CVSS	2.0
DC-001-B-CVSS	2.5

TOLERANCE UNLESS OTHERWISE SPECIFIED	
X	± 1
X.X	± 0.4
X.XX	± 0.20

DRAWN BY	TD	DATE:	3/16/99
CHECK BY		DATE:	
APPR BY		DATE:	

**Power Dynamics, Inc.**  
 Phone: 973 560-0019 Whippany, New Jersey Fax: 973 560-0076

PART: DC POWER JACK  
 PIN DIA. 2.0 OR 2.5

PART #: **DC-001-X-CVSS**

SIZE: A ALL DIMENSIONS FOR REFERENCE ONLY  
 SCALE: NTS DIMENSIONS ARE IN MILLIMETERS

SHEET 1 of 1  
 REV: B

6

5

4

3

2

1



6

5

4

3

2

1

MATERIAL AND FINISH

Housing: POM, UL-94V-0 Rated

Terminals:

1 & 3. Bronze, Silver plated

2. Steel, Silver plated

Pin: Bronze, Nickel Plated

MECHANICAL SPECIFICATIONS:

Life cycles: 5000 cycles @ 20 cycles/min.

Insertion force: 3 Kg max

Withdrawal force: 3 Kg max

ELECTRICAL SPECIFICATIONS:

Rated current: 0.5A

Rated voltage: 30VDC

Insulation resistance: 60 Mohm min @ 500VDC

Dielectric withstanding voltage: 500VAC for one minute

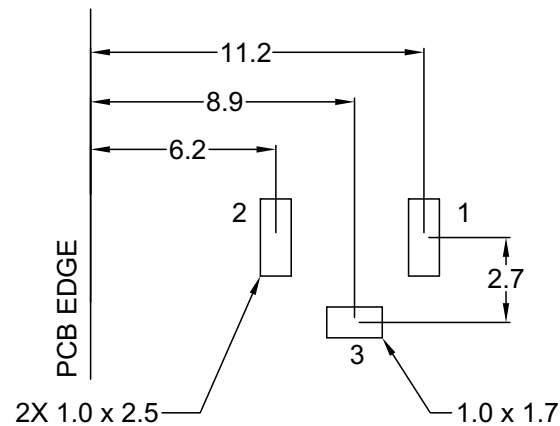
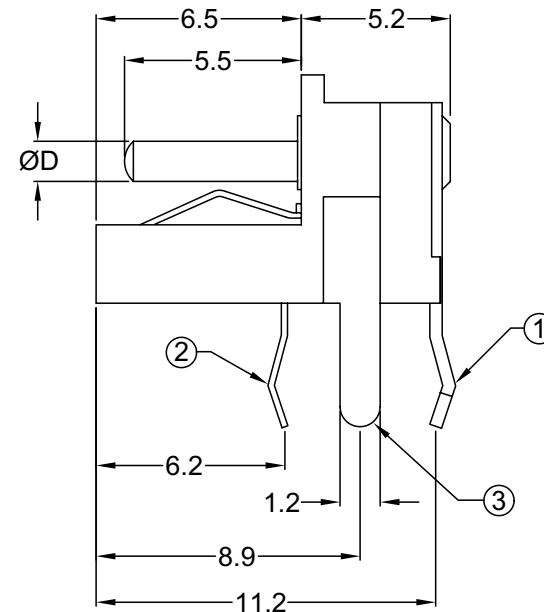
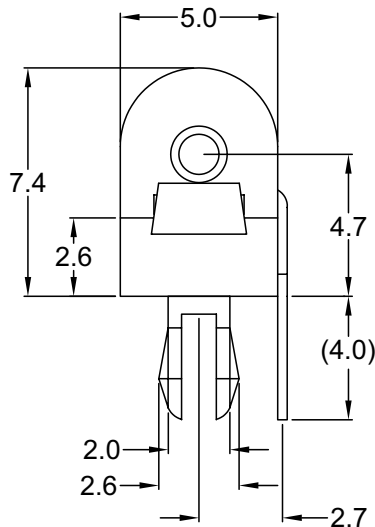
Contact resistance: 30 mohm max

SOLDERABILITY:

Solder temp. & time: 200°C for 5 sec.

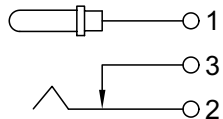
ENVIRONMENTAL:

Operating temperature: -10°C ~ +60°C



RECOMMENDED PCB LAYOUT (TOP VIEW)

REV	DATE	CHANGE	CHNG CHECK		APPR	
			PB	TD	PB	TD
			UPDATED DWG & SPECS		REVISED DWG	
			A	9/28/01	B	9/15/03



CIRCUIT

PART NUMBER	PIN ØD
DC-001-F-ORLN	1.0mm
DC-001-E-ORLN	1.3mm

TOLERANCE UNLESS OTHERWISE SPECIFIED			
X	± 1		
X.X	± 0.4		
X.XX	± 0.20		
DRAWN BY	TD	DATE:	8/31/99
CHECK BY	JJ	DATE:	9/1/99
APPR BY	SS	DATE:	9/1/99

**Power Dynamics, Inc.**

Phone: 973 560-0019 Whippany, New Jersey Fax: 973 560-0076

PART: OPEN TYPE, R/A DC POWER JACK, PCB MOUNT

PART #: DC-001-X-ORLN		SHEET 1 of 1
SIZE: A	ALL DIMENSIONS FOR REFERENCE ONLY DIMENSIONS ARE IN MILLIMETERS	REV: B
SCALE: NTS		

6

5

4

3

2

1

6

5

4

3

2

1

### MATERIAL AND FINISH

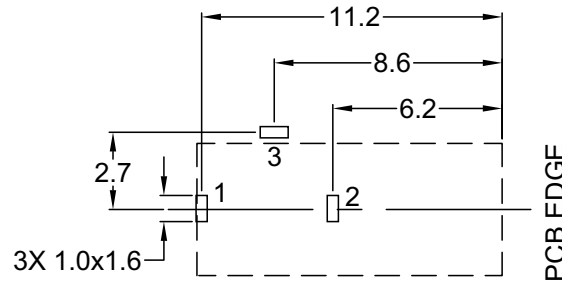
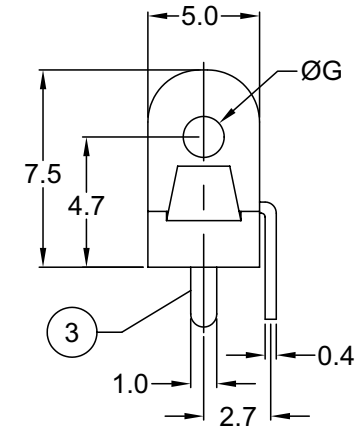
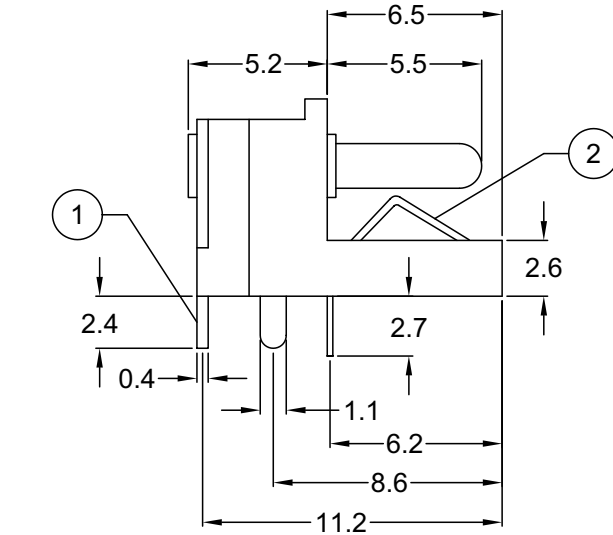
Insulator: POM  
 Pin contact: Bronze Nickel plated  
 Terminals:  
 1 & 3. Bronze, Silver plated  
 2. Steel, Silver plated

### ELECTRICAL SPECIFICATIONS:

Rated current: 1A-3A  
 Rated voltage: 30V DC  
 Insulation resistance: 100 Mohm min @ 500VDC  
 Dielectric withstanding voltage: 500VAC for one minute  
 Contact resistance: 30 mohm max

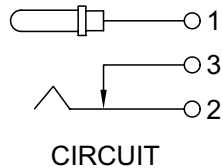
### MECHANICAL SPECIFICATIONS:

Insertion force: 0.2Kg-3.0Kg  
 Withdrawal force: 0.2Kg-3.0Kg  
 Durability: 5000 cycles (unloaded, 20-30 cycles/min)  
 3000 cycles (loaded, 18-20 cycles/min)



RECOMMENDED  
PCB LAYOUT (TOP VIEW)

REVISIONS	CHANGE	CHNG	CHK	APPR	SLS	SS
	UPDATED DWG	TD	JJ	SS		
	DATE	9/25/97	4/12/00			
	REV	A	B			



PART NUMBER	PIN ØG
DC-001-F-ORPN	1.0mm
DC-001-E-ORPN	1.3mm

TOLERANCE UNLESS OTHERWISE SPECIFIED	
X	± 1
X.X	± 0.4
X.XX	± 0.20
DRAWN BY	JA
CHECK BY	
APPR BY	
DATE:	2/1/93
DATE:	
DATE:	

**Power Dynamics, Inc.**  
 Phone: 973 560-0019 Whippany, New Jersey Fax: 973 560-0076

PART: DC POWER JACK, 1.0 ~ 1.3mm  
 PIN DIA., PCB MOUNT

PART #: DC-001-X-ORPN		SHEET 1 of 1
SIZE: A	ALL DIMENSIONS FOR REFERENCE ONLY DIMENSIONS ARE IN MILLIMETERS	
SCALE: NTS	REV: B	

6

5

4

3

2

1

MATERIAL AND FINISH

Insulator: Polycarbonate, UL-94V-0 rated  
Pin contact: Bronze Nickel plated  
Terminals: Bronze, Silver over Nickel plated

MECHANICAL SPECIFICATIONS:

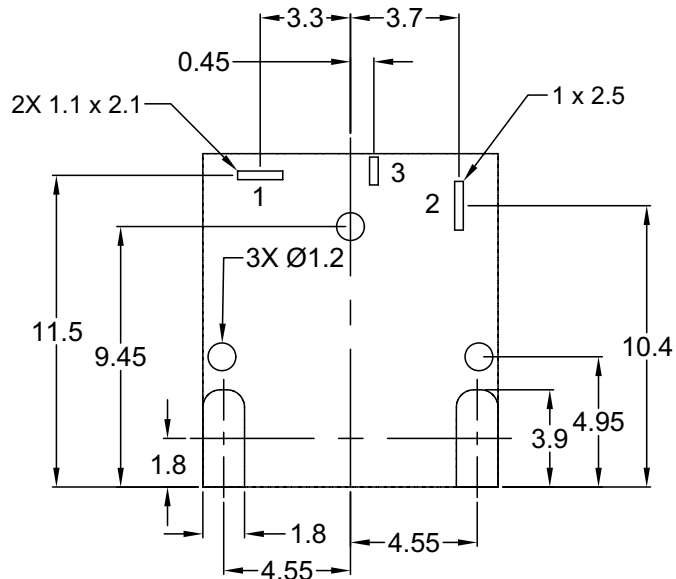
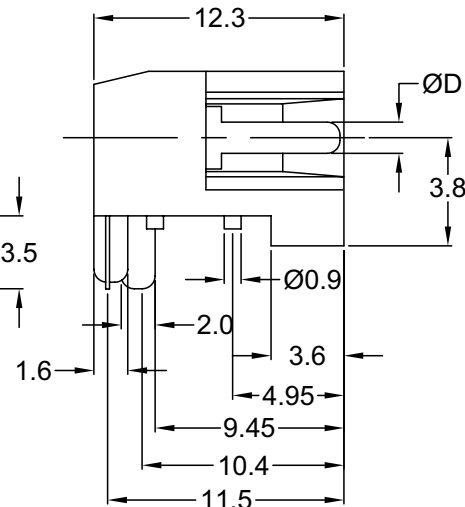
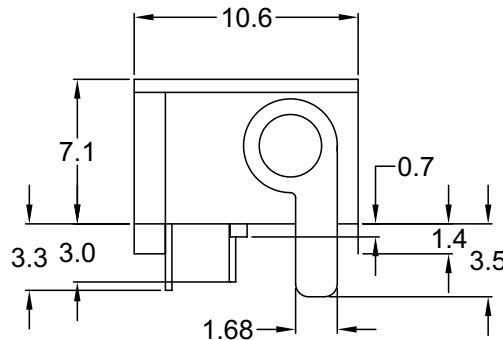
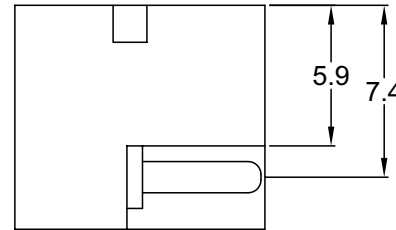
Insertion force: 0.3kg - 1kg  
Withdrawal force: 0.2kg - 0.8kg  
Durability (loaded test): 3000 cycles @ 20 cycles/min of insertion and withdrawal.  
Soldering temperature: 200°C 6s

ELECTRICAL SPECIFICATIONS:

Rated current: 1A  
Rated voltage: 30VDC  
Insulation resistance: 60 Mohm @ 500VDC  
Dielectric withstanding voltage: 500VAC for one minute  
Contact resistance: 30 mohm max

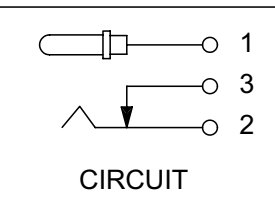
ENVIRONMENTAL:

Operating temperature: -10°C to +60°C



RECOMMENDED PCB LAYOUT (TOP VIEW)

PART NUMBER	PIN ØD
DC-001-A-RRPN	2.0mm
DC-001-C-RRPN	2.3mm
DC-001-B-RRPN	2.5mm



REV	DATE	CHANGE	CHNG CHECK		APPR
			TD	SS	
A	3/16/99	ADD UL-94V-0 RATED	TD	SS	PB
B	2/17/01	UPDATED & REVISED	TD	SS	PB

TOLERANCE UNLESS OTHERWISE SPECIFIED		
X	±	1
X.X	±	0.4
X.XX	±	0.20

DRAWN BY	TD	DATE:	03/16/99
CHECK BY	TD	DATE:	03/16/99
APPR BY	SS	DATE:	3/16/99

**Power Dynamics, Inc.**  
Phone: 973 560-0019 Whippany, New Jersey Fax: 973 560-0076

PART: DC POWER JACK  
PIN DIA 2.0, 2.3, 2.5

**DC-001-X-RRPN**

SIZE: A	ALL DIMENSIONS FOR REFERENCE ONLY DIMENSIONS ARE IN MILLIMETERS	SHEET 1 of 1 REV: B
SCALE: NTS		