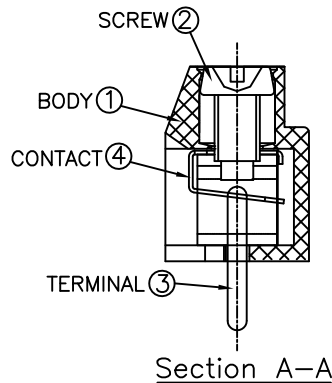
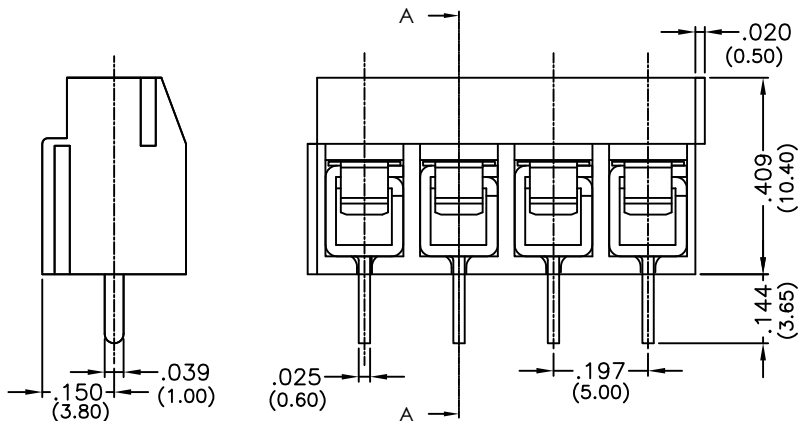
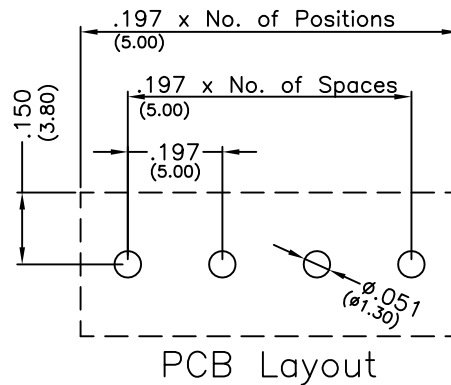
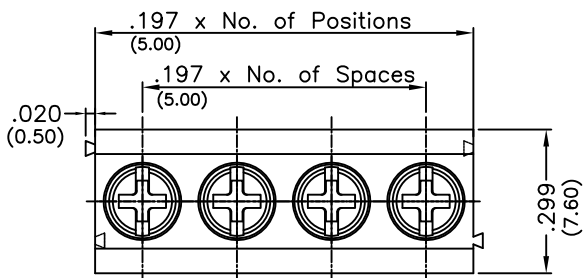


Major League Electronics .197 cl Wire Protector Terminal Blocks



Ordering Information

TBW-04-197-XX-XX-LF

Pitch
197 = .197 (5.00) cl

No. of Positions
02 - 24

LF — Lead Free

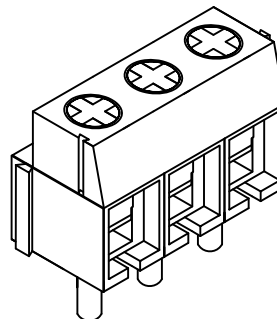
- Color
- GR = Green (Standard)
 - BK = Black
 - BL = Blue
 - WH = White
 - GY = Grey
 - OR = Orange
 - YW = Yellow
 - RD = Red
 - BR = Brown

Specifications

- Current Rating: 10 Ampere
- Voltage Rating: AC 250V
- Wire Range: 14-24 AWG
- Dielectric Withstanding Voltage: AC 1500V/1 minute
- Insulation Resistance: DC 500V 500MΩ
- Operating Temperature: -33°C to + 105°C
- Max Torque: 3.04 lb-in (3.5kgf. cm)
- Strip Length: .236-.276 (6-7mm)

Materials

1. Body: PA66 (Nylon), UL94 V-0
2. Screw: M2.5, C1018 Steel, Zinc Plated
3. Terminal: H62 Brass, Tin Plated
4. Contact: SUS301 Stainless Steel



Parts are subject to change without notice

TBW-04-197-XX-XX-LF

.197cl Wire Protector Terminal Block
Interlock

03 DEC 08

Scale
NTS

UNLESS OTHERWISE SPECIFIED
DIMENSIONS IN INCHES (MM)
TOLERANCES IN INCHES:

ONE DECIMAL PLACE ±0.30
TWO DECIMAL PLACE ±0.20
THREE DECIMAL PLACE ±0.15
FOUR DECIMAL PLACE ±0.10



4235 Earnings Way, New Albany, Indiana, 47150, USA
1-800-782-3486 (USA/Canada/Mexico)
Tel: 812-944-7244
Fax: 812-944-7268
E-mail: mle@mlelectronics.com
Web: www.mlelectronics.com

Revision
B

Sheet
1/2

