

## FEATURES



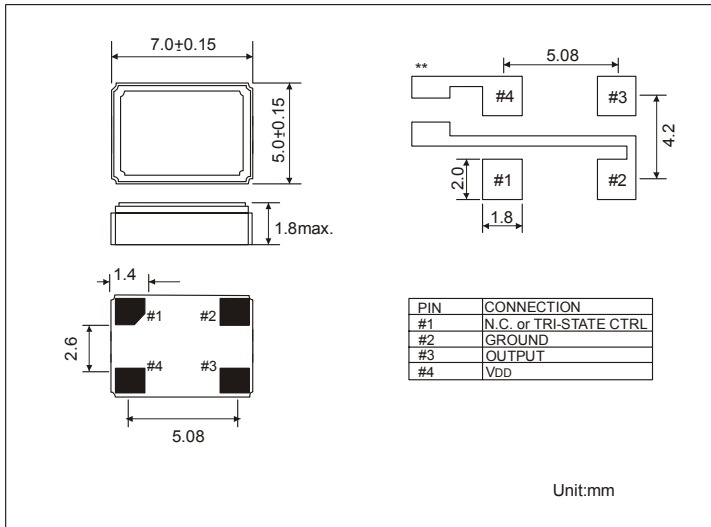
- HIGH RELIABILITY FOR LOW COST
- 1.8 VDC SUPPLY VOLTAGE
- SUITABLE FOR PORTABLE APPLICATIONS
- VERY LOW POWER CONSUMPTION
- JITTER OPTIMIZED SMALL SMD-OSCILLATOR
- EXTENDED TEMPERATURE RANGE TO -40/+85°C DELIVERABLE

<b>SMD-OSCILLATOR SERIES</b>		SXO18-0507	
<b>PACKAGE</b>		Ceramic 7.0 x 5.0 x 1.8 mm <sup>3</sup>	
<b>FREQUENCY RANGE</b>		0.250 ~ 70.0 MHz	
<b>FREQUENCY STABILITY</b>		+/-15 ~ +/-100 ppm	
<b>OPERATING TEMPERATURE RANGE</b>		-10/+60°C ~ -40/+85°C	
<b>STORAGE TEMPERATURE RANGE</b>		-55/+125°C	
<b>INPUT</b>	<b>VOLTAGE</b>	+1.8 VDC +/-10%	
	<b>CURRENT</b>	3 mA max. < 30 MHz / 18 mA max. < 70 MHz	
<b>OUTPUT</b>	<b>SIGNAL</b>		HCMOS
	<b>SYMMETRY</b>	<b>STANDARD</b>	40/60% @50% VDD
		<b>OPTION</b>	45/55% @50% VDD
	<b>RISE AND FALL TIME</b>		10 nS max. (10% VDD to 90% VDD)
	<b>"0" LEVEL</b>		10% VDD max.
	<b>"1" LEVEL</b>		90% VDD min.
<b>LOAD</b>		15 pF	
<b>START-UP TIME</b>		10 ms max.	
<b>PERIOD JITTER RMS</b>		8 ps max.	
<b>PIN CONNECTION</b>		SEE OUTLINE DRAWING	
<b>DELIVERY FORM</b>		TAPE & REEL / 1.000 pcs per reel	
<b>OTHER PARAMETERS ARE AVAILABLE ON REQUEST / CREATE HERE YOUR SPECIFICATION</b>			

## PART NUMBERING SYSTEM

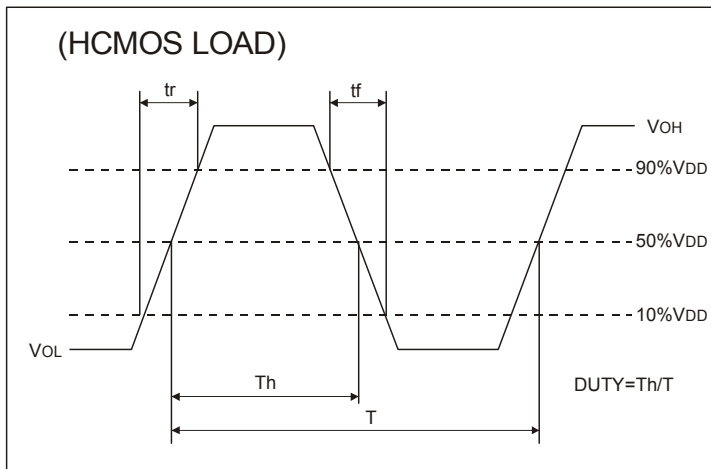
<b>EXAMPLE</b>	SXO18-0507-S-E-50-W-27.000MHz-T
<b>SERIES</b>	SXO18-0507
<b>SYMMETRY</b>	BLANK = 40/60% S = 45/55%
<b>PIN 1 ENABLE/DISABLE</b>	BLANK FOR NO E/D E FOR E/D
<b>FREQUENCY STABILITY VS. TEMPERATURE</b>	BLANK = 100 PPM ANY 15 - 50 PPM
<b>TEMPERATURE RANGE</b>	BLANK FOR 0/+70°C N = -10/+60°C M = -20/+70°C W = -40/+85°C
<b>FREQUENCY</b>	REQUIRED FREQUENCY IN MHz
<b>DELIVERY FORM</b>	T = TAPE AND REEL

## OUTLINE DRAWING OF SXO18-0507



\*\*A capacitor of value 0.01  $\mu\text{F}$  or greater between VDD and GROUND is recommended

## OUTPUT WAVE FORM HCMOS



## TEST CIRCUIT HCMOS

