

Customer Information Sheet

DRAWING No.: M20-876XXXXR

SHEET 3 OF 4

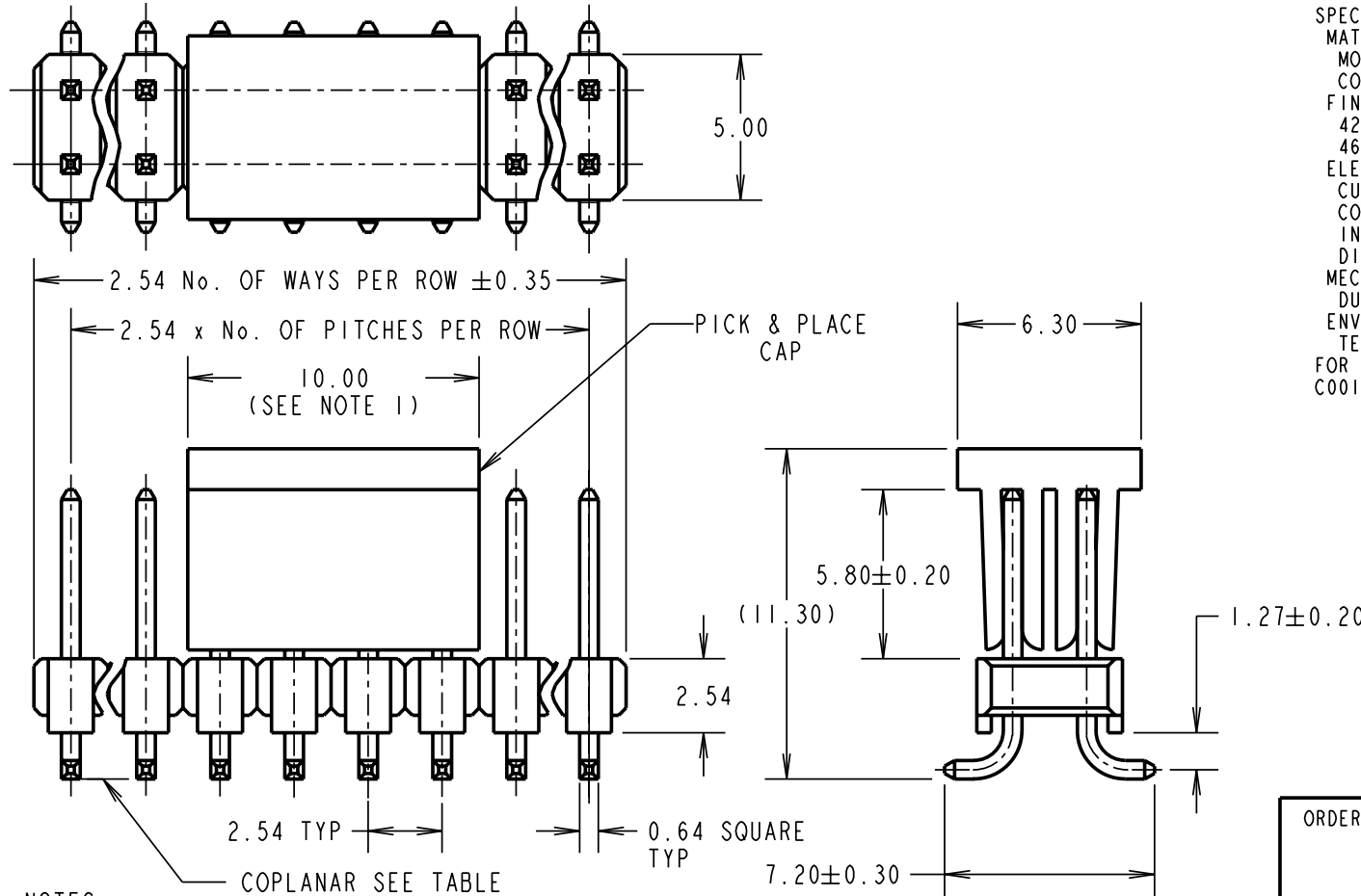
IF IN DOUBT - ASK

©

NOT TO SCALE

THIRD ANGLE PROJECTION

ALL DIMENSIONS IN mm



SPECIFICATION:

MATERIAL:

MOULDING = NYLON 6T UL94V-0, BLACK

CONTACT = BRASS

FINISH:

42 = SELECTIVE GOLD ON CONTACT AREA, 100% TIN ON TAILS

46 = 100% TIN

ELECTRICAL:

CURRENT RATING = 3A MAX

CONTACT RESISTANCE = 30 mΩ MAX (TIN), 25 mΩ MAX (GOLD)

INSULATION RESISTANCE = 1,000 MΩ MIN

DIELECTRIC STRENGTH = 750V AC/DC

MECHANICAL:

DURABILITY = 50 OPERATIONS (TIN), 300 OPERATIONS (GOLD)

ENVIRONMENTAL:

TEMPERATURE RANGE = -40°C TO +105°C

FOR COMPLETE SPECIFICATION, SEE COMPONENT SPECIFICATION COO1XX (LATEST ISSUE)

No OF CONTACTS	COPLANARITY TOLERANCE
2x02 TO 2x12	0.10mm MAX
2x13 TO 2x17	0.15mm MAX

NOTES:

- FOR 4+4-WAYS AND LESS, CAP LENGTH = 6.00mm.
- SEE DRAWING M20-876XXXXP FOR PICK AND PLACE VERSION, M20-876XXXX FOR STANDARD PRODUCT.
- CO-PLANARITY: FLATNESS OF SMT TAILS MUST NOT EXCEED VALUES GIVEN IN TABLE.
- ALL TOLERANCES ARE ±0.15 UNLESS OTHERWISE STATED.

ORDER CODE:

M20-876XXXXR

No. OF WAYS:

02, 03, 04, 05, 07,
08, 10, 17

FINISH:

42 = SELECTIVE GOLD + 100% TIN
46 = 100% TIN

RB	12	03.09.08	10132
NAME	ISS.	DATE	C/NOTE
APPROVED: R. BROCKBANK			
CHECKED: M. PLESTED			
DRAWN: W. J. BOURNE			
CUSTOMER REF.:			
ASSEMBLY DRG:			

HARWIN

HARWIN USA
TEL: 603 893 5376
FAX: 603 893 5396
mis@harwin.com

HARWIN Europe (UK)
TEL: 023 9231 4545
FAX: 023 9231 4590
mis@harwin.co.uk

HARWIN Asia
TEL: +65 6 779 4909
FAX: +65 6 779 3868
mis@harwin.com.sg

THIS DRAWING AND ANY INFORMATION OR DESCRIPTIVE MATTER SET OUT HEREON ARE CONFIDENTIAL AND COPYRIGHT PROPERTY OF THE HARWIN GROUP AND MUST NOT BE DISCLOSED, LOANED, COPIED OR USED FOR MANUFACTURING, TENDERING OR FOR ANY OTHER PURPOSE WITHOUT THEIR WRITTEN PERMISSION.

TOLERANCES

~~X. = ±1mm
X.X = ±0.25mm
X.XX = ±0.10mm
X.XXX = ±0.01mm~~

ANGLES = ±5°

UNLESS STATED

MATERIAL:

SEE ABOVE

FINISH: SEE ABOVE

S/AREA:

mm²

TITLE: 2.54mm PITCH DIL
SMT PIN HEADER ASSEMBLY
(WITH P/PLACE CAP, T/REEL)

DRAWING NUMBER:

M20-876XXXXR

SHT
3
OF
4

Customer Information Sheet

DRAWING No.: M20-876XXXXR

SHEET 4 OF 4

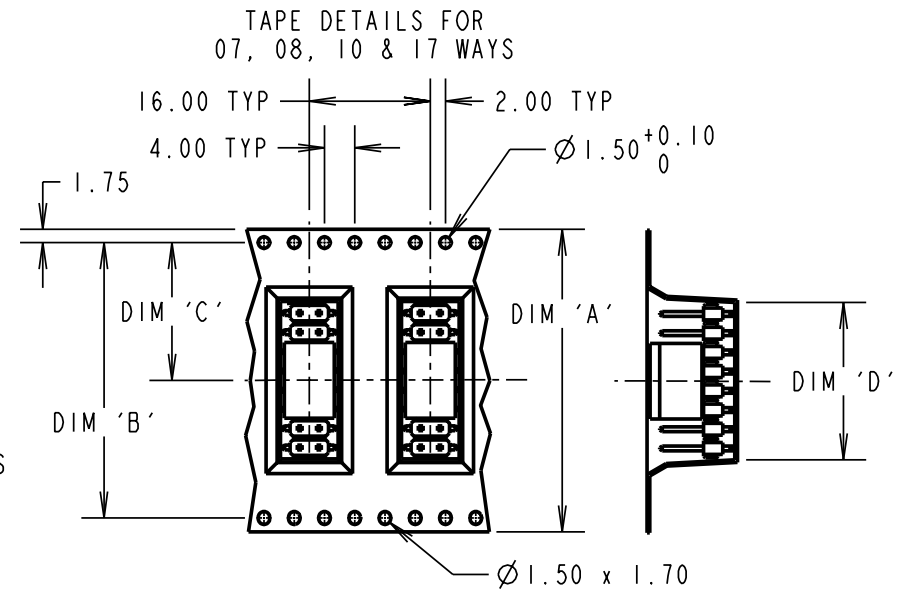
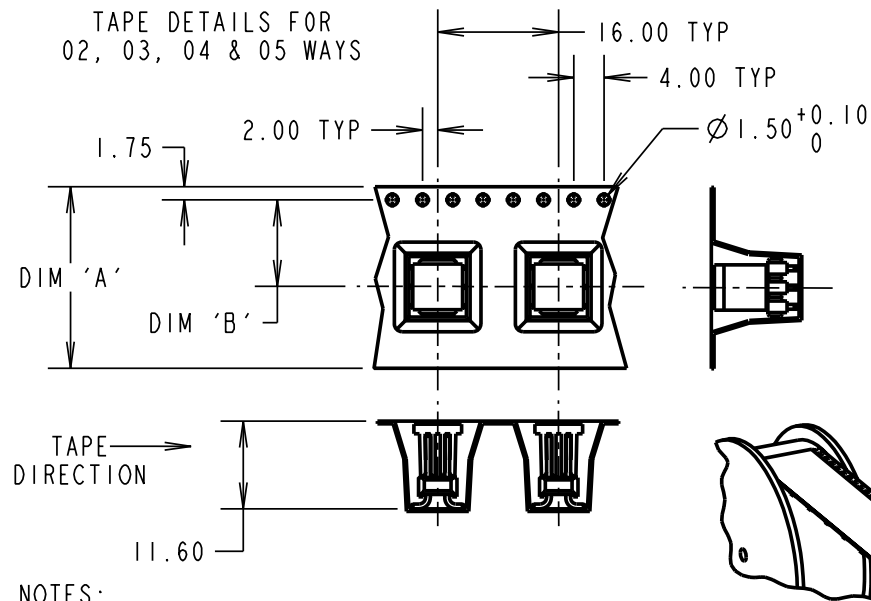
IF IN DOUBT - ASK

©

NOT TO SCALE

THIRD ANGLE PROJECTION

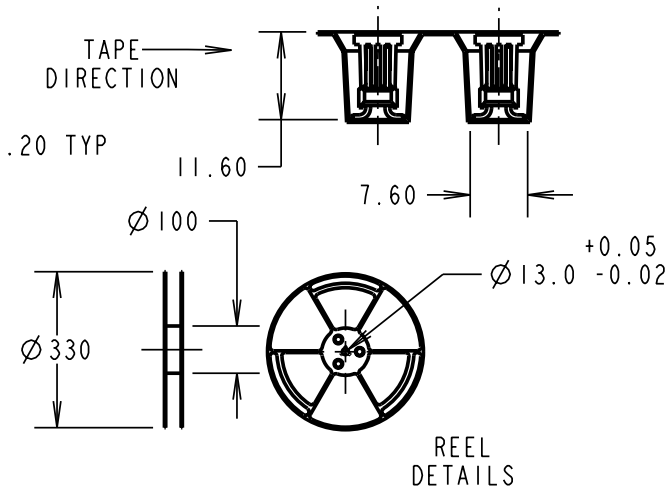
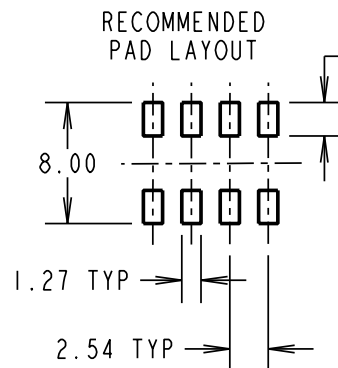
ALL DIMENSIONS IN mm



NOTES:

1. QUANTITY PER REEL = 350 PIECES.
2. FOR CONNECTOR DIMENSIONS, SEE SHEET 3.
3. TAPE & REELING TO BE IN ACCORDANCE WITH ELECTRONIC INDUSTRIES ASSOCIATION EIA-481.

HARWIN PART No.	DIM 'A'	DIM 'B'	DIM 'C'
M20-87602XXR	24.00 ±0.30	11.50	-----
M20-87603XXR	24.00 ±0.30	11.50	-----
M20-87604XXR	24.00 ±0.30	11.50	-----
M20-87605XXR	24.00 ±0.30	11.50	-----
M20-87607XXR	32.00 ±0.30	28.40	14.20
M20-87608XXR	32.00 ±0.30	28.40	14.20
M20-87610XXR	44.00 ±0.30	40.40	20.20
M20-87617XXR	72.00 ±0.30	68.40	34.20



RB	12	02.09.08	10132
NAME	ISS.	DATE	C/NOTE
APPROVED: R.BROCKBANK			
CHECKED: M.PLESTED			
DRAWN: W. J. BOURNE			
CUSTOMER REF.:			
ASSEMBLY DRG:			

HARWIN

HARWIN USA
TEL: 603 893 5376
FAX: 603 893 5396
mis@harwin.com

HARWIN Europe (UK)
TEL: 023 9231 4545
FAX: 023 9231 4590
mis@harwin.co.uk

HARWIN Asia
TEL: +65 6 779 4909
FAX: +65 6 779 3868
mis@harwin.com.sg

THIS DRAWING AND ANY INFORMATION OR DESCRIPTIVE MATTER SET OUT HEREON ARE CONFIDENTIAL AND COPYRIGHT PROPERTY OF THE HARWIN GROUP AND MUST NOT BE DISCLOSED, LOANED, COPIED OR USED FOR MANUFACTURING, TENDERING OR FOR ANY OTHER PURPOSE WITHOUT THEIR WRITTEN PERMISSION.

TOLERANCES
X. = ±1mm
X.X = ±0.25mm
X.XX = ±0.10mm
X.XXX = ±0.01mm
ANGLES = ±5°
UNLESS STATED

MATERIAL:
SEE SHEET 1
FINISH: SEE SHEET 1
S/AREA: mm²

TITLE: 2.54mm PITCH DIL
SMT PIN HEADER ASSEMBLY
(WITH P/PLACE CAP, T/REEL)

DRAWING NUMBER:
M20-876XXXXR

SHT
4
OF
4