
HM514800C Series HM51S4800C Series

524,288-word × 8-bit Dynamic Random Access Memory

HITACHI

Rev. 0.0
Dec. 1, 1995

Description

The Hitachi HM51(S)4800C are CMOS dynamic RAM organized as 524,288-word × 8-bit. HM51(S)4800C have realized higher density, higher performance and various functions by employing 0.8 μm CMOS process technology and some new CMOS circuit design technologies. The HM51(S)4800C offer Fast Page Mode as a high speed access mode. Multiplexed address input permits the HM51(S)4800C to be packaged in standard 400-mil 28-pin plastic SOJ and standard 400-mil 28-pin plastic TSOPII. Internal refresh timer enables HM51S4800C self refresh operation.

Features

- Single 5 V (± 10%)
- High speed
 - Access time: 60 ns/70 ns/80 ns (max)
- Low power dissipation
 - Active mode: 605 mW/550 mW/495 mW (max)
 - Standby mode:
 - 11 mW (max)
 - 1.1 mW (max) (L-version)
- Fast page mode capability
- 1,024 refresh cycles: 16 ms
 - 128 ms (L-version)
- 2 variations of refresh
 - $\overline{\text{RAS}}$ -only refresh
 - $\overline{\text{CAS}}$ -before- $\overline{\text{RAS}}$ refresh
- Battery backup operation (L-version)
- Self refresh operation (HM51S4800C)

■ 4496203 0027300 471 ■

HM514800C, HM51S4800C Series

Ordering Information

Type No.	Access Time	Package
HM514800CJ-6 HM514800CJ-7 HM514800CJ-8	60 ns 70 ns 80 ns	400-mil 28-pin plastic SOJ (CP-28D)
HM514800CLJ-6 HM514800CLJ-7 HM514800CLJ-8	60 ns 70 ns 80 ns	
HM51S4800CJ-6 HM51S4800CJ-7 HM51S4800CJ-8	60 ns 70 ns 80 ns	
HM51S4800CLJ-6 HM51S4800CLJ-7 HM51S4800CLJ-8	60 ns 70 ns 80 ns	
HM514800CTT-6 HM514800CTT-7 HM514800CTT-8	60 ns 70 ns 80 ns	400-mil 28-pin plastic TSOP II (TTP-28D)
HM514800CLTT-6 HM514800CLTT-7 HM514800CLTT-8	60 ns 70 ns 80 ns	
HM51S4800CTT-6 HM51S4800CTT-7 HM51S4800CTT-8	60 ns 70 ns 80 ns	
HM51S4800CLTT-6 HM51S4800CLTT-7 HM51S4800CLTT-8	60 ns 70 ns 80 ns	

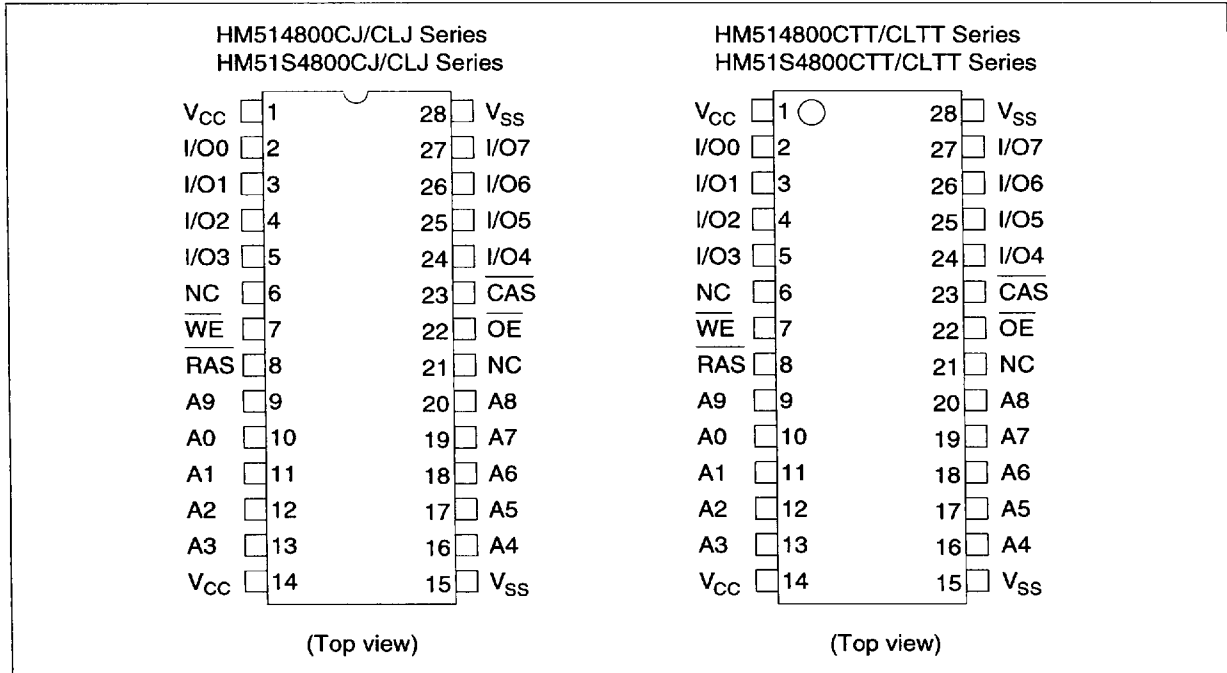
HITACHI

2

■ 4496203 0027301 308 ■

HM514800C, HM51S4800C Series

Pin Arrangement



Pin Description

Pin Name	Function	
A0 – A9	Address input – Row address – Column address – Refresh address	A0 – A9 A0 – A8 A0 – A9
I/O0 – I/O7	Data-in/data-out	
$\overline{\text{RAS}}$	Row address strobe	
$\overline{\text{CAS}}$	Column address strobe	
$\overline{\text{WE}}$	Read/write enable	
$\overline{\text{OE}}$	Output enable	
V _{CC}	Power (+5 V)	
V _{SS}	Ground	

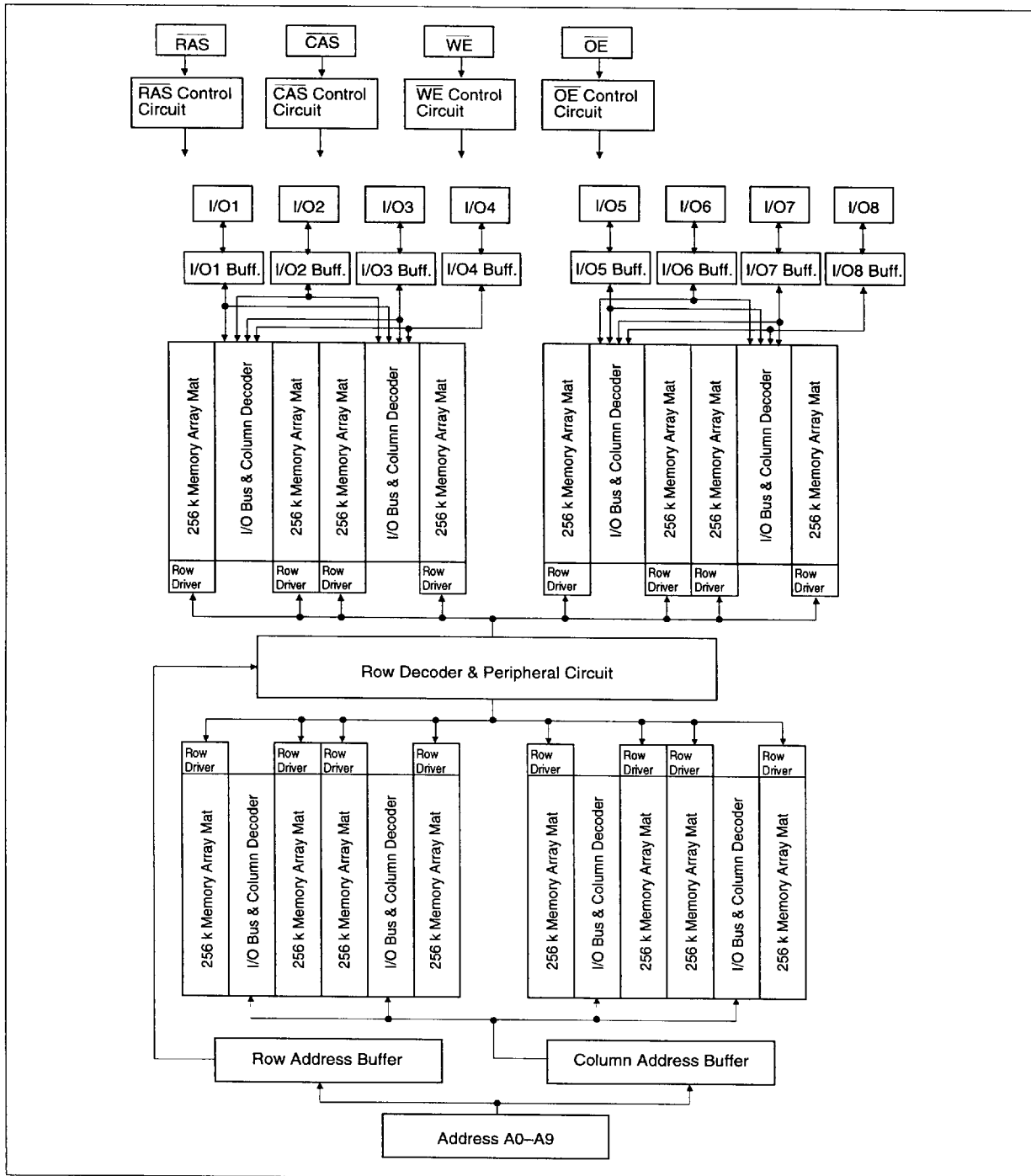
HITACHI

3

■ 4496203 0027302 244 ■

HM514800C, HM51S4800C Series

Block Diagram



HITACHI

Operation Mode

The HM51(S)4800C series has the following 11 operation modes.

1. Read cycle
2. Early write cycle
3. Delayed write cycle
4. Read-modify-write cycle
5. $\overline{\text{RAS}}$ -only refresh cycle
6. $\overline{\text{CAS}}$ -before- $\overline{\text{RAS}}$ refresh cycle
7. Self refresh cycle (HM51S4800C)
8. Fast page mode read cycle
9. Fast page mode early write cycle
10. Fast page mode delayed write cycle
11. Fast page mode read-modify-write cycle

Inputs

$\overline{\text{RAS}}$	$\overline{\text{CAS}}$	$\overline{\text{WE}}$	$\overline{\text{OE}}$	Output	Operation
H	H	D	D	Open	Standby
H	L	H	L	Valid	Standby
L	L	H	L	Valid	Read cycle
L	L	L ²	D	Open	Early write cycle
L	L	L ²	H	Undefined	Delayed write cycle
L	L	H to L	L to H	Valid	Read-modify-write cycle
L	H	D	D	Open	$\overline{\text{RAS}}$ -only refresh cycle
H to L	L	D	D	Open	$\overline{\text{CAS}}$ -before- $\overline{\text{RAS}}$ refresh cycle Self refresh cycle (HM51S4800C)
L	H to L	H	L	Valid	Fast page mode read cycle
L	H to L	L ²	D	Open	Fast page mode early write cycle
L	H to L	L ²	H	Undefined	Fast page mode delayed write cycle
L	H to L	H to L	L to H	Valid	Fast page mode read-modify-write cycle
L	L	H	H	Open	Read cycle (Output disabled)

Notes: 1. H: High (inactive) L: Low (active) D: H or L

2. $t_{\text{wcs}} \geq 0$ ns Early write cycle

$t_{\text{wcs}} < 0$ ns Delayed write cycle

3. Mode is determined by the OR function of the $\overline{\text{UCAS}}$ and $\overline{\text{LCAS}}$. (Mode is set by the earliest of $\overline{\text{UCAS}}$ and $\overline{\text{LCAS}}$ active edge and reset by the latest of $\overline{\text{UCAS}}$ and $\overline{\text{LCAS}}$ inactive edge.) However write OPERATION and output HIZ control are done independently by each $\overline{\text{UCAS}}$, $\overline{\text{LCAS}}$.
ex. if $\overline{\text{RAS}} = \text{H to L}$, $\overline{\text{LCAS}} = \text{L}$, $\overline{\text{UCAS}} = \text{H}$, then $\overline{\text{CAS}}$ -before- $\overline{\text{RAS}}$ refresh cycle is selected.

HITACHI

5

■ 4496203 0027304 017 ■

HM514800C, HM51S4800C Series

Absolute Maximum Ratings

Parameter	Symbol	Value	Unit
Voltage on any pin relative to V_{SS}	V_T	-1.0 to +7.0	V
Supply voltage relative to V_{SS}	V_{CC}	-1.0 to +7.0	V
Short circuit output current	I_{out}	50	mA
Power dissipation	P_T	1.0	W
Operating temperature	T_{opr}	0 to +70	°C
Storage temperature	T_{stg}	-55 to +125	°C

Recommended DC Operating Conditions ($T_a = 0$ to $+70^\circ\text{C}$) *2

Parameter	Symbol	Min	Typ	Max	Unit	Notes	
Supply voltage	V_{SS}	0	0	0	V	2	
	V_{CC}	4.5	5.0	5.5	V	1, 2	
Input high voltage	V_{IH}	2.4	—	6.5	V	1	
Input low voltage	(I/O pin)	V_{IL}	-1.0	—	0.8	V	1
	(Others)	V_{IL}	-2.0	—	0.8	V	1

Notes: 1. All voltage referred to V_{SS} .

2. The supply voltage with all V_{CC} pins must be on the same level.

The supply voltage with all V_{SS} pins must be on the same level.

DC Characteristics ($T_a = 0$ to $+70^\circ\text{C}$, $V_{CC} = 5\text{ V} \pm 10\%$, $V_{SS} = 0\text{ V}$) *5

Parameter	Symbol	HM514800C, HM51S4800C						Unit	Test Conditions
		-6		-7		-8			
		Min	Max	Min	Max	Min	Max		
Operating current ^{1,2}	I_{CC1}	—	120	—	110	—	100	mA	\overline{RAS} , \overline{CAS} cycling $t_{RC} = \text{min}$
Standby current	I_{CC2}	—	2	—	2	—	2	mA	TTL interface \overline{RAS} , $\overline{CAS} = V_{IH}$ Dout = High-Z
		—	1	—	1	—	1	mA	CMOS interface \overline{RAS} , $\overline{CAS} \geq V_{CC} - 0.2\text{ V}$ Dout = High-Z
Standby current (L-version)	I_{CC2}	—	200	—	200	—	200	μA	CMOS interface \overline{RAS} , $\overline{CAS} \geq V_{CC} - 0.2\text{ V}$ Dout = High-Z
\overline{RAS} -only refresh current ²	I_{CC3}	—	120	—	110	—	100	mA	$t_{RC} = \text{min}$

HITACHI

6

4496203 0027305 T53

HM514800C, HM51S4800C Series

DC Characteristics (Ta = 0 to +70°C, V_{CC} = 5 V ± 10%, V_{SS} = 0 V) *5 (cont)

Parameter	Symbol	HM514800C, HM51S4800C						Unit	Test Conditions
		-6		-7		-8			
		Min	Max	Min	Max	Min	Max		
Standby current ¹	I _{CC5}	—	5	—	5	—	5	mA	$\overline{RAS} = V_{IH}$ $CAS = V_{IL}$ Dout = enable
\overline{CAS} -before- \overline{RAS} refresh current ⁴	I _{CC6}	—	120	—	110	—	100	mA	t _{RC} = min
Fast page mode current ^{1,3}	I _{CC7}	—	120	—	110	—	100	mA	t _{PC} = min
Battery backup current ⁴ (Standby with CBR refresh) (L-version)	I _{CC10}	—	300	—	300	—	300	μA	Standby: CMOS interface Dout = High-Z CBR refresh: t _{RC} = 125 μs t _{RAS} ≤ 1 μs, $\overline{CAS} = V_{IL}$ $\overline{WE} = V_{IH}$
Self refresh mode current (HM51S4800C)	I _{CC11}	—	1	—	1	—	1	mA	CMOS interface $\overline{RAS}, \overline{CAS} \leq 0.2 V$ Dout = High-Z
Self refresh mode current (HM51S4800CL)	I _{CC11}	—	200	—	200	—	200	μA	CMOS interface $\overline{RAS}, \overline{CAS} \leq 0.2 V$ Dout = High-Z
Input leakage current	I _{LI}	-10	10	-10	10	-10	10	μA	0 V ≤ Vin ≤ 6.5 V
Output leakage current	I _{LO}	-10	10	-10	10	-10	10	μA	0 V ≤ Vout ≤ 6.5 V Dout = disable
Output high voltage	V _{OH}	2.4	V _{CC}	2.4	V _{CC}	2.4	V _{CC}	V	High Iout = -5 mA
Output low voltage	V _{OL}	0	0.4	0	0.4	0	0.4	V	Low Iout = 4.2 mA

- Notes: 1. I_{CC} depends on output load condition when the device is selected I_{CC} max is specified at the output open condition.
 2. Address can be changed once or less while $\overline{RAS} = V_{IL}$.
 3. Address can be changed once or less within one page cycle.
 4. V_{IH} ≥ V_{CC} - 0.2 V, V_{IL} ≤ 0.2 V; Address can be changed once or less while $\overline{CAS} = V_{IL}$.
 5. The supply voltage with all V_{CC} pins must be on the same level.
 The supply voltage with all V_{SS} pins must be on the same level.

HITACHI

7

■ 4496203 0027306 99T ■

HM514800C, HM51S4800C Series

Capacitance ($T_a = 25^\circ\text{C}$, $V_{CC} = 5\text{ V} \pm 10\%$)

Parameter	Symbol	Typ	Max	Unit	Notes
Input capacitance (Address)	C_{I1}	—	5	pF	1
Input capacitance (Clocks)	C_{I2}	—	7	pF	1
Output capacitance (Data-in, Data-out)	$C_{I/O}$	—	10	pF	1, 2

Notes: 1. Capacitance measured with Boonton Meter or effective capacitance measuring method.
2. $\overline{\text{CAS}} = V_{IH}$ to disable Dout.

AC Characteristics ($T_a = 0$ to 70°C , $V_{CC} = 5\text{ V} \pm 10\%$, $V_{SS} = 0\text{ V}$) *1, *14, *15

Test conditions

- Input rise and fall time: 5 ns
- Input timing reference levels: 0.8 V, 2.4 V
- Input levels: 0 V, 3 V
- Output load: 2 TTL gate + C_L (100 pF) (Including scope and jig)

Read, Write, Read-Modify-Write and Refresh Cycles (Common Parameters)

Parameter	Symbol	HM514800C, HM51S4800C						Unit	Notes
		-6		-7		-8			
		Min	Max	Min	Max	Min	Max		
Random read or write cycle time	t_{RC}	110	—	130	—	150	—	ns	
$\overline{\text{RAS}}$ precharge time	t_{RP}	40	—	50	—	60	—	ns	
$\overline{\text{RAS}}$ pulse width	t_{RAS}	60	10000	70	10000	80	10000	ns	
$\overline{\text{CAS}}$ pulse width	t_{CAS}	15	10000	20	10000	20	10000	ns	
Row address setup time	t_{ASR}	0	—	0	—	0	—	ns	
Row address hold time	t_{RAH}	10	—	10	—	10	—	ns	
Column address setup time	t_{ASC}	0	—	0	—	0	—	ns	
Column address hold time	t_{CAH}	15	—	15	—	15	—	ns	
$\overline{\text{RAS}}$ to $\overline{\text{CAS}}$ delay time	t_{RCD}	20	45	20	50	20	60	ns	8
$\overline{\text{RAS}}$ to column address delay time	t_{RAD}	15	30	15	35	15	40	ns	9
$\overline{\text{RAS}}$ hold time	t_{RSH}	20	—	20	—	20	—	ns	
$\overline{\text{CAS}}$ hold time	t_{CSH}	60	—	70	—	80	—	ns	
$\overline{\text{CAS}}$ to $\overline{\text{RAS}}$ precharge time	t_{CRP}	10	—	10	—	10	—	ns	

HITACHI

8

4496203 0027307 826

HM514800C, HM51S4800C Series

Read, Write, Read-Modify-Write and Refresh Cycles (Common Parameters) (cont)

Parameter	Symbol	HM514800C, HM51S4800C						Unit	Notes
		-6		-7		-8			
\overline{OE} to Din delay time	t_{ODD}	15	—	20	—	20	—	ns	
\overline{OE} delay time from Din	t_{DZO}	0	—	0	—	0	—	ns	
\overline{CAS} setup time from Din	t_{DZC}	0	—	0	—	0	—	ns	
Transition time (rise and fall)	t_T	3	50	3	50	3	50	ns	7
Refresh period	t_{REF}	—	16	—	16	—	16	ms	
Refresh period (L-version)	t_{REF}	—	128	—	128	—	128	ms	

Read Cycle

Parameter	Symbol	HM514800C, HM51S4800C						Unit	Notes
		-6		-7		-8			
Access time from \overline{RAS}	t_{RAC}	—	60	—	70	—	80	ns	2, 3
Access time from \overline{CAS}	t_{CAC}	—	15	—	20	—	20	ns	3, 4, 13
Access time from address	t_{AA}	—	30	—	35	—	40	ns	3, 5, 13
Access time from \overline{OE}	t_{OAC}	—	15	—	20	—	20	ns	
Read command setup time	t_{RCS}	0	—	0	—	0	—	ns	
Read command hold time to \overline{CAS}	t_{RCH}	0	—	0	—	0	—	ns	
Read command hold time to \overline{RAS}	t_{RRH}	0	—	0	—	0	—	ns	
Column address to \overline{RAS} lead time	t_{RAL}	30	—	35	—	40	—	ns	
Output buffer turn-off time	t_{OFF1}	0	15	0	15	0	15	ns	6
Output buffer turn-off to \overline{OE}	t_{OFF2}	0	15	0	15	0	15	ns	6
\overline{CAS} to Din delay time	t_{CDD}	15	—	15	—	15	—	ns	

HITACHI

9

■ 4496203 0027308 762 ■

HM514800C, HM51S4800C Series

Write Cycle

Parameter	Symbol	HM514800C, HM51S4800C						Unit	Notes
		-6		-7		-8			
		Min	Max	Min	Max	Min	Max		
Write command setup time	t_{WCS}	0	—	0	—	0	—	ns	10
Write command hold time	t_{WCH}	15	—	15	—	15	—	ns	
Write command pulse width	t_{WP}	10	—	10	—	10	—	ns	
Write command to \overline{RAS} lead time	t_{RWL}	15	—	20	—	20	—	ns	
Write command to \overline{CAS} lead time	t_{CWL}	15	—	20	—	20	—	ns	
Data-in setup time	t_{DS}	0	—	0	—	0	—	ns	11
Data-in hold time	t_{DH}	15	—	15	—	15	—	ns	11
\overline{CAS} to \overline{OE} delay time	t_{COD}	—	0	—	0	—	0	ns	18

Read-Modify-Write Cycle

Parameter	Symbol	HM514800C, HM51S4800C						Unit	Notes
		-6		-7		-8			
		Min	Max	Min	Max	Min	Max		
Read-modify-write cycle time	t_{RWC}	150	—	180	—	200	—	ns	
\overline{RAS} to \overline{WE} delay time	t_{RWD}	80	—	95	—	105	—	ns	10
\overline{CAS} to \overline{WE} delay time	t_{CWD}	35	—	45	—	45	—	ns	10
Column address to \overline{WE} delay time	t_{AWD}	50	—	60	—	65	—	ns	10, 13
\overline{OE} hold time from \overline{WE}	t_{OEH}	15	—	20	—	20	—	ns	

Refresh Cycle

Parameter	Symbol	HM514800C, HM51S4800C						Unit	Notes
		-6		-7		-8			
		Min	Max	Min	Max	Min	Max		
\overline{CAS} setup time (\overline{CAS} -before- \overline{RAS} refresh cycle)	t_{CSR}	10	—	10	—	10	—	ns	
\overline{CAS} hold time (\overline{CAS} -before- \overline{RAS} refresh cycle)	t_{CHR}	10	—	10	—	10	—	ns	
\overline{RAS} precharge to \overline{CAS} hold time	t_{RPC}	10	—	10	—	10	—	ns	
\overline{CAS} precharge time in normal mode	t_{CPN}	10	—	10	—	10	—	ns	

HITACHI

10

■ 4496203 0027309 6T9 ■

HM514800C, HM51S4800C Series

Fast Page Mode Cycle

		HM514800C, HM51S4800C							
		-6		-7		-8			
Parameter	Symbol	Min	Max	Min	Max	Min	Max	Unit	Notes
Fast page mode cycle time	t_{PC}	40	—	45	—	50	—	ns	
Fast page mode \overline{CAS} precharge time	t_{CP}	10	—	10	—	10	—	ns	
Fast page mode \overline{RAS} pulse width	t_{RASC}	—	100000	—	100000	—	100000	ns	12
Access time from \overline{CAS} precharge	t_{ACP}	—	35	—	40	—	45	ns	3, 13
\overline{RAS} hold time from \overline{CAS} precharge	t_{RHCP}	35	—	40	—	45	—	ns	
Fast page mode read-modify-write cycle \overline{CAS} precharge to \overline{WE} delay time	t_{CPW}	55	—	65	—	70	—	ns	
Fast page mode read-modify-write cycle time	t_{PCM}	80	—	95	—	100	—	ns	

Self-refresh Mode

		HM514800C, HM51S4800C							
		-6		-7		-8			
Parameter	Symbol	Min	Max	Min	Max	Min	Max	Unit	Notes
\overline{RAS} pulse width (self-refresh)	t_{RASS}	100	—	100	—	100	—	μ s	
\overline{RAS} precharge time (self-refresh)	t_{RPS}	110	—	130	—	150	—	ns	
\overline{CAS} hold time (self-refresh)	t_{CHS}	-50	—	-50	—	-50	—	ns	21

HITACHI

11

■ 4496203 0027310 310 ■

HM514800C, HM51S4800C Series

- Notes:
1. AC measurements assume $t_T = 5$ ns.
 2. Assumes that $t_{RCD} \leq t_{RCD}(\text{max})$ and $t_{RAD} \leq t_{RAD}(\text{max})$. If t_{RCD} or t_{RAD} is greater than the maximum recommended value shown in this table, t_{RAC} exceeds the value shown.
 3. Measured with a load circuit equivalent to 2 TTL loads and 100 pF.
 4. Assumes that $t_{RCD} \geq t_{RCD}(\text{max})$ and $t_{RAD} \leq t_{RAD}(\text{max})$.
 5. Assumes that $t_{RCD} \leq t_{RCD}(\text{max})$ and $t_{RAD} \geq t_{RAD}(\text{max})$.
 6. $t_{OFF}(\text{max})$ defines the time at which the output achieves the open circuit condition and is not referred to output voltage levels.
 7. $V_{IH}(\text{min})$ and $V_{IL}(\text{max})$ are reference levels for measuring timing of input signals. Also, transition times are measured between V_{IH} and V_{IL} .
 8. Operation with the $t_{RCD}(\text{max})$ limit insures that $t_{RAC}(\text{max})$ can be met, $t_{RCD}(\text{max})$ is specified as a reference point only, if t_{RCD} is greater than the specified $t_{RCD}(\text{max})$ limit, then access time is controlled exclusively by t_{CAC} .
 9. Operation with the $t_{RAD}(\text{max})$ limit insures that $t_{RAC}(\text{max})$ can be met, $t_{RAD}(\text{max})$ is specified as a reference point only, if t_{RAD} is greater than the specified $t_{RAD}(\text{max})$ limit, then access time is controlled exclusively by t_{AA} .
 10. t_{WCS} , t_{RWD} , t_{CWD} and t_{AWD} are not restrictive operating parameters. They are included in the data sheet as electrical characteristics only: if $t_{WCS} \geq t_{WCS}(\text{min})$, the cycle is an early write cycle and the data out pin will remain open circuit (high impedance) throughout the entire cycle; if $t_{RWD} \geq t_{RWD}(\text{min})$, $t_{CWD} \geq t_{CWD}(\text{min})$, $t_{AWD} \geq t_{AWD}(\text{min})$ and $t_{CPW} \geq t_{CPW}(\text{min})$, the cycle is a read-modify-write and the data output will contain data read from the selected cell; if neither of the above sets of conditions is satisfied, the condition of the data out (at access time) is indeterminate.
 11. These parameters are referred to $\overline{\text{CAS}}$ leading edge in an early write cycle and to $\overline{\text{WE}}$ leading edge in a delayed write or a read-modify-write cycle.
 12. t_{RASC} defines $\overline{\text{RAS}}$ pulse width in fast page mode cycles.
 13. Access time is determined by the longest among t_{AA} , t_{CAC} and t_{ACP} .
 14. An initial pause of 100 μs is required after power up followed by a minimum of eight initialization cycles ($\overline{\text{RAS}}$ -only refresh cycle or $\overline{\text{CAS}}$ -before- $\overline{\text{RAS}}$ refresh cycle). If the internal refresh counter is used, a minimum of eight $\overline{\text{CAS}}$ -before- $\overline{\text{RAS}}$ refresh cycles is required.
 15. In delayed write or read-modify-write cycles, $\overline{\text{OE}}$ must disable output buffer prior to applying data to the device.
 16. Either t_{RCH} or t_{RRH} must be satisfied for a read cycle.
 17. The supply voltage with all V_{CC} pins must be on the same level.
The supply voltage with all V_{SS} pins must be on the same level.
 18. Do not enable Dout buffer when using delayed write timing.
 19. If you use distributed CBR refresh mode with 15.6 μs interval in normal read/write cycle, CBRrefresh should be executed within 15.6 μs immediately after exiting from and before entering into self refresh mode.
 20. If you use $\overline{\text{RAS}}$ only refresh or CBR burst refresh mode in normal read/write cycle, 1024 cycles of distributed CBR refresh with 15.6 μs interval should be executed within 16 ms immediately after exiting from and before entering into the self refresh mode.
 21. Repetitive self refresh mode without refreshing all memory is not allowed. Once you exit from self refresh mode, all memory cells need to be refreshed before re-entering the self refresh mode again.
 22. H or L (H: $V_{IH}(\text{min}) \leq V_{IN} \leq V_{IH}(\text{max})$, L: $V_{IL}(\text{min}) \leq V_{IN} \leq V_{IL}(\text{max})$)
 Invalid Dout

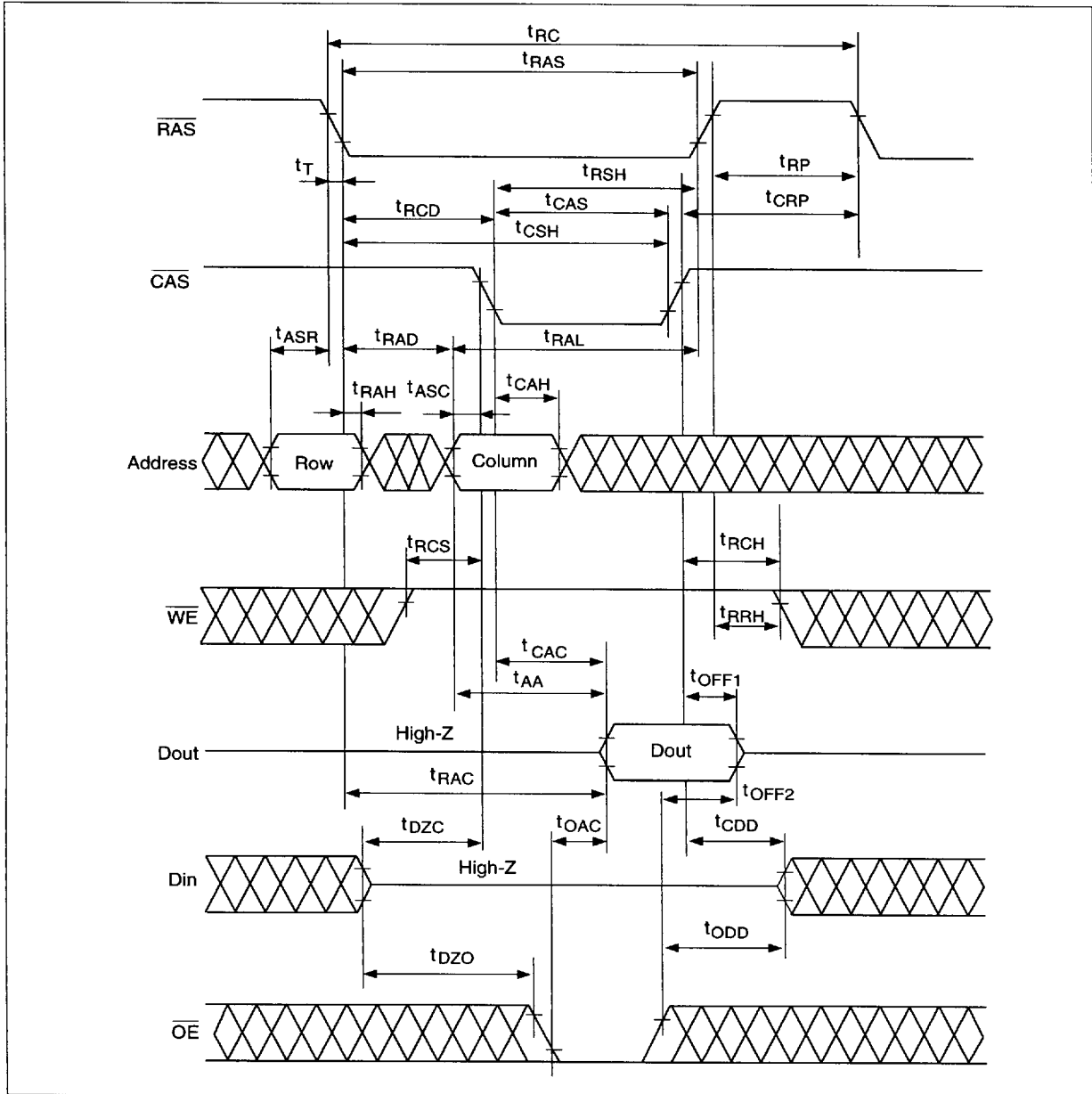
HITACHI

12

■ 4496203 0027311 257 ■

Timing Waveforms^{*22}

Read Cycle



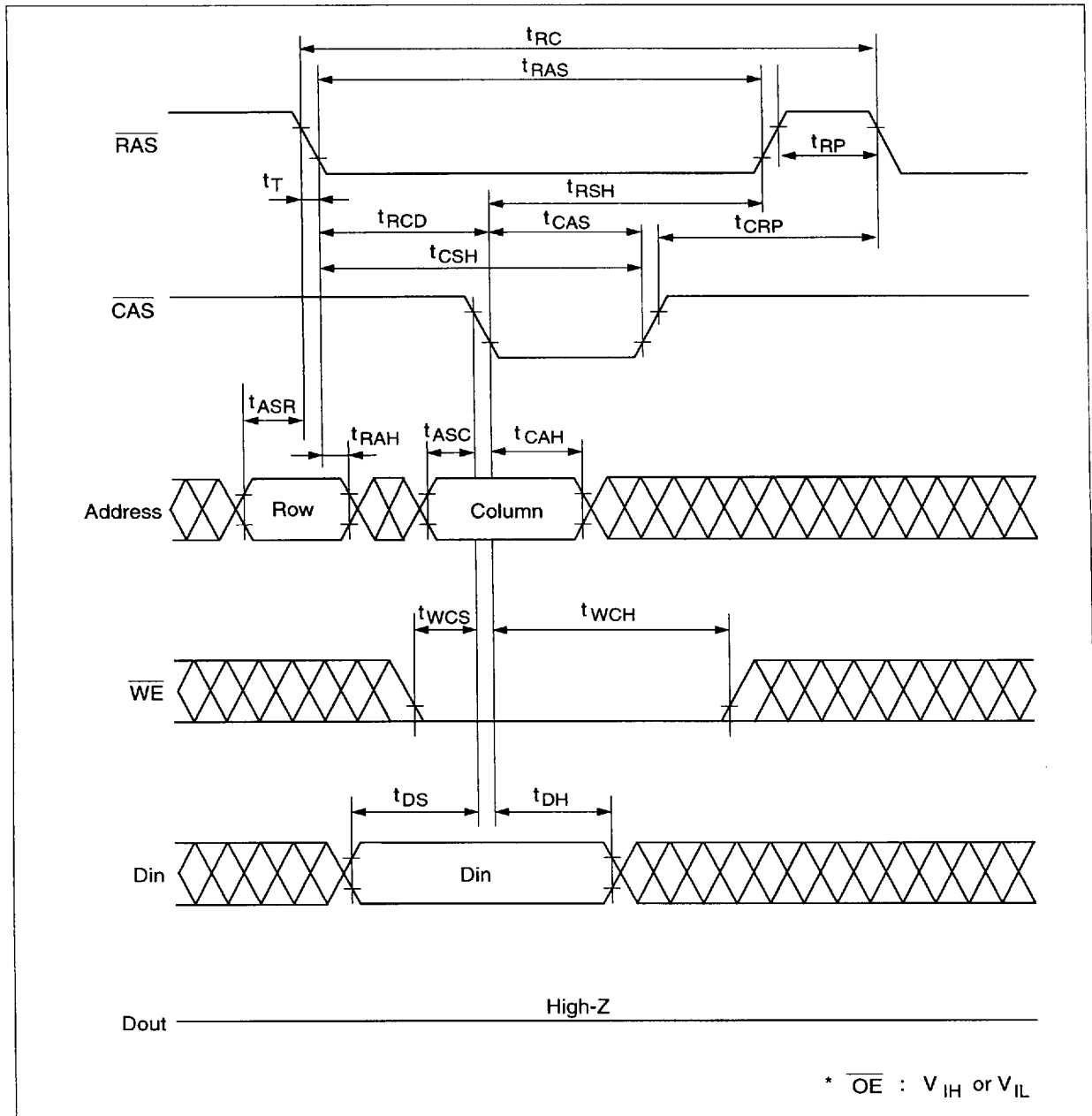
HITACHI

13

4496203 0027312 193

HM514800C, HM51S4800C Series

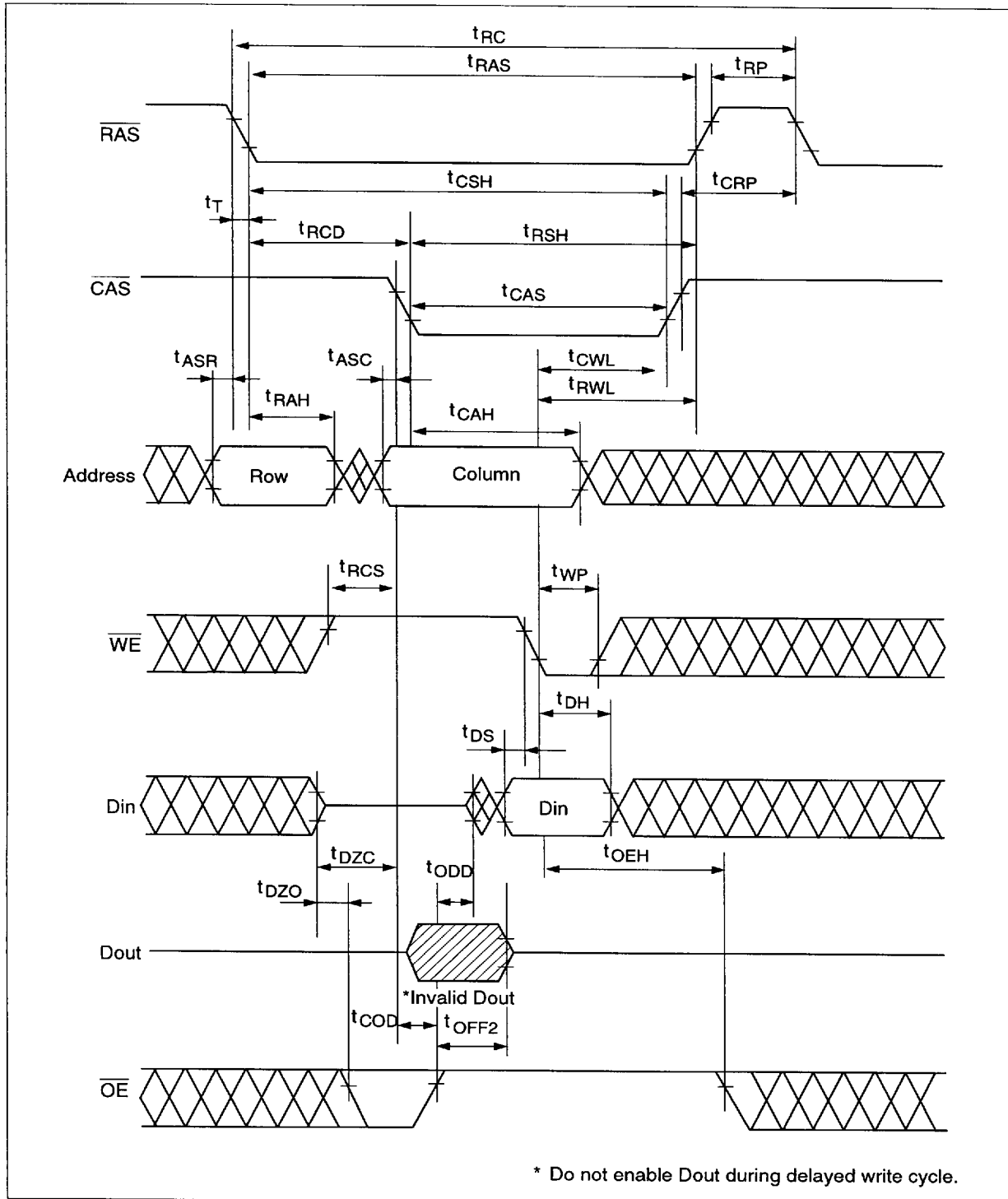
Early Write Cycle



HITACHI
14

4496203 0027313 02T

Delayed Write Cycle

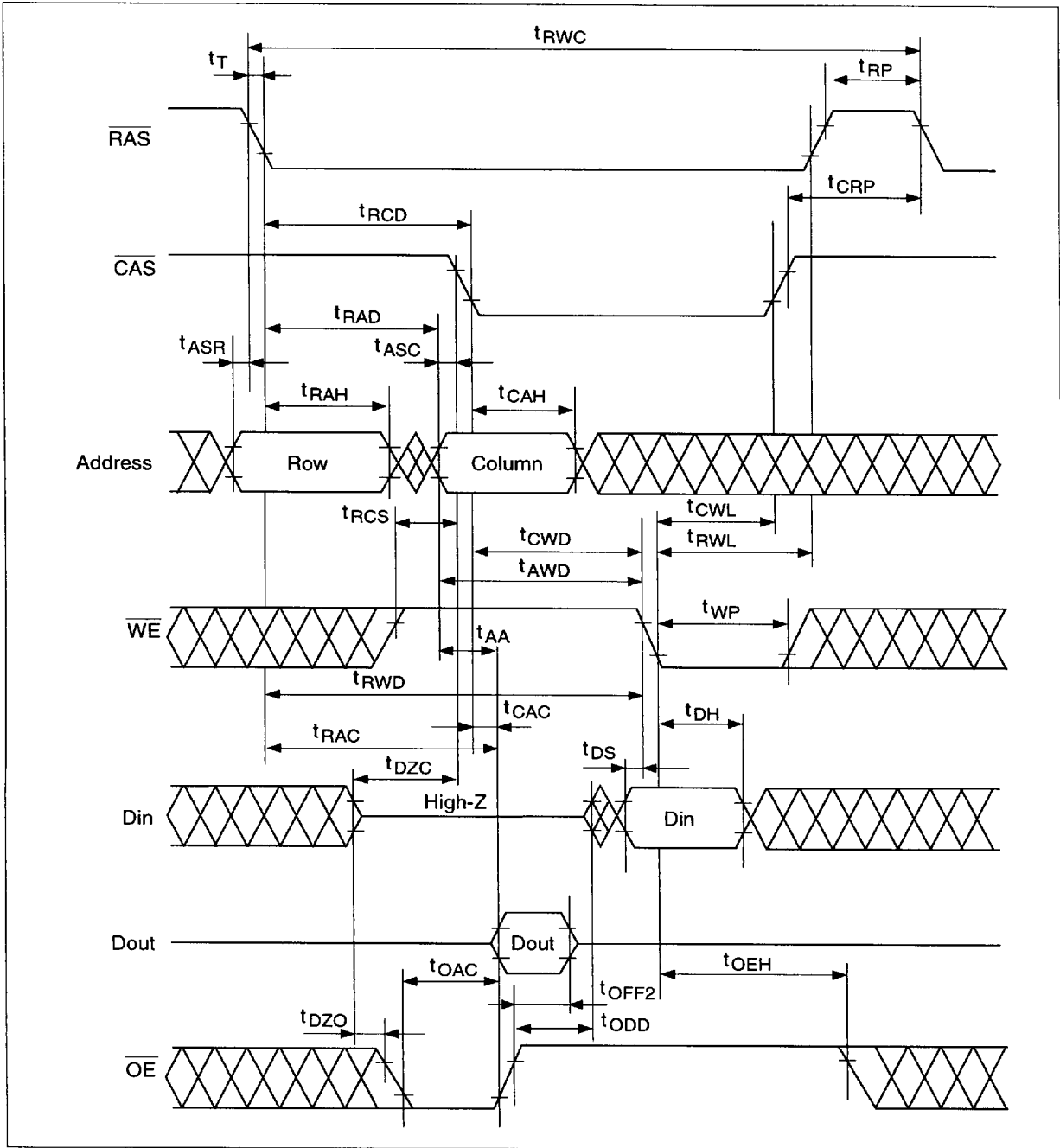


HITACHI
15

4496203 0027314 T66

HM514800C, HM51S4800C Series

Read-Modify-Write Cycle

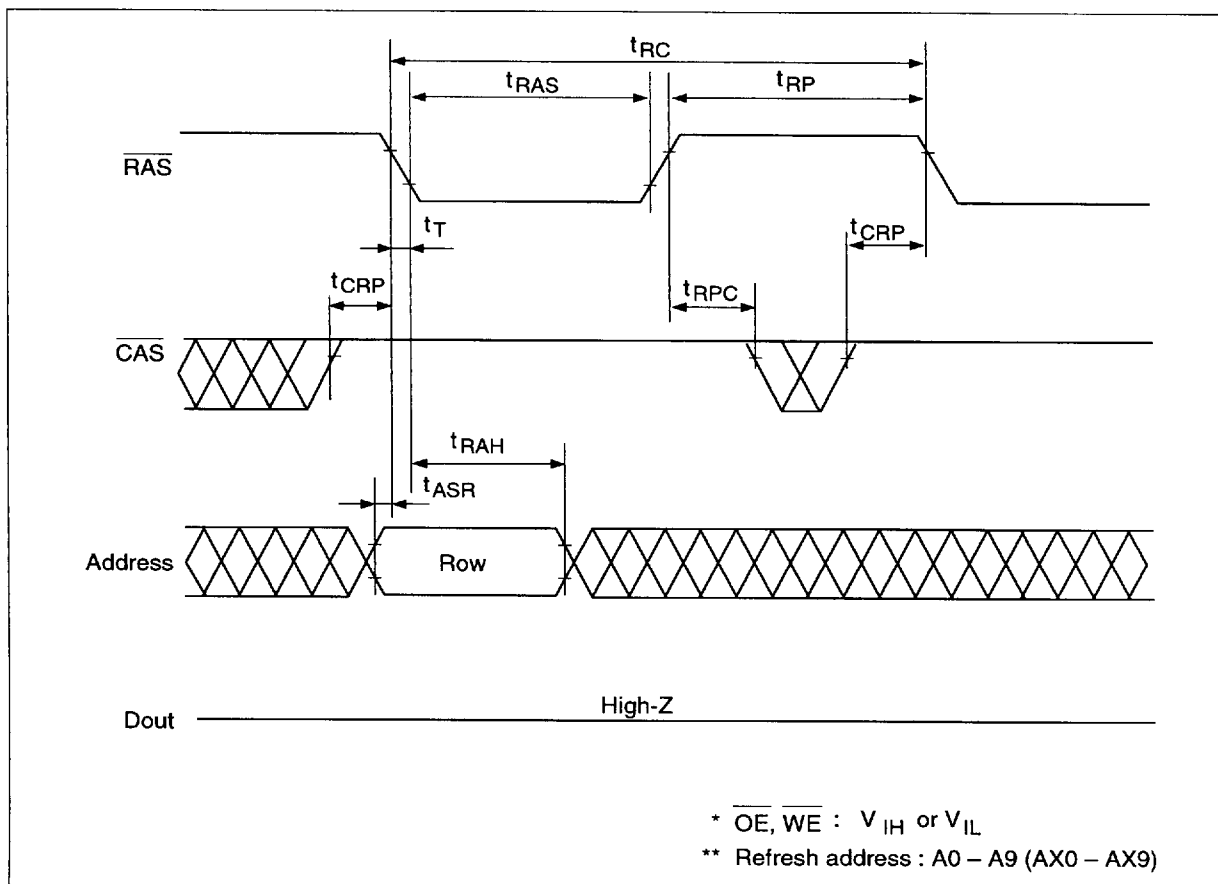


HITACHI
16

4496203 0027315 9T2

HM514800C, HM51S4800C Series

RAS-Only Refresh Cycle



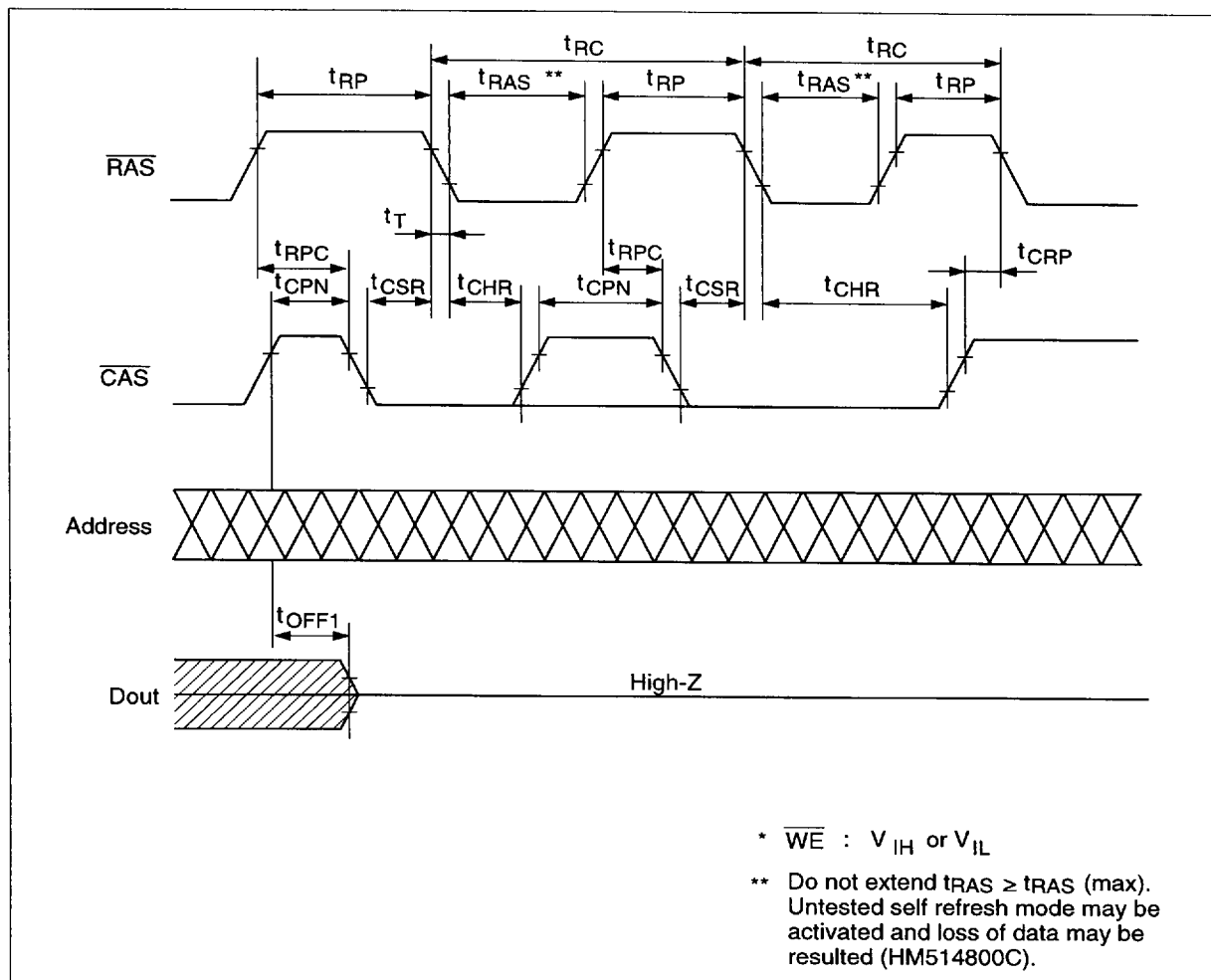
HITACHI

17

4496203 0027316 839

HM514800C, HM51S4800C Series

CAS-Before-RAS Refresh Cycle

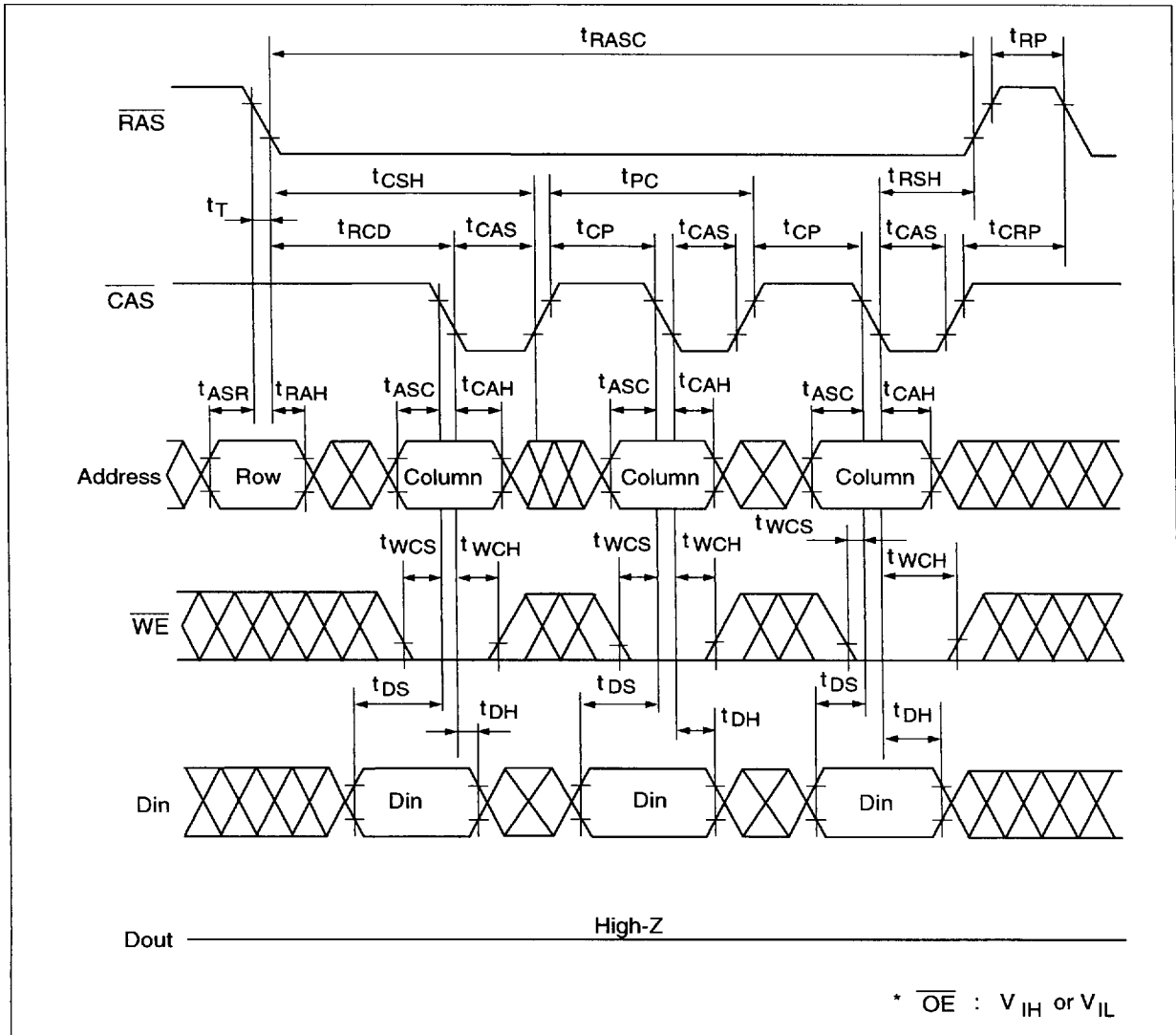


HITACHI
18

4496203 0027317 775

HM514800C, HM51S4800C Series

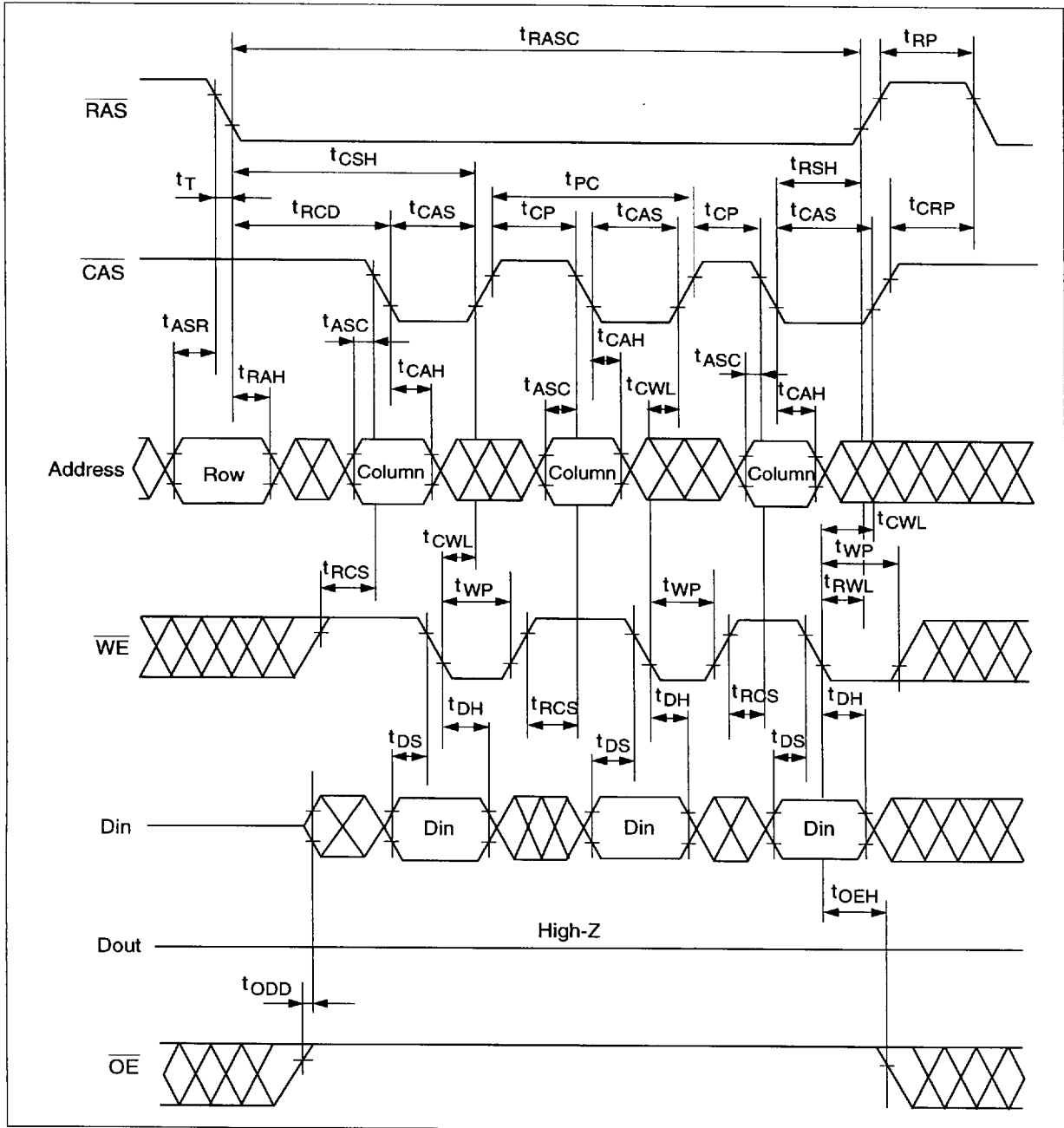
Fast Page Mode Early Write Cycle



HITACHI
20

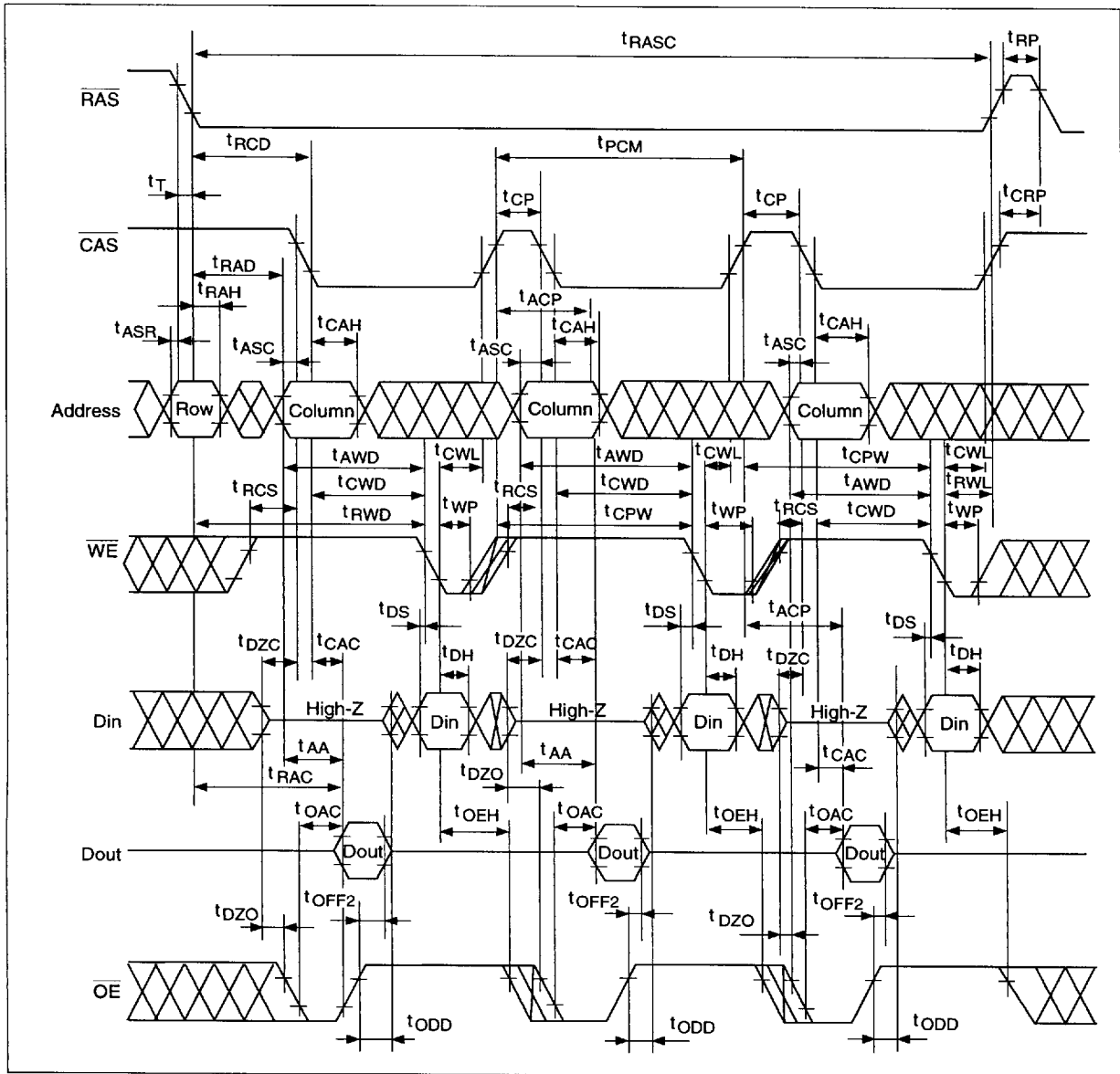
4496203 0027319 548

Fast Page Mode Delayed Write Cycle



HM514800C, HM51S4800C Series

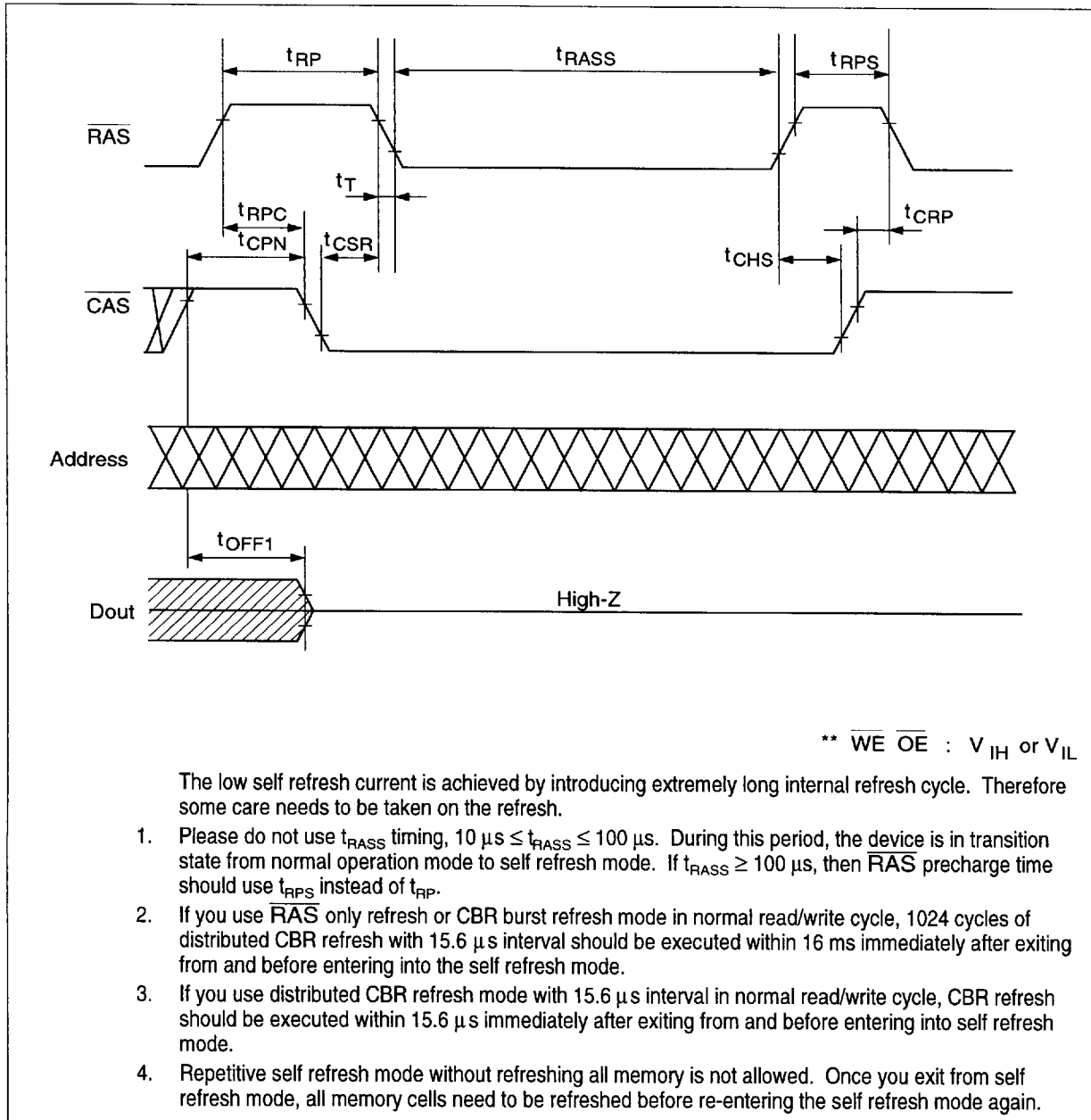
Fast Page Mode Read-Modify-Write Cycle



HITACHI
22

4496203 0027321 1T6

Self Refresh Cycle

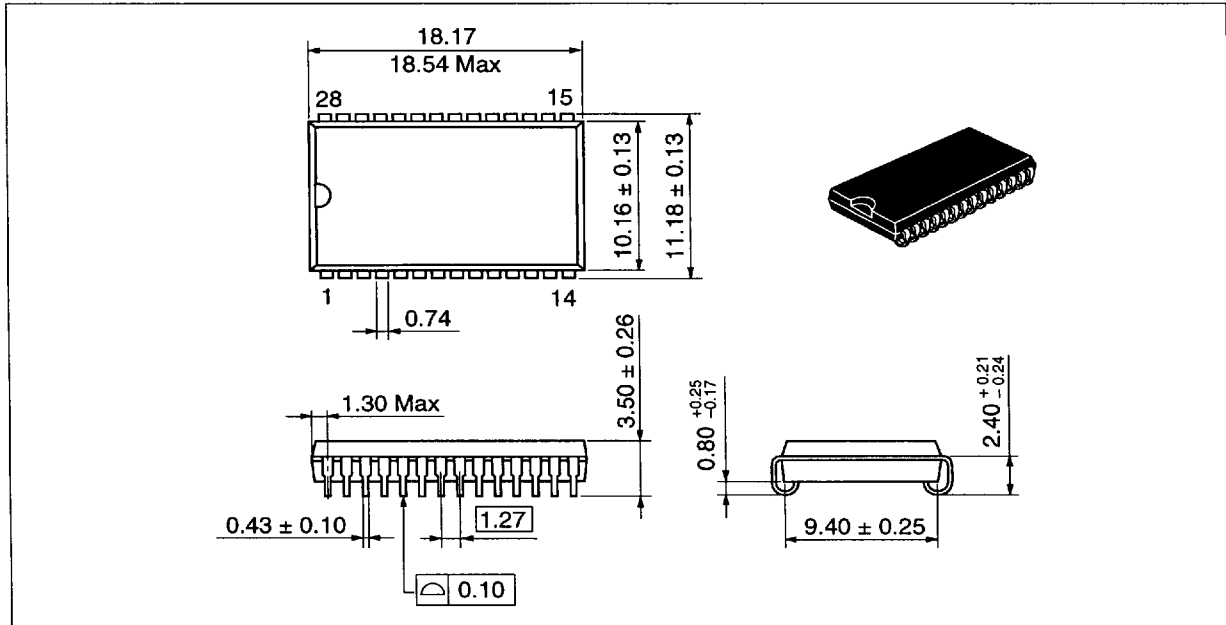


HM514800C, HM51S4800C Series

Package Dimensions

HM51(S)4800CJ/CLJ Series (CP-28D)

Unit: mm



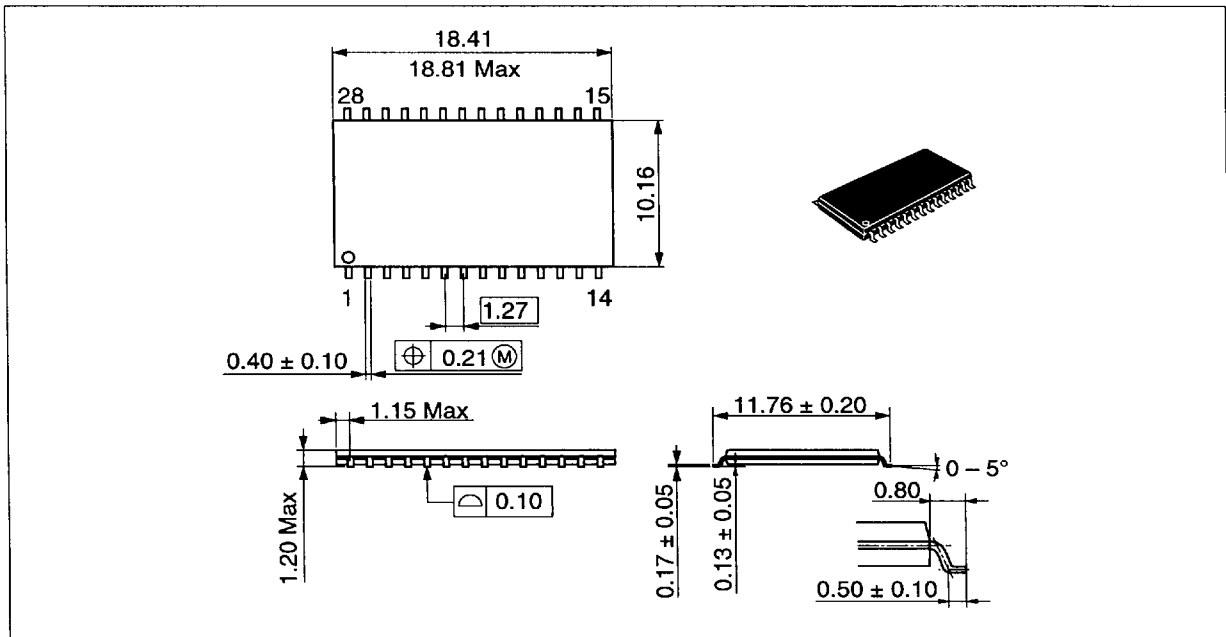
HITACHI
24

■ 4496203 0027323 T79 ■

HM514800C, HM51S4800C Series

HM51(S)4800CTT/CLTT Series (TTP-28D)

Unit: mm



HITACHI

25

■ 4496203 0027324 905 ■