

PLEASE CHECK WWW.MOLEX.COM FOR LATEST PART INFORMATION

Part Number: [0395443012](#)
Status: **Active**
Description: 5.08mm (.200") Pitch Eurostyle™ Vertical Fixed Mount PCB Terminal Block, 12 Circuits

Documents:

[3D Model](#) [RoHS Certificate of Compliance \(PDF\)](#)
[Drawing \(PDF\)](#)

General

| | |
|-----------------------------|-----------------------------|
| Product Family | Terminal Blocks |
| Series | 39544 |
| Application | Wire-to-Board |
| Component Type | One Piece |
| Product Literature Order No | USA-355 |
| Product Name | ESE, Eurostyle™ Fixed Mount |
| Type | Euro Block |

Physical

| | |
|--------------------------------|------------------------|
| Circuits (Loaded) | 12 |
| Entry Angle | Horizontal |
| Lock to Mating Part | None |
| Number of Rows | 1 |
| Orientation | Vertical |
| PC Tail Length (in) | 0.118 In |
| PC Tail Length (mm) | 3.00 mm |
| PCB Thickness Recommended (in) | 0.080 In |
| PCB Thickness Recommended (mm) | 2.00 mm |
| Panel Mount | No |
| Pitch - Mating Interface (in) | 0.200 In |
| Pitch - Mating Interface (mm) | 5.08 mm |
| Polarized to Mating Part | N/A |
| Stackable | No |
| Temperature Range - Operating | -40°C to +105°C |
| Wire Size AWG | 12, 14, 16, 18, 20, 22 |
| Wire Size mm² | 0.33 - 3.31 |

Electrical

| | |
|-------------------------------|------|
| Current - Maximum per Contact | 15A |
| Voltage - Maximum | 300V |

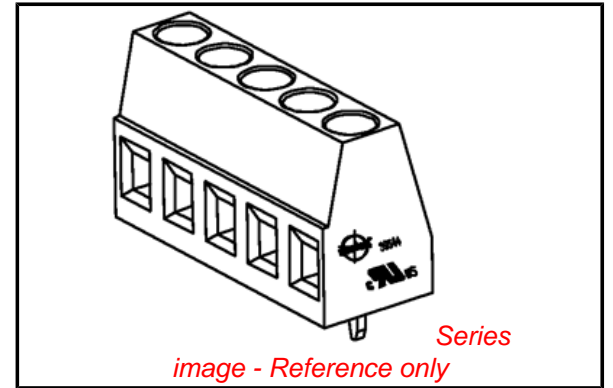
Solder Process Data

| | |
|--|------------------------|
| Duration at Max. Process Temperature (seconds) | 5 |
| Lead-free Process Capability | Wave Capable (TH only) |
| Max. Cycles at Max. Process Temperature | 135 |
| Process Temperature max. C | 260 |

Material Info

Reference - Drawing Numbers

Sales Drawing SD-39501-002, SD-39544-001



EU RoHS

ELV and RoHS Compliant
REACH SVHC
 Not Reviewed
Halogen-Free
Status

China RoHS



Not Reviewed

Need more information on product environmental compliance?

Email productcompliance@molex.com
 For a multiple part number RoHS Certificate of Compliance, [click here](#)

Please visit the [Contact Us](#) section for any non-product compliance questions.

Search Parts in this Series

39544Series

3950X SERIES
3.50mm HEADERS



3952X & 3954X SERIES
5.00mm HEADERS
5.00mm 10 AMP FIXED



3953X SERIES
5.08mm HEADERS



3951X SERIES
3.81mm HEADERS



3954X SERIES
5.00mm 15 AMP FIXED



3954X SERIES
5.08mm 15 AMP FIXED



NOTES:

- REFER TO INDIVIDUAL PRODUCT SALES DRAWINGS FOR "B" DIMENSION.
- DOES NOT APPLY TO DUAL LEVEL HEADERS, SERIES 39528 AND 39538.
- TYP. = TYPICAL.

INITIAL RELEASE
EC NO: ETC2007-0096
DRWN: CLYORK 2006/10/02
CHKD: JMACNEIL 2006/10/04
APPR: JMACNEIL 2006/10/04

| REV | DESCRIPTION |
|-----|-------------|
| A | |

| QUALITY SYMBOLS | |
|-----------------|------|
| | =0 |
| | =0.1 |

| GENERAL TOLERANCES (UNLESS SPECIFIED) | | |
|---------------------------------------|--------|---------|
| | mm | INCH |
| 4 PLACES | ± .005 | ± .0005 |
| 3 PLACES | ± .005 | ± .0005 |
| 2 PLACES | ± 0.13 | ± .01 |
| 1 PLACE | ± 0.3 | ± .012 |
| ANGULAR ± 2 ° | | |

| DIMENSION STYLE | | SCALE | DESIGN UNITS | THIRD ANGLE PROJECTION |
|-----------------|--|--------------|---|------------------------|
| MM/IN | | 3:1 | INCH | |
| DRAWN BY | | DATE | TITLE | |
| C. YORK | | 2006/08/25 | RECOMMENDED PCB LAYOUT FOR ESE TERMINAL BLOCKS | |
| CHECKED BY | | DATE | MOLEX INCORPORATED | |
| J. MACNEIL | | 2006/08/25 | SD-39501-002 | |
| APPROVED BY | | DATE | SHEET NO. | |
| J. MACNEIL | | 2006/08/25 | 1 OF 1 | |
| MATERIAL NO. | | DOCUMENT NO. | THIS DRAWING CONTAINS INFORMATION THAT IS PROPRIETARY TO MOLEX INCORPORATED AND SHOULD NOT BE USED WITHOUT WRITTEN PERMISSION | |
| --- | | SD-39501-002 | | |

10 9 8 7 6 5 4 3 2 1

F

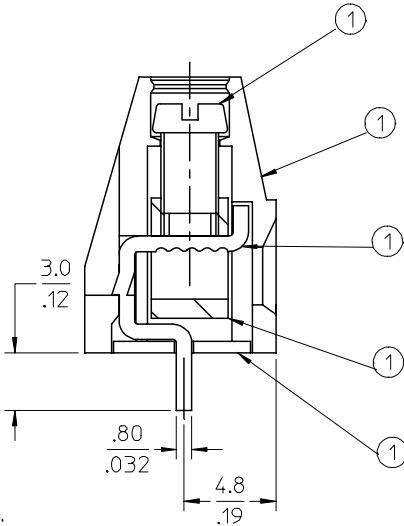
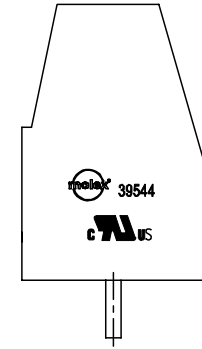
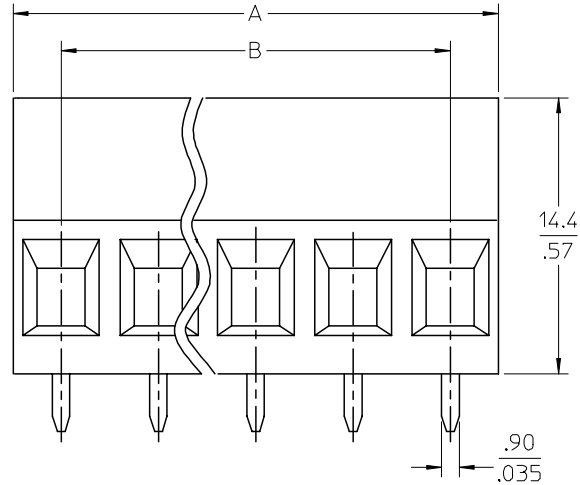
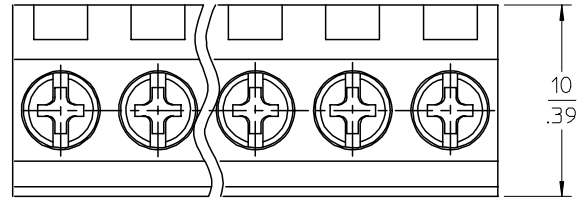
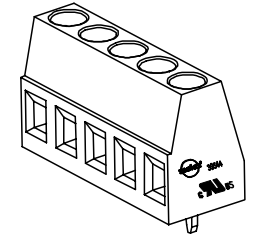
E

D

C

B

A



SPECIFICATIONS:

- 1. Material:
 - (1). Screw: C1010.
 - (2). Body: PA66
 - (3). Terminal: Brass
 - (4). Cage: Brass
 - (5). Cover: PA66
- 2. Wire range: 30 - 12AWG.
- 3. Electrical rating: 300V, 15A.
- 4. MAX TORQUE: 4.5 in-lbs.
- 5. Wire strip length: 5.00mm.
- 6. Insulation resistance: DC500V, 500M.
- 7. Operating temperature: -40C to +105C.
- 8. A = N x P.
- 9. B = (N - 1) x P
- 10. P = (Pitch) = 5.08MM (.200").
- 11. N = Number of positions available 2 through 24.
- 12. ASSEMBLY IS ROHS COMPLIANT.

| | | | | | | | | | |
|---|-------------------------------|--|-----------------------|---------------------|--|--------------------|------------------------|---|--|
| REVISE WIRE RANGE EC NO: ETC2007-0359 DRWN: CLYORK 2007/03/26 CHKD: JMACNEIL 2007/04/02 APPR: JMACNEIL 2007/04/03 | QUALITY SYMBOLS ▽=0 ▽=0 | GENERAL TOLERANCES (UNLESS SPECIFIED) | | DIMENSION STYLE | SCALE | DESIGN UNITS | THIRD ANGLE PROJECTION | | |
| | | | | MM/IN | 4:1 | INCH | | | |
| | | 4 PLACES ± --- ±.0015 | 3 PLACES ±0.038 ±.005 | 2 PLACES ±0.13 ±.01 | 1 PLACE ±0.3 ±--- | DRAWN BY | DATE | TITLE | |
| | | ANGULAR ± 2 ° | | | | LROTHAUS | 12/6/05 | 5.08MM, EURO TERM BLOCK VERTICAL, PC MOUNT STAMPED TERMINAL | |
| | | DRAFT WHERE APPLICABLE MUST REMAIN WITHIN DIMENSIONS | | CHECKED BY | DATE | MOLEX INCORPORATED | | | |
| | | | | C. YORK | 01/06/06 | DOCUMENT NO. | | | |
| | | | | APPROVED BY | DATE | SHEET NO. | | | |
| | | | | J. PAWLICKI | 01/10/06 | SD-39544-001 | | | |
| | | | | MATERIAL NO. | THIS DRAWING CONTAINS INFORMATION THAT IS PROPRIETARY TO MOLEX INCORPORATED AND SHOULD NOT BE USED WITHOUT WRITTEN PERMISSION | | | | |
| | | | | SEE CHART | 1 OF 2 | | | | |

9 8 7 6 5 4 3 2 1

| Description | Circuit size | Material Numbers | | | | | | Dimensional Information | | | |
|--|--------------|------------------|-----------|-----------|------------------|-----------|-----------|-------------------------|-------|--------|-------|
| | | Black | | | Green | | | Dim. A | | Dim B | |
| | | 100% Tin | | | 100% Tin | | | | | | |
| | | Printing Options | | | Printing Options | | | | | | |
| None | 10A | 11A | None | 10A | 11A | mm | inch | mm | inch | | |
| 5.08mm, Euro Block, PC Mount, Vertical | 2 | 395443002 | 395445002 | 395447002 | 395943002 | 395945002 | 395947002 | 10.16 | .400 | 5.08 | .200 |
| 5.08mm, Euro Block, PC Mount, Vertical | 3 | 395443003 | 395445003 | 395447003 | 395943003 | 395945003 | 395947003 | 15.24 | .600 | 10.16 | .400 |
| 5.08mm, Euro Block, PC Mount, Vertical | 4 | 395443004 | 395445004 | 395447004 | 395943004 | 395945004 | 395947004 | 20.32 | .800 | 15.24 | .600 |
| 5.08mm, Euro Block, PC Mount, Vertical | 5 | 395443005 | 395445005 | 395447005 | 395943005 | 395945005 | 395947005 | 25.40 | 1.000 | 20.32 | .800 |
| 5.08mm, Euro Block, PC Mount, Vertical | 6 | 395443006 | 395445006 | 395447006 | 395943006 | 395945006 | 395947006 | 30.48 | 1.200 | 25.40 | 1.000 |
| 5.08mm, Euro Block, PC Mount, Vertical | 7 | 395443007 | 395445007 | 395447007 | 395943007 | 395945007 | 395947007 | 35.56 | 1.400 | 30.48 | 1.200 |
| 5.08mm, Euro Block, PC Mount, Vertical | 8 | 395443008 | 395445008 | 395447008 | 395943008 | 395945008 | 395947008 | 40.64 | 1.600 | 35.56 | 1.400 |
| 5.08mm, Euro Block, PC Mount, Vertical | 9 | 395443009 | 395445009 | 395447009 | 395943009 | 395945009 | 395947009 | 45.72 | 1.800 | 40.64 | 1.600 |
| 5.08mm, Euro Block, PC Mount, Vertical | 10 | 395443010 | 395445010 | 395447010 | 395943010 | 395945010 | 395947010 | 50.80 | 2.000 | 45.72 | 1.800 |
| 5.08mm, Euro Block, PC Mount, Vertical | 11 | 395443011 | 395445011 | 395447011 | 395943011 | 395945011 | 395947011 | 55.88 | 2.200 | 50.80 | 2.000 |
| 5.08mm, Euro Block, PC Mount, Vertical | 12 | 395443012 | 395445012 | 395447012 | 395943012 | 395945012 | 395947012 | 60.96 | 2.400 | 55.88 | 2.200 |
| 5.08mm, Euro Block, PC Mount, Vertical | 13 | 395443013 | 395445013 | 395447013 | 395943013 | 395945013 | 395947013 | 66.04 | 2.600 | 60.96 | 2.400 |
| 5.08mm, Euro Block, PC Mount, Vertical | 14 | 395443014 | 395445014 | 395447014 | 395943014 | 395945014 | 395947014 | 71.12 | 2.800 | 66.04 | 2.600 |
| 5.08mm, Euro Block, PC Mount, Vertical | 15 | 395443015 | 395445015 | 395447015 | 395943015 | 395945015 | 395947015 | 76.20 | 3.000 | 71.12 | 2.800 |
| 5.08mm, Euro Block, PC Mount, Vertical | 16 | 395443016 | 395445016 | 395447016 | 395943016 | 395945016 | 395947016 | 81.28 | 3.200 | 76.20 | 3.000 |
| 5.08mm, Euro Block, PC Mount, Vertical | 17 | 395443017 | 395445017 | 395447017 | 395943017 | 395945017 | 395947017 | 86.36 | 3.400 | 81.28 | 3.200 |
| 5.08mm, Euro Block, PC Mount, Vertical | 18 | 395443018 | 395445018 | 395447018 | 395943018 | 395945018 | 395947018 | 91.44 | 3.600 | 86.36 | 3.400 |
| 5.08mm, Euro Block, PC Mount, Vertical | 19 | 395443019 | 395445019 | 395447019 | 395943019 | 395945019 | 395947019 | 96.52 | 3.800 | 91.44 | 3.600 |
| 5.08mm, Euro Block, PC Mount, Vertical | 20 | 395443020 | 395445020 | 395447020 | 395943020 | 395945020 | 395947020 | 101.60 | 4.000 | 96.52 | 3.800 |
| 5.08mm, Euro Block, PC Mount, Vertical | 21 | 395443021 | 395445021 | 395447021 | 395943021 | 395945021 | 395947021 | 106.68 | 4.200 | 101.60 | 4.000 |
| 5.08mm, Euro Block, PC Mount, Vertical | 22 | 395443022 | 395445022 | 395447022 | 395943022 | 395945022 | 395947022 | 111.76 | 4.400 | 106.68 | 4.200 |
| 5.08mm, Euro Block, PC Mount, Vertical | 23 | 395443023 | 395445023 | 395447023 | 395943023 | 395945023 | 395947023 | 116.84 | 4.600 | 111.76 | 4.400 |
| 5.08mm, Euro Block, PC Mount, Vertical | 24 | 395443024 | 395445024 | 395447024 | 395943024 | 395945024 | 395947024 | 121.92 | 4.800 | 116.84 | 4.600 |

| | | | | | | |
|---|--|---|---|--|--|--|
| SEE SHEET 1 EC NO: ETC2007-0359 DRWN: CLYORK 2007/03/26 CHKD: JMACNEIL 2007/04/02 APPR: JMACNEIL 2007/04/03 | QUALITY SYMBOLS ▽=0 ▽=0 | GENERAL TOLERANCES (UNLESS SPECIFIED) mm INCH 4 PLACES ± --- ±.0015 3 PLACES ± 0.038 ±.005 2 PLACES ± 0.13 ±.01 1 PLACE ± 0.3 ± --- ANGULAR ± 2 ° | DIMENSION STYLE MM/IN DRAWN BY DATE LROTHAUS 12/16/05 CHECKED BY DATE C. YORK 01/06/06 APPROVED BY DATE J. PAWLICKI 01/10/06 | SCALE 4:1 DESIGN UNITS INCH THIRD ANGLE PROJECTION | TITLE 5.08MM, EURO TERM. BLOCK VERTICAL, PC MOUNT, STAMPED TERMINAL | |
| | MATERIAL NO. SEE CHART | DOCUMENT NO. SD-39544-001 | SHEET NO. 2 OF 2 | | | |
| | DRAFT WHERE APPLICABLE MUST REMAIN WITHIN DIMENSIONS | | | SIZE B | THIS DRAWING CONTAINS INFORMATION THAT IS PROPRIETARY TO MOLEX INCORPORATED AND SHOULD NOT BE USED WITHOUT WRITTEN PERMISSION | |