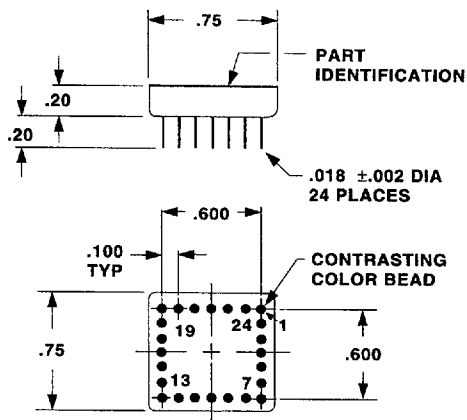


FEATURES

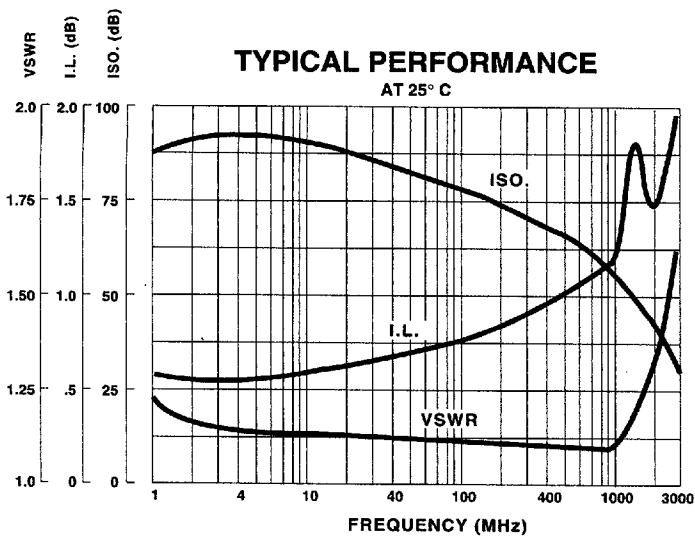
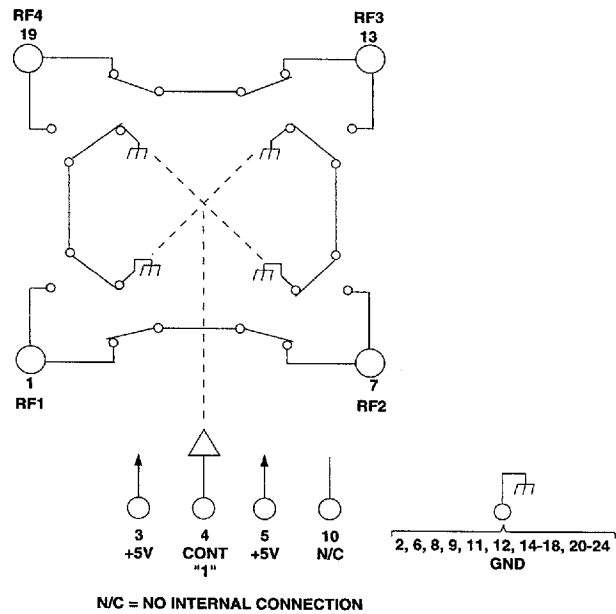
- 5-1000 MHz
- 70 dB Isolation
- Small .75 Sq. Package



XFER



LOGIC TABLE	
CTL	FUNCTION
"0"	RF1 - RF4 RF2 - RF3
"1"	RF1 - RF2 RF3 - RF4



GUARANTEED PERFORMANCE

PARAMETER	MIN	TYP	MAX	UNITS	CONDITIONS
OPERATING FREQUENCY	5		1000	MHz	
DC CURRENT		0.35	20	mA	AT +5 VDC SUPPLY
CONTROL TYPE		TTL			SEE LOGIC TABLE
CONTROL CURRENT:	HIGH LOW	0 0		μA μA	V _{IH} = +2.7V V _{IL} = +0.5V
ISOLATION	70 55 40			dB dB dB	5 - 100 MHz 100 - 550 MHz 550 - 1000 MHz
INSERTION LOSS			1.3 1.7	dB dB	5 - 550 MHz 550 - 1000 MHz
VSWR:	THRU	1.09/1	1.3/1		
IMPEDANCE		50		OHMS	
SWITCHING SPEED		0.05	6.0	μSEC	50%TTL TO 90% / 10% RF
TRANSITION (RISE/FALL) TIME		4		n SEC	90% / 10% OR 10% / 90% RF
SWITCHING (VIDEO) TRANSIENTS		50		mV	PEAK VALUE
INTERCEPT POINTS,	2ND 3RD	+61 +30	+43	dBm dBm	MHz MHz
RF POWER:	OPERATE		+5 +10 +13	dBm dBm dBm	5 - 50 MHz 50 - 200 MHz 200 - 1000 MHz
OPERATING TEMPERATURE	-54	+25	+125	°C	TA