



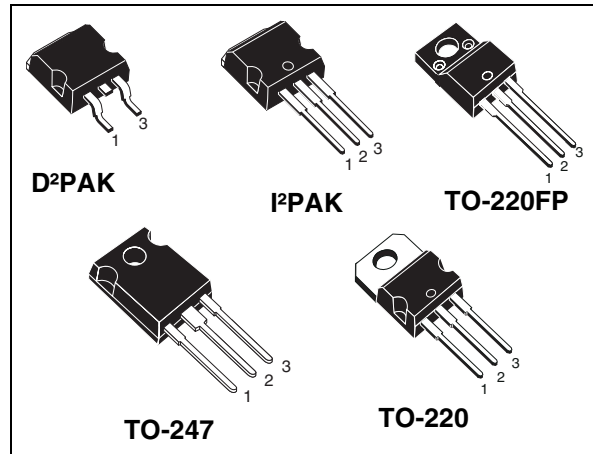
# STB22NM60N, STF22NM60N, STI22NM60N STP22NM60N, STW22NM60N

N-channel 600 V, 0.2  $\Omega$ , 16 A MDmesh™ II Power MOSFET  
in D<sup>2</sup>PAK, TO-220FP, I<sup>2</sup>PAK, TO-220 and TO-247

## Features

Order codes	V <sub>DSS</sub> (@T <sub>jmax</sub> )	R <sub>DS(on)</sub> max.	I <sub>D</sub>
STB22NM60N	650 V	< 0.22 $\Omega$	16 A
STF22NM60N	650 V	< 0.22 $\Omega$	16 A
STI22NM60N	650 V	< 0.22 $\Omega$	16 A
STP22NM60N	650 V	< 0.22 $\Omega$	16 A
STW22NM60N	650 V	< 0.22 $\Omega$	16 A

- 100% avalanche tested
- Low input capacitance and gate charge
- Low gate input resistance



## Application

Switching applications

## Description

These devices are made using the second generation of MDmesh™ technology. This revolutionary Power MOSFET associates a new vertical structure to the company's strip layout to yield one of the world's lowest on-resistance and gate charge. It is therefore suitable for the most demanding high efficiency converters.

Figure 1. Internal schematic diagram



Table 1. Device summary

Order codes	Marking	Package	Packaging
STB22NM60N	22NM60N	D <sup>2</sup> PAK	Tape and reel
STF22NM60N		TO-220FP	Tube
STI22NM60N		I <sup>2</sup> PAK	
STP22NM60N		TO-220	
STW22NM60N		TO-247	

# Contents

<b>1</b>	<b>Electrical ratings</b> .....	<b>3</b>
<b>2</b>	<b>Electrical characteristics</b> .....	<b>4</b>
2.1	Electrical characteristics (curves) .....	6
<b>3</b>	<b>Test circuits</b> .....	<b>9</b>
<b>4</b>	<b>Package mechanical data</b> .....	<b>10</b>
<b>5</b>	<b>Packaging mechanical data</b> .....	<b>20</b>
<b>6</b>	<b>Revision history</b> .....	<b>22</b>

# 1 Electrical ratings

**Table 2. Absolute maximum ratings**

Symbol	Parameter	Value			Unit
		D <sup>2</sup> PAK I <sup>2</sup> PAK	TO-220 TO-247	TO-220FP	
V <sub>GS</sub>	Gate- source voltage	± 30			V
I <sub>D</sub>	Drain current (continuous) at T <sub>C</sub> = 25 °C	16		16 <sup>(1)</sup>	A
I <sub>D</sub>	Drain current (continuous) at T <sub>C</sub> = 100 °C	10		10 <sup>(1)</sup>	A
I <sub>DM</sub> <sup>(2)</sup>	Drain current (pulsed)	64		64 <sup>(1)</sup>	A
P <sub>TOT</sub>	Total dissipation at T <sub>C</sub> = 25 °C	125		30	W
dv/dt <sup>(3)</sup>	Peak diode recovery voltage slope	15			V/ns
V <sub>ISO</sub>	Insulation withstand voltage (RMS) from all three leads to external heat sink (t=1 s; T <sub>C</sub> =25 °C)			2500	V
T <sub>J</sub> T <sub>stg</sub>	Operating junction temperature Storage temperature	-55 to 150			°C

- Limited only by maximum temperature allowed
- Pulse width limited by safe operating area
- $I_{SD} \leq 16 \text{ A}$ ,  $di/dt \leq 400 \text{ A}/\mu\text{s}$ ,  $V_{DSpeak} \leq V_{(BR)DSS}$ ,  $V_{DD} = 80\% V_{(BR)DSS}$

**Table 3. Thermal data**

Symbol	Parameter	Value					Unit
		D <sup>2</sup> PAK	I <sup>2</sup> PAK	TO-220	TO-247	TO-220FP	
R <sub>thj-case</sub>	Thermal resistance junction-case max.	1				4.17	°C/W
R <sub>thj-amb</sub>	Thermal resistance junction-ambient max.		62.5	50		62.5	°C/W
R <sub>thj-pcb</sub> <sup>(1)</sup>	Thermal resistance junction-pcb max.	30					°C/W
T <sub>J</sub>	Maximum lead temperature for soldering purpose		300				°C/W

- When mounted on 1inch<sup>2</sup> FR-4 board, 2 oz Cu

**Table 4. Thermal data**

Symbol	Parameter	Value	Unit
I <sub>AR</sub>	Avalanche current, repetitive or not-repetitive (pulse width limited by T <sub>J</sub> max)	6	A
E <sub>AS</sub>	Single pulse avalanche energy (starting T <sub>J</sub> = 25 °C, I <sub>D</sub> = I <sub>AR</sub> , V <sub>DD</sub> = 50 V)	300	mJ

## 2 Electrical characteristics

(T<sub>case</sub> = 25 °C unless otherwise specified)

**Table 5. On /off states**

Symbol	Parameter	Test conditions	Min.	Typ.	Max.	Unit
V <sub>(BR)DSS</sub>	Drain-source breakdown voltage	I <sub>D</sub> = 1 mA, V <sub>GS</sub> = 0	600			V
I <sub>DSS</sub>	Zero gate voltage drain current (V <sub>GS</sub> = 0)	V <sub>DS</sub> = Max rating V <sub>DS</sub> = Max rating, T <sub>C</sub> =125 °C			1 100	μA μA
I <sub>GSS</sub>	Gate-body leakage current (V <sub>DS</sub> = 0)	V <sub>GS</sub> = ± 25 V			100	nA
V <sub>GS(th)</sub>	Gate threshold voltage	V <sub>DS</sub> = V <sub>GS</sub> , I <sub>D</sub> = 250 μA	2	3	4	V
R <sub>DS(on)</sub>	Static drain-source on resistance	V <sub>GS</sub> = 10 V, I <sub>D</sub> = 8 A		0.2	0.22	Ω

**Table 6. Dynamic**

Symbol	Parameter	Test conditions	Min.	Typ.	Max.	Unit
C <sub>iss</sub>	Input capacitance	V <sub>DS</sub> = 50 V, f = 1 MHz, V <sub>GS</sub> = 0	-	1330	-	pF
C <sub>oss</sub>	Output capacitance			84		pF
C <sub>rss</sub>	Reverse transfer capacitance			4.6		pF
C <sub>oss eq.</sub> <sup>(1)</sup>	Output equivalent capacitance	V <sub>DS</sub> = 0 to 480 V, V <sub>GS</sub> = 0	-	181	-	pF
R <sub>g</sub>	Gate input resistance	f=1 MHz open drain	-	4.7	-	Ω
Q <sub>g</sub>	Total gate charge	V <sub>DD</sub> = 480 V, I <sub>D</sub> = 16 A, V <sub>GS</sub> = 10 V <i>(see Figure 18)</i>	-	44	-	nC
Q <sub>gs</sub>	Gate-source charge			6		nC
Q <sub>gd</sub>	Gate-drain charge			25		nC

1. C<sub>oss eq.</sub> is defined as a constant equivalent capacitance giving the same charging time as C<sub>oss</sub> when V<sub>DS</sub> increases from 0 to 80% V<sub>DS</sub>.

**Table 7. Switching times**

Symbol	Parameter	Test conditions	Min.	Typ.	Max	Unit
$t_{d(on)}$	Turn-on delay time	$V_{DD} = 300\text{ V}$ , $I_D = 8\text{ A}$ , $R_G = 4.7\ \Omega$ , $V_{GS} = 10\text{ V}$ (see Figure 17)	-	11	-	ns
$t_{r(v)}$	Voltage rise time			18		ns
$t_{d(off)}$	Turn-off delay time			74		ns
$t_{f(i)}$	Fall time			38		ns

**Table 8. Source drain diode**

Symbol	Parameter	Test conditions	Min.	Typ.	Max	Unit
$I_{SD}$	Source-drain current		-		16	A
$I_{SDM}^{(1)}$	Source-drain current (pulsed)				64	A
$V_{SD}^{(2)}$	Forward on voltage	$I_{SD} = 16\text{ A}$ , $V_{GS} = 0$	-		1.6	V
$t_{rr}$	Reverse recovery time	$I_{SD} = 16\text{ A}$ , $di/dt = 100\text{ A}/\mu\text{s}$ $V_{DD} = 60\text{ V}$ (see Figure 19)	-	296		ns
$Q_{rr}$	Reverse recovery charge			4		$\mu\text{C}$
$I_{RRM}$	Reverse recovery current			26.8		A
$t_{rr}$	Reverse recovery time	$I_{SD} = 16\text{ A}$ , $di/dt = 100\text{ A}/\mu\text{s}$ $V_{DD} = 60\text{ V}$ , $T_J = 150\text{ }^\circ\text{C}$ (see Figure 19)	-	350		ns
$Q_{rr}$	Reverse recovery charge			4.7		$\mu\text{C}$
$I_{RRM}$	Reverse recovery current			27		A

1. Pulse width limited by safe operating area

2. Pulsed: pulse duration = 300  $\mu\text{s}$ , duty cycle 1.5%

## 2.1 Electrical characteristics (curves)

Figure 2. Safe operating area for TO-220, D<sup>2</sup>PAK, I<sup>2</sup>PAK

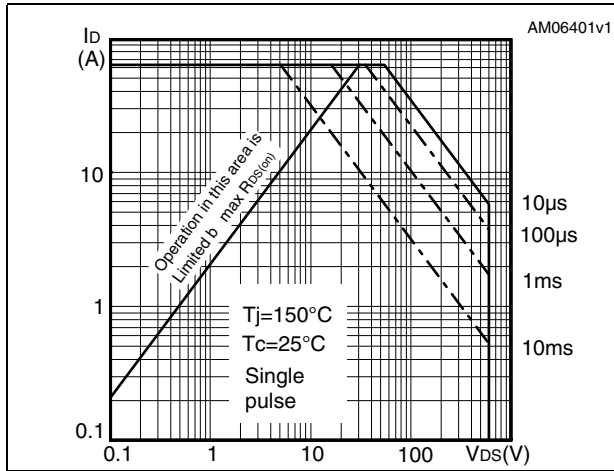


Figure 3. Thermal impedance for TO-220, D<sup>2</sup>PAK, I<sup>2</sup>PAK

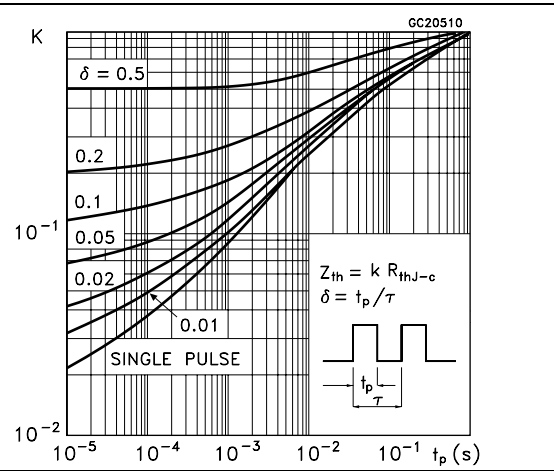


Figure 4. Safe operating area for TO-220FP

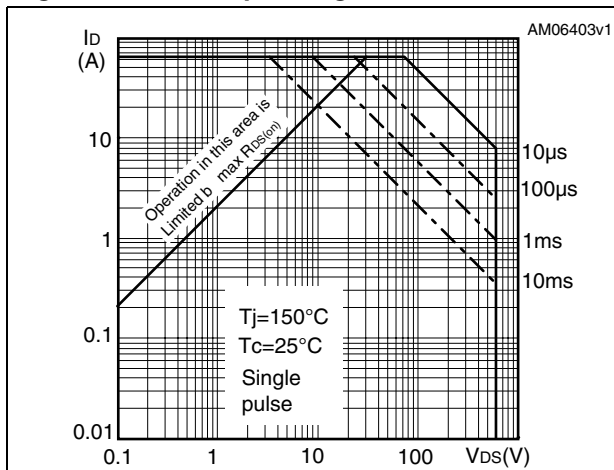


Figure 5. Thermal impedance for TO-220FP

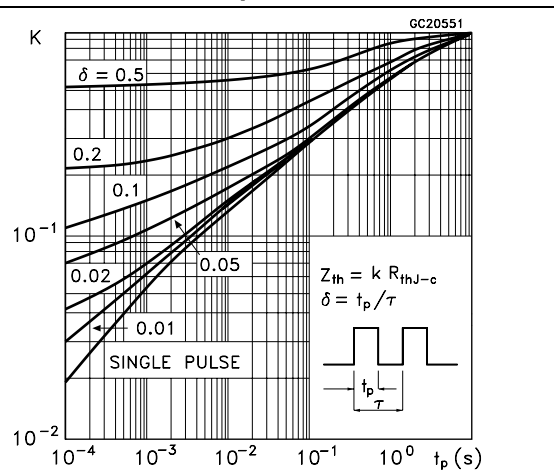


Figure 6. Safe operating area for TO-247

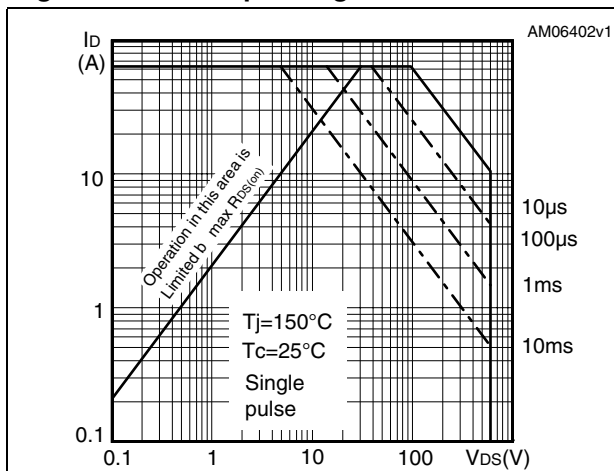


Figure 7. Thermal impedance for TO-247

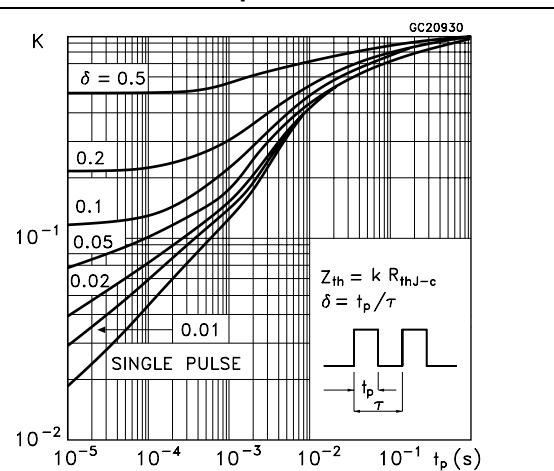


Figure 8. Output characteristics

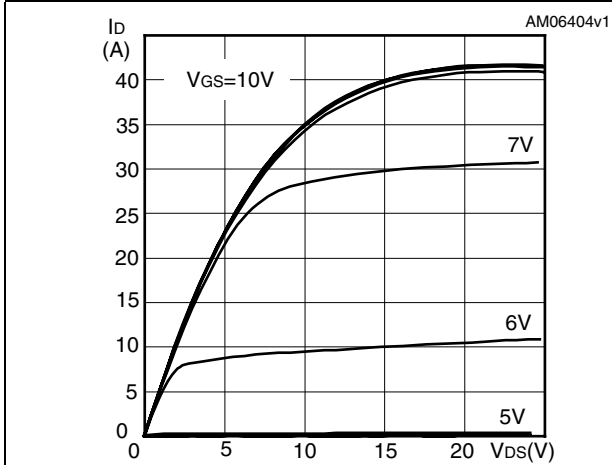


Figure 9. Transfer characteristics

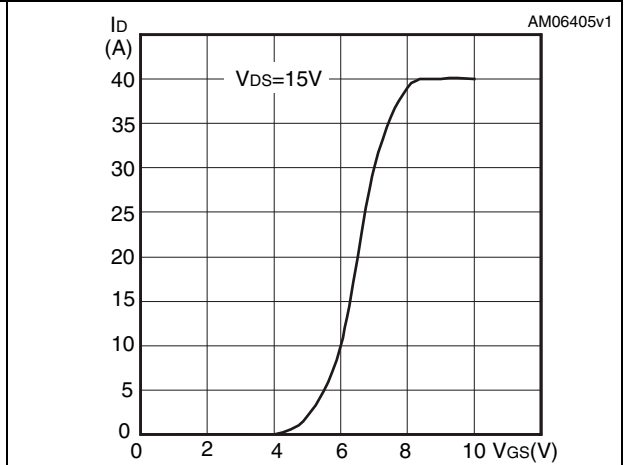


Figure 10. Gate charge vs gate-source voltage Figure 11. Static drain-source on resistance

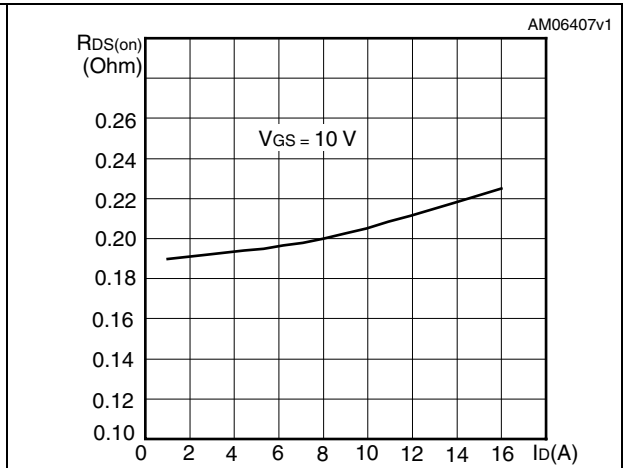
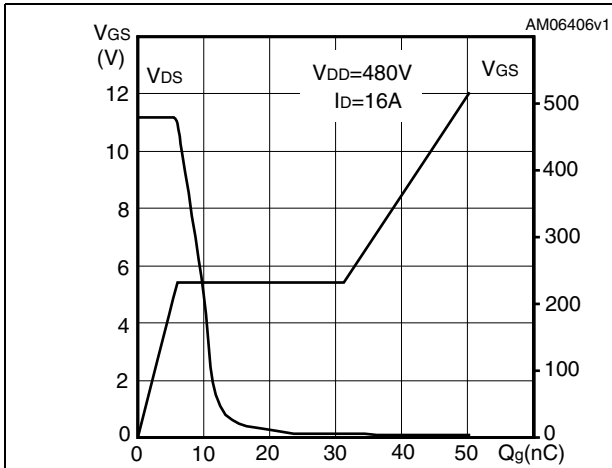


Figure 12. Capacitance variations

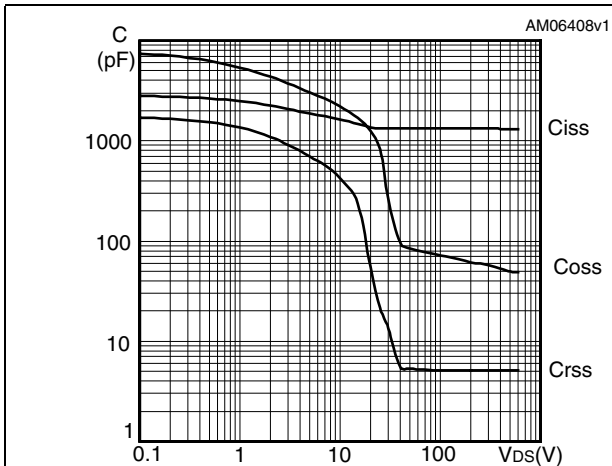


Figure 13. Output capacitance stored energy

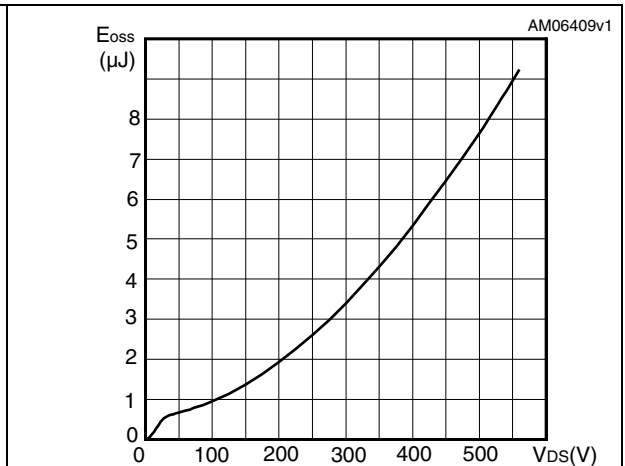


Figure 14. Normalized gate threshold voltage vs temperature

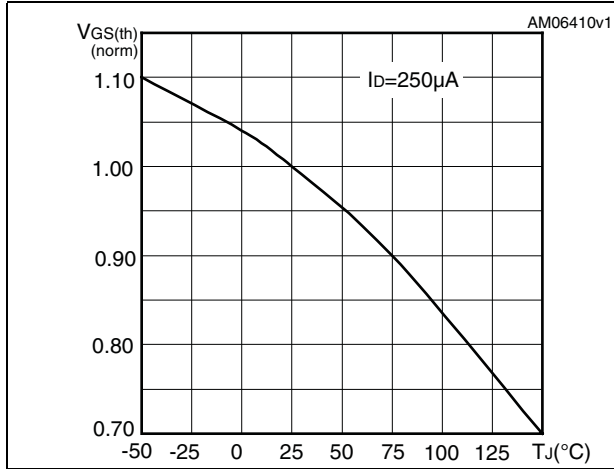


Figure 15. Normalized on resistance vs temperature

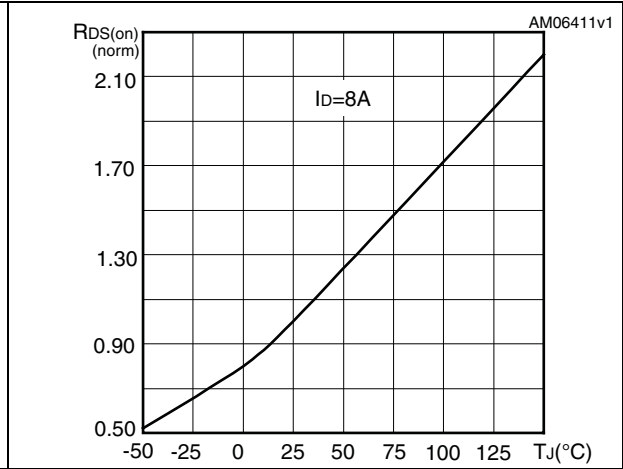
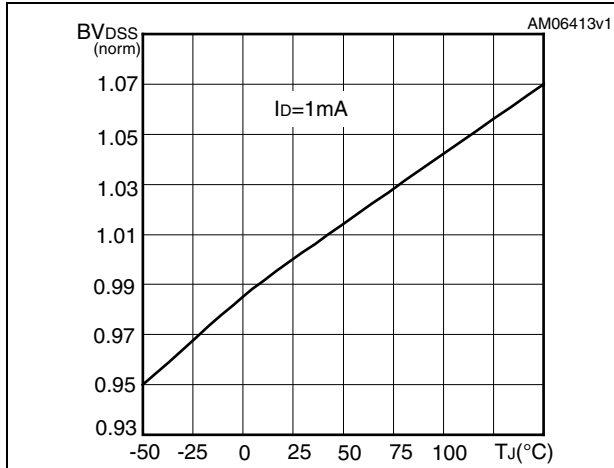


Figure 16. Normalized  $B_{VDSS}$  vs temperature



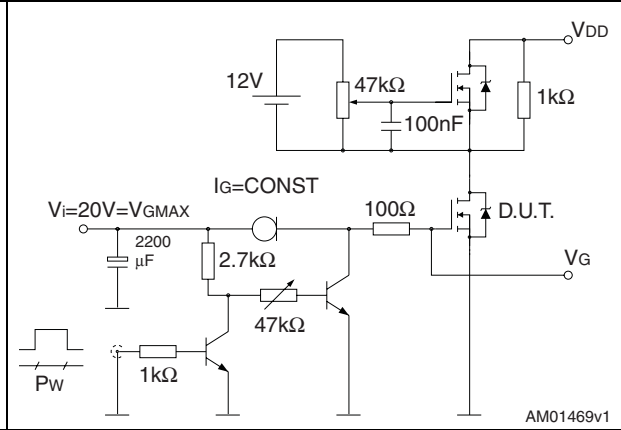


### 3 Test circuits

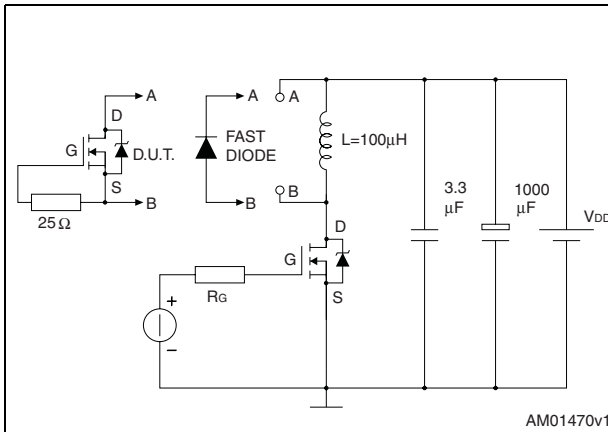
**Figure 17. Switching times test circuit for resistive load**



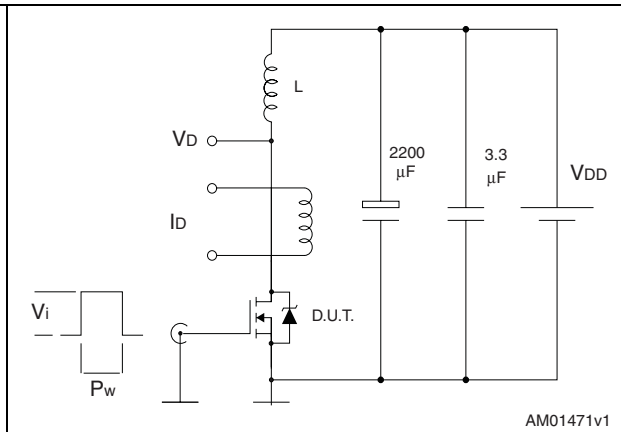
**Figure 18. Gate charge test circuit**



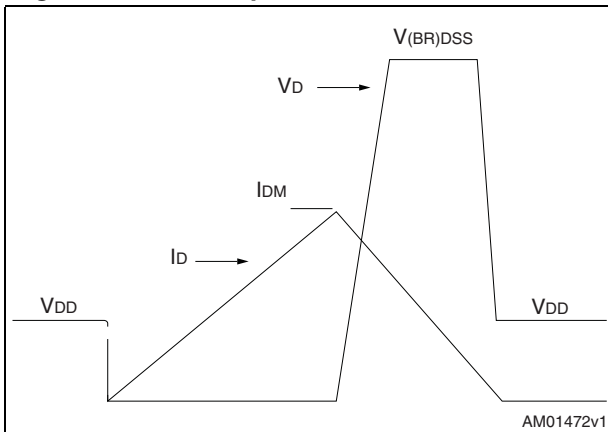
**Figure 19. Test circuit for inductive load switching and diode recovery times**



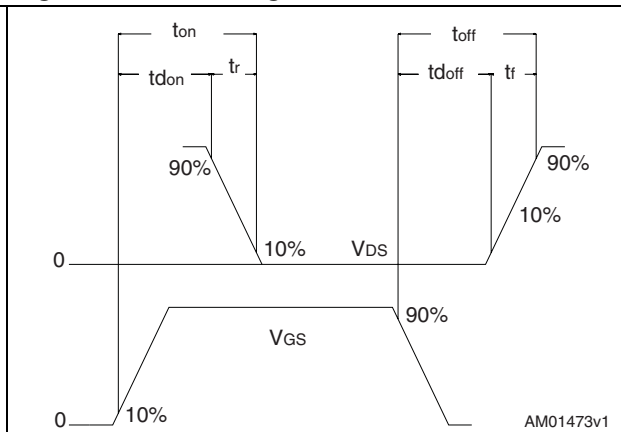
**Figure 20. Unclamped inductive load test circuit**



**Figure 21. Unclamped inductive waveform**



**Figure 22. Switching time waveform**



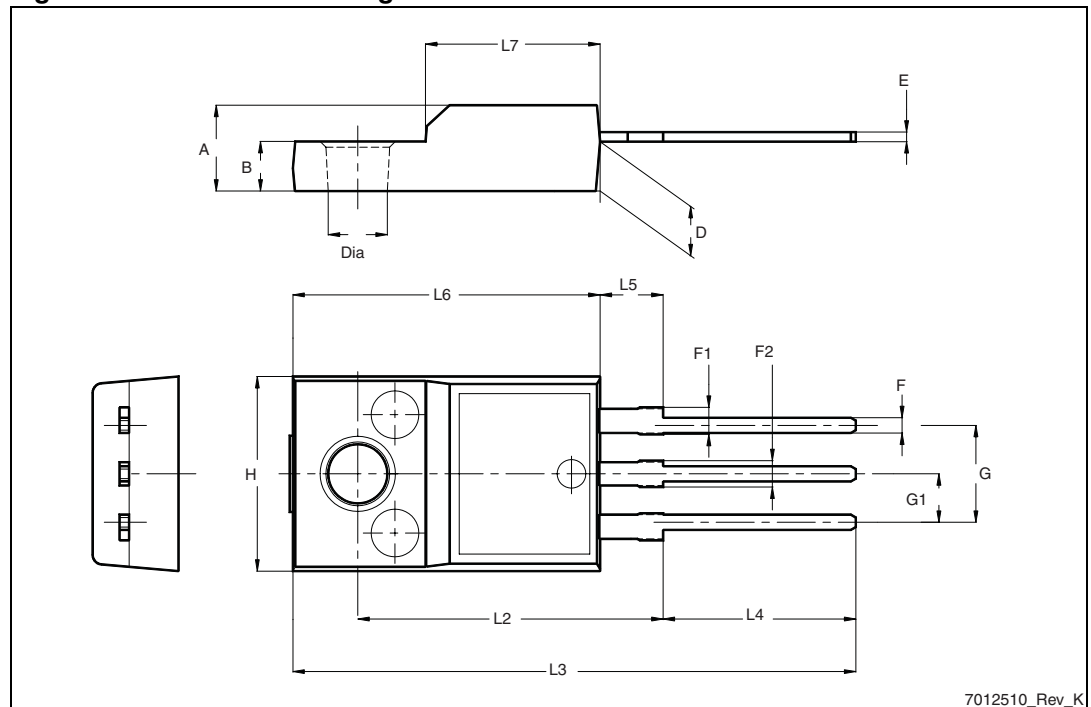
## 4 Package mechanical data

In order to meet environmental requirements, ST offers these devices in different grades of ECOPACK<sup>®</sup> packages, depending on their level of environmental compliance. ECOPACK<sup>®</sup> specifications, grade definitions and product status are available at: [www.st.com](http://www.st.com). ECOPACK is an ST trademark.

Table 9. TO-220FP mechanical data

Dim.	mm		
	Min.	Typ.	Max.
A	4.4		4.6
B	2.5		2.7
D	2.5		2.75
E	0.45		0.7
F	0.75		1
F1	1.15		1.70
F2	1.15		1.70
G	4.95		5.2
G1	2.4		2.7
H	10		10.4
L2		16	
L3	28.6		30.6
L4	9.8		10.6
L5	2.9		3.6
L6	15.9		16.4
L7	9		9.3
Dia	3		3.2

Figure 23. TO-220FP drawing



7012510\_Rev\_K

Table 10. D<sup>2</sup>PAK (TO-263) mechanical data

Dim.	mm		
	Min.	Typ.	Max.
A	4.40		4.60
A1	0.03		0.23
b	0.70		0.93
b2	1.14		1.70
c	0.45		0.60
c2	1.23		1.36
D	8.95		9.35
D1	7.50		
E	10		10.40
E1	8.50		
e		2.54	
e1	4.88		5.28
H	15		15.85
J1	2.49		2.69
L	2.29		2.79
L1	1.27		1.40
L2	1.30		1.75
R		0.4	
V2	0°		8°

Figure 24. D<sup>2</sup>PAK (TO-263) drawing

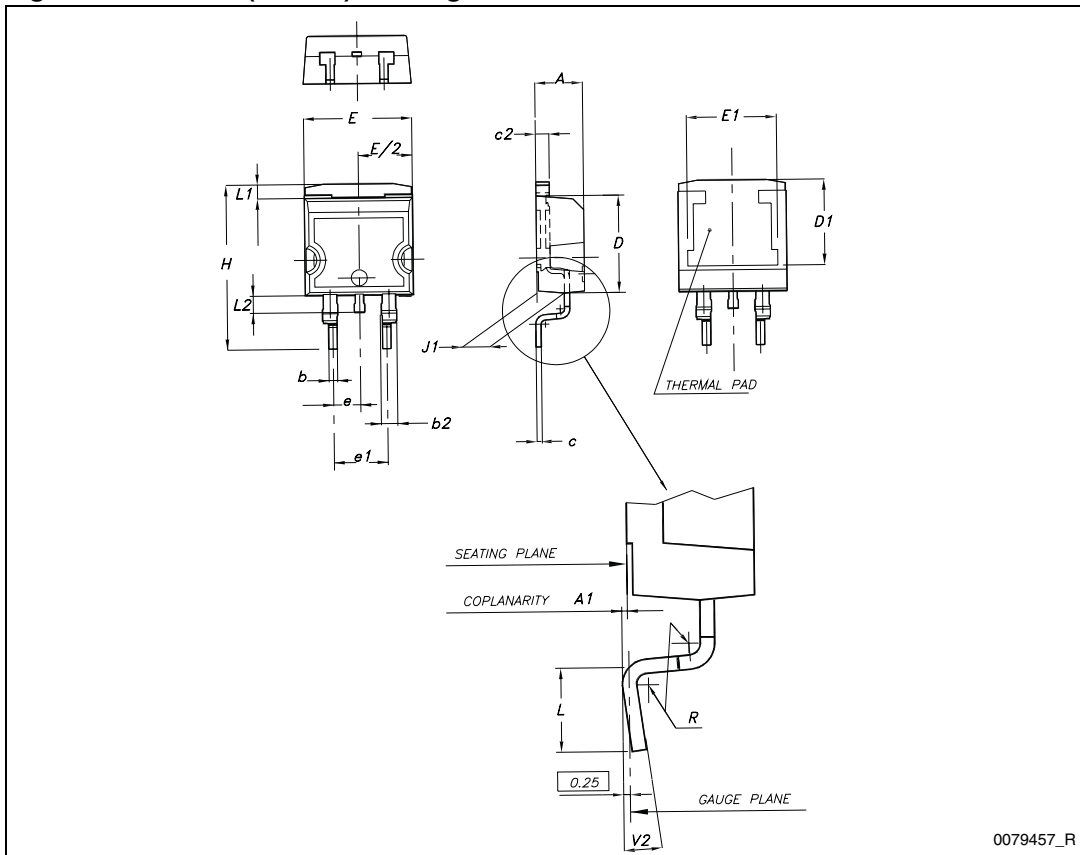


Table 11. TO-220 type A mechanical data

Dim.	mm		
	Min.	Typ.	Max.
A	4.40		4.60
b	0.61		0.88
b1	1.14		1.70
c	0.48		0.70
D	15.25		15.75
D1		1.27	
E	10		10.40
e	2.40		2.70
e1	4.95		5.15
F	1.23		1.32
H1	6.20		6.60
J1	2.40		2.72
L	13		14
L1	3.50		3.93
L20		16.40	
L30		28.90	
ØP	3.75		3.85
Q	2.65		2.95

Figure 25. TO-220 type A drawing

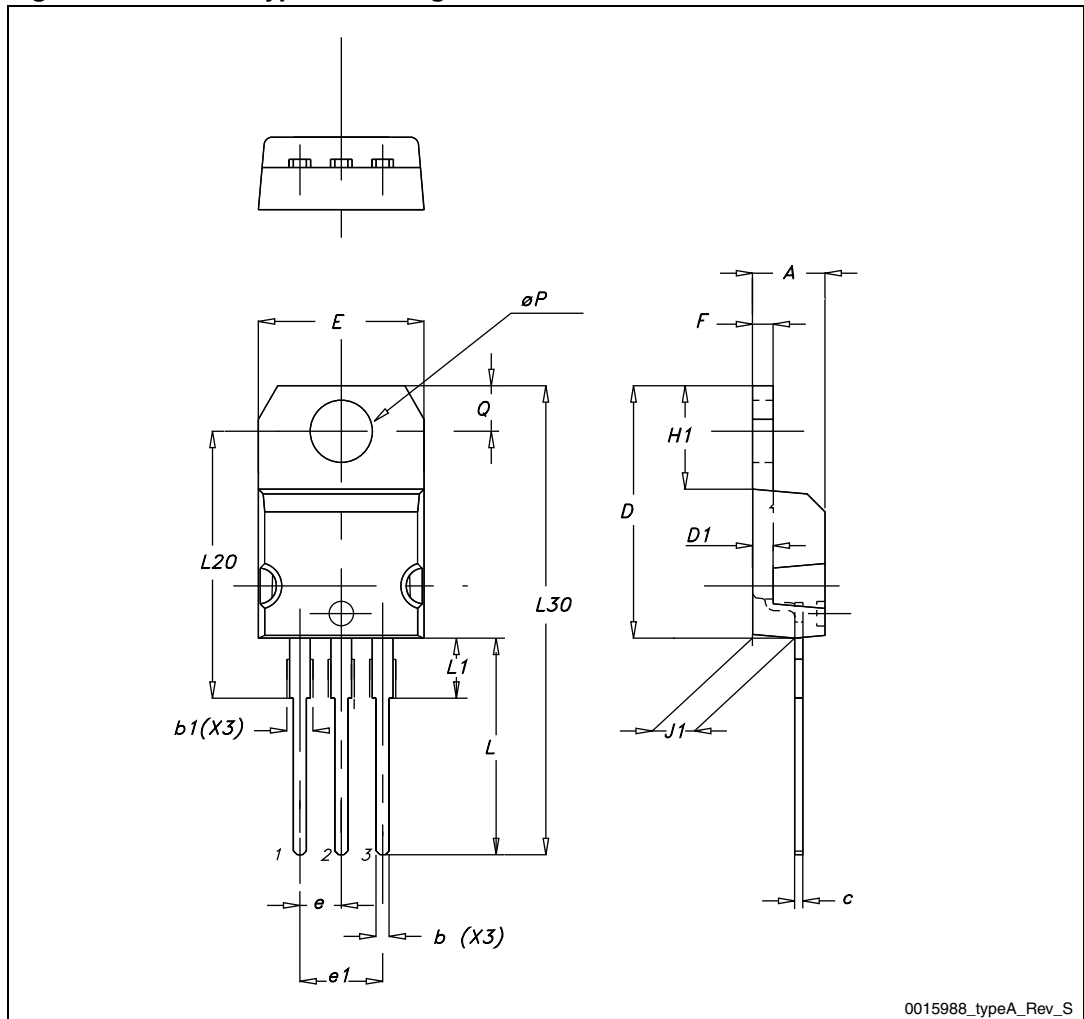


Table 12. TO-247 mechanical data

Dim.	mm		
	Min.	Typ.	Max.
A	4.85		5.15
A1	2.20		2.60
b	1.0		1.40
b1	2.0		2.40
b2	3.0		3.40
c	0.40		0.80
D	19.85		20.15
E	15.45		15.75
e		5.45	
L	14.20		14.80
L1	3.70		4.30
L2		18.50	
ØP	3.55		3.65
ØR	4.50		5.50
S		5.50	



Figure 26. TO-247 drawing

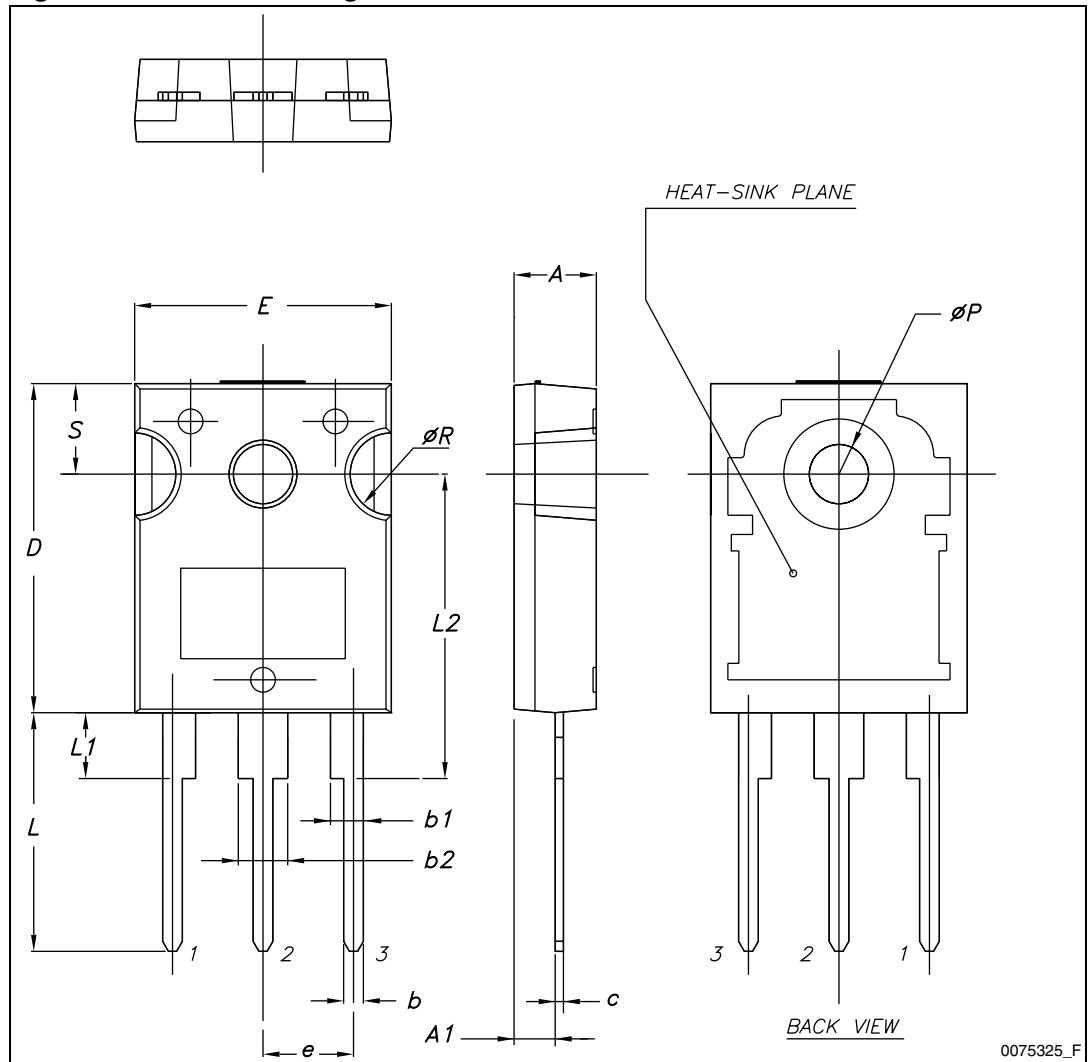
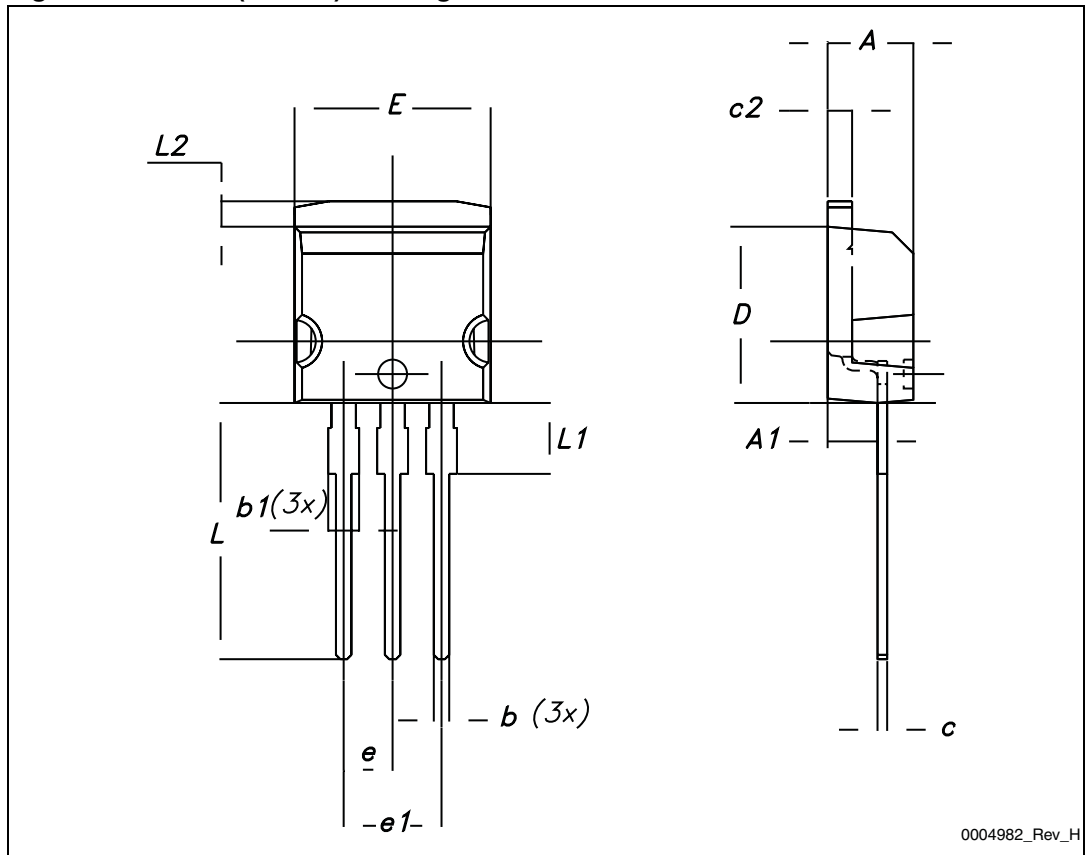


Table 13. I<sup>2</sup>PAK (TO-262) mechanical data

DIM.	mm.		
	min.	typ	max.
A	4.40		4.60
A1	2.40		2.72
b	0.61		0.88
b1	1.14		1.70
c	0.49		0.70
c2	1.23		1.32
D	8.95		9.35
e	2.40		2.70
e1	4.95		5.15
E	10		10.40
L	13		14
L1	3.50		3.93
L2	1.27		1.40

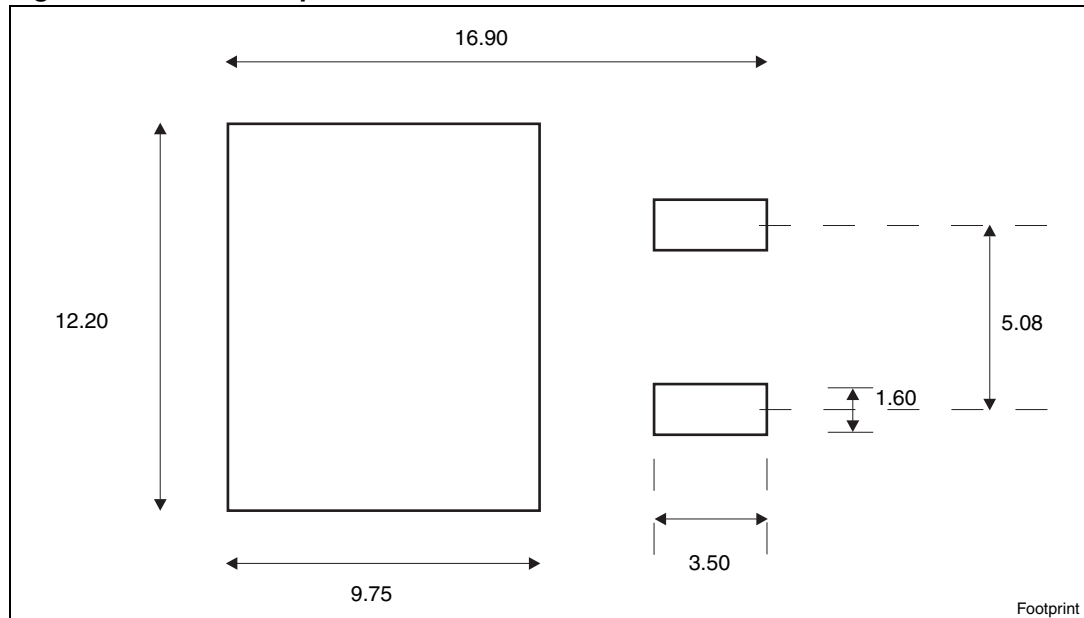
Figure 27. I<sup>2</sup>PAK (TO-262) drawing

## 5 Packaging mechanical data

Table 14. D<sup>2</sup>PAK (TO-263) tape and reel mechanical data

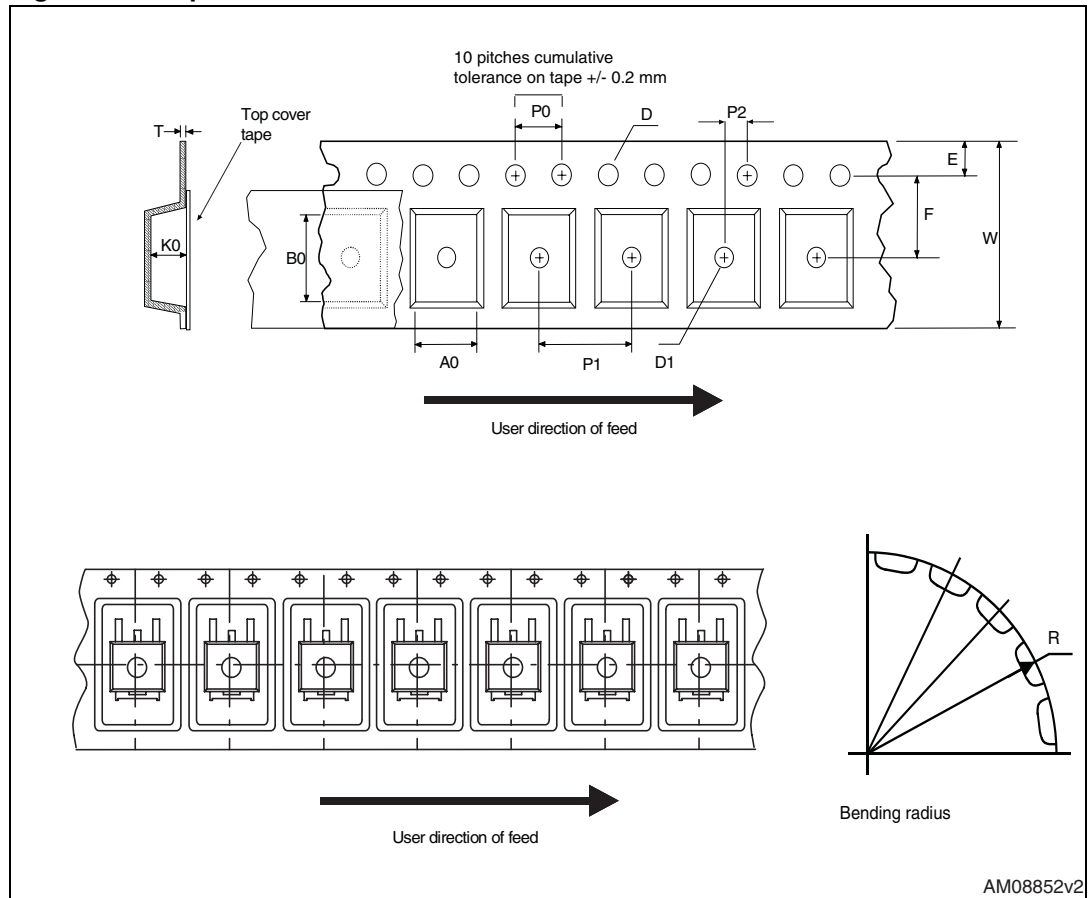
Tape			Reel		
Dim.	mm		Dim.	mm	
	Min.	Max.		Min.	Max.
A0	10.5	10.7	A		330
B0	15.7	15.9	B	1.5	
D	1.5	1.6	C	12.8	13.2
D1	1.59	1.61	D	20.2	
E	1.65	1.85	G	24.4	26.4
F	11.4	11.6	N	100	
K0	4.8	5.0	T		30.4
P0	3.9	4.1			
P1	11.9	12.1		Base qty	1000
P2	1.9	2.1		Bulk qty	1000
R	50				
T	0.25	0.35			
W	23.7	24.3			

Figure 28. D<sup>2</sup>PAK footprint<sup>(a)</sup>



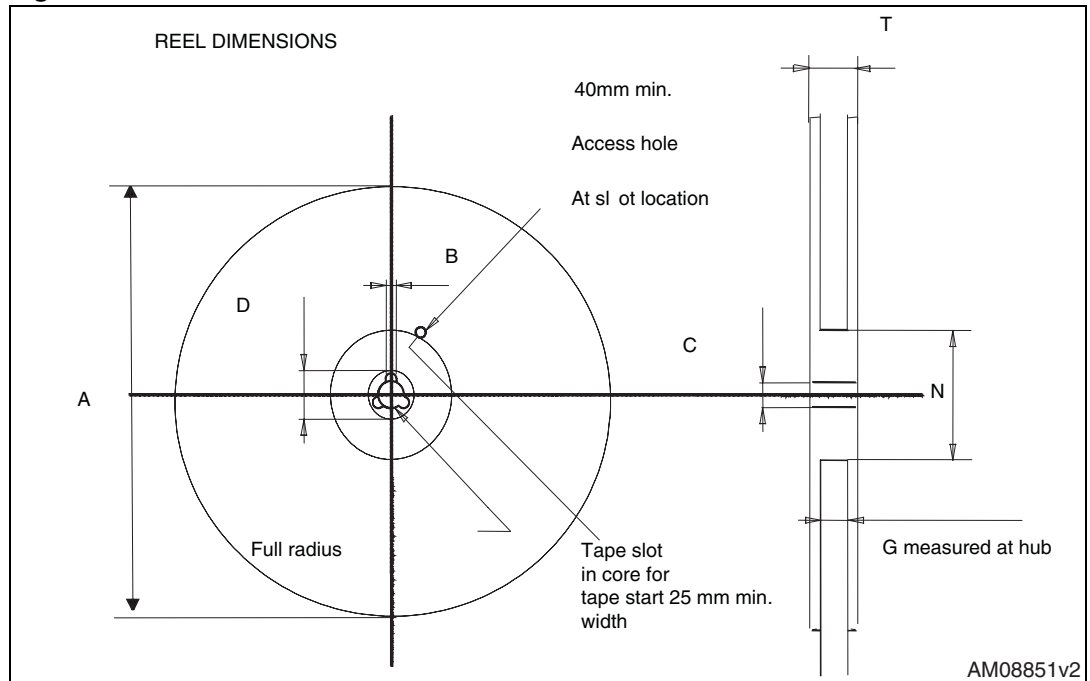
a. All dimension are in millimeters

Figure 29. Tape



AM08852v2

Figure 30. Reel



AM08851v2

## 6 Revision history

**Table 15. Document revision history**

Date	Revision	Changes
02-Jul-2009	1	First release.
18-Feb-2010	2	Document status promoted from preliminary data to datasheet.
27-Aug-2010	3	New package, mechanical data has been inserted: I <sup>2</sup> PAK.
05-Nov-2011	4	Some value changed in <a href="#">Table 5: On /off states</a> .

**Please Read Carefully:**

Information in this document is provided solely in connection with ST products. STMicroelectronics NV and its subsidiaries ("ST") reserve the right to make changes, corrections, modifications or improvements, to this document, and the products and services described herein at any time, without notice.

All ST products are sold pursuant to ST's terms and conditions of sale.

Purchasers are solely responsible for the choice, selection and use of the ST products and services described herein, and ST assumes no liability whatsoever relating to the choice, selection or use of the ST products and services described herein.

No license, express or implied, by estoppel or otherwise, to any intellectual property rights is granted under this document. If any part of this document refers to any third party products or services it shall not be deemed a license grant by ST for the use of such third party products or services, or any intellectual property contained therein or considered as a warranty covering the use in any manner whatsoever of such third party products or services or any intellectual property contained therein.

**UNLESS OTHERWISE SET FORTH IN ST'S TERMS AND CONDITIONS OF SALE ST DISCLAIMS ANY EXPRESS OR IMPLIED WARRANTY WITH RESPECT TO THE USE AND/OR SALE OF ST PRODUCTS INCLUDING WITHOUT LIMITATION IMPLIED WARRANTIES OF MERCHANTABILITY, FITNESS FOR A PARTICULAR PURPOSE (AND THEIR EQUIVALENTS UNDER THE LAWS OF ANY JURISDICTION), OR INFRINGEMENT OF ANY PATENT, COPYRIGHT OR OTHER INTELLECTUAL PROPERTY RIGHT.**

**UNLESS EXPRESSLY APPROVED IN WRITING BY AN AUTHORIZED ST REPRESENTATIVE, ST PRODUCTS ARE NOT RECOMMENDED, AUTHORIZED OR WARRANTED FOR USE IN MILITARY, AIR CRAFT, SPACE, LIFE SAVING, OR LIFE SUSTAINING APPLICATIONS, NOR IN PRODUCTS OR SYSTEMS WHERE FAILURE OR MALFUNCTION MAY RESULT IN PERSONAL INJURY, DEATH, OR SEVERE PROPERTY OR ENVIRONMENTAL DAMAGE. ST PRODUCTS WHICH ARE NOT SPECIFIED AS "AUTOMOTIVE GRADE" MAY ONLY BE USED IN AUTOMOTIVE APPLICATIONS AT USER'S OWN RISK.**

Resale of ST products with provisions different from the statements and/or technical features set forth in this document shall immediately void any warranty granted by ST for the ST product or service described herein and shall not create or extend in any manner whatsoever, any liability of ST.

ST and the ST logo are trademarks or registered trademarks of ST in various countries.

Information in this document supersedes and replaces all information previously supplied.

The ST logo is a registered trademark of STMicroelectronics. All other names are the property of their respective owners.

© 2011 STMicroelectronics - All rights reserved

STMicroelectronics group of companies

Australia - Belgium - Brazil - Canada - China - Czech Republic - Finland - France - Germany - Hong Kong - India - Israel - Italy - Japan - Malaysia - Malta - Morocco - Philippines - Singapore - Spain - Sweden - Switzerland - United Kingdom - United States of America

[www.st.com](http://www.st.com)

