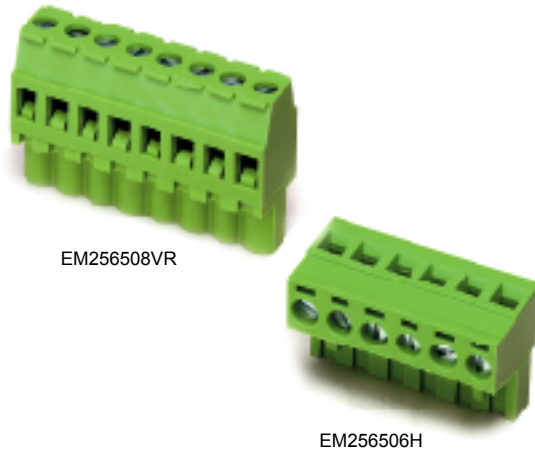


EM2565 Series
Euro-Mag Terminal Blocks
 Depluggable Block (Mates with EM2575 Header), 5.08 Centers



SPECIFICATIONS

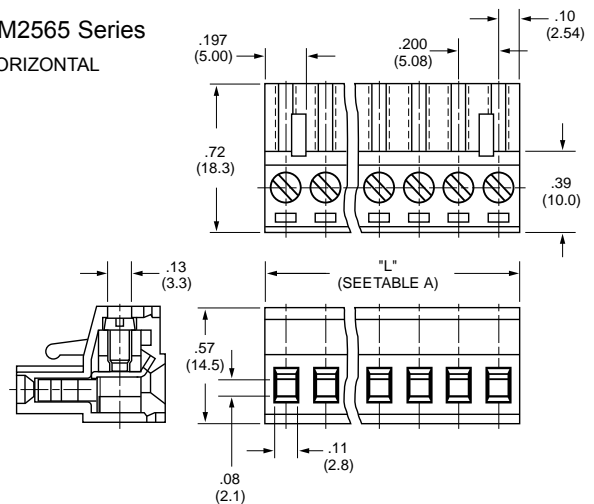
Rating: 15A, 300V
 Center Spacing: .200" (5.08 mm)
 Consult factory for .400" (10.16 mm)
 Wire Size: #12-22 AWG
 Housing Material: Green Polyamide Type 6/6, 94VO
 Contact Material: Brass Tin Plated
 Screw Size: M 3x5 Zinc Plated Steel
 Operating Temperature: 105°C (221°F) max., -40°C (-40°F) min.
 Torque Rating: 4.5 in-lb.
 Construction: Mold to Length
 Approvals: UL E62622; CSA LR701941; CE Certified

TABLE A

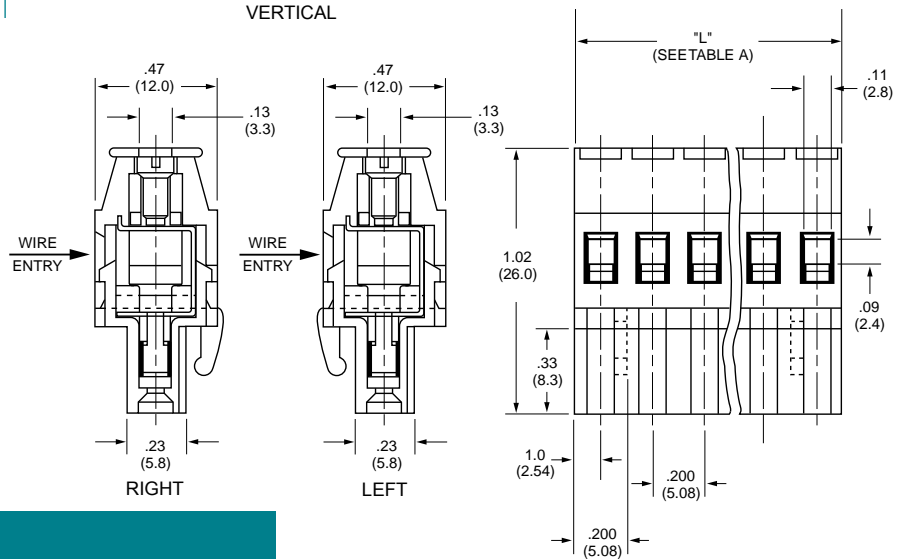
| Position | L (mm) | Position | L (mm) |
|----------|--------|----------|--------|
| 02 | 10.16 | 14 | 71.12 |
| 03 | 15.24 | 15 | 76.20 |
| 04 | 20.32 | 16 | 81.28 |
| 05 | 25.40 | 17 | 86.36 |
| 06 | 30.48 | 18 | 91.44 |
| 07 | 35.56 | 19 | 96.52 |
| 08 | 40.64 | 20 | 101.60 |
| 09 | 45.72 | 21 | 106.68 |
| 10 | 50.80 | 22 | 111.76 |
| 11 | 55.88 | 23 | 116.84 |
| 12 | 60.96 | 24 | 121.92 |
| 13 | 66.04 | | |

To convert to inches, divide by 25.4

EM2565 Series
HORIZONTAL



VERTICAL



Part Numbering System

| Series | # of Positions | Orientation | Wire Entry (Vertical Only) |
|--------|----------------|--------------------------------|----------------------------|
| EM2565 | nn | n | n |
| | 02 to 24 | H - horizontal V - vertical | L - left R - right |