

SERIES 30
SPST, 1 and 5 Amp

FEATURES

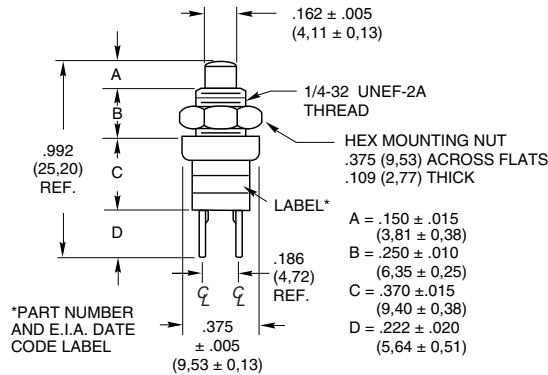
- Reliable
- Economical
- Large Selection
- UL Recognized
- CSA Certified
- Sealed Bushing and Pushbutton Option



DIMENSIONS In Inches (and millimeters)

Normally Open-SPST Standard, Economy and UL Recognized

- 30-1
- 30-1UL
- 30-3
- 30-3UL
- 30-601*



Standard

Rating at 115 Vac Resistive	Rating at 220 Vac Resistive	Operations at Rated Load	Part Number	Button Color
1 Amp	0.5 Amp	1,000,000	30-1 30-3	Red Black
Action	Total Travel	Actuating Force (oz.)	Mtg. Hole	
Momentary	$.062 \pm .010$ $(1,57 \pm 0,25)$	10 ± 4	$17/64"$ $(6,75)$	

Economy Version

Electrical Ratings	Operations at Rated Load	*Complete Part Number	Button Color
At 5 Vdc 150 mA At 20 Vdc 20 mA	1,000,000	30-601 RED 30-601 BLK	Red Black
Action	Total Travel	Actuating Force (oz.)	Mtg. Hole
Momentary	$.062 \pm .010$ $(1,57 \pm 0,25)$	10 ± 4	$17/64"$ $(6,75)$

UL Recognized

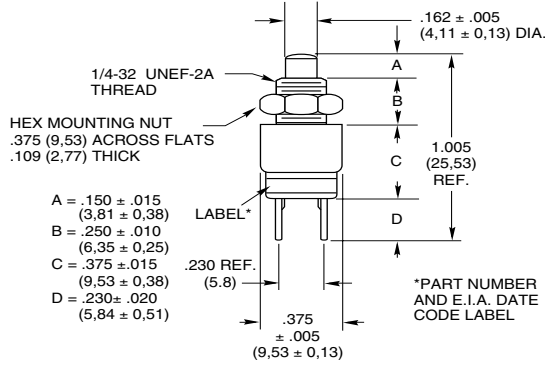
Rating at 120 Vac Resistive	Rating at 220 Vac Resistive	Operations at Rated Load	Part Number	Button Color
5 Amp	2.5 Amp	6,000	30-1UL 30-3UL	Red Black
Action	Total Travel	Actuating Force (oz.)	Mtg. Hole	
Momentary	$.062 \pm .010$ $(1,57 \pm 0,25)$	10 ± 4	$17/64"$ $(6,75)$	

Pushbutton Switches

DIMENSIONS In Inches (and millimeters)

Normally Closed-SPST and UL Recognized

30-2
30-2UL
30-6
30-6UL



Normally Closed-SPST

Rating at 115 Vac Resistive	Rating at 220 Vac Resistive	Operations at Rated Load	Part Number	Button Color
1 Amp	1/2 Amp	1,000,000	30-2 30-6	Black Red

Action	Total Travel	Actuating Force (oz.)	Mtg. Hole
Momentary	.065 + .010 / - .015 (1,65 + 0,25 / - 0,38)	8 ± 4	17/64" (6,75)

UL Recognized

Rating at 120 Vac Resistive	Rating at 220 Vac Resistive	Operations at Rated Load	Part Number	Button Color
5 Amp	—	6,000	30-2UL 30-6UL	Black Red

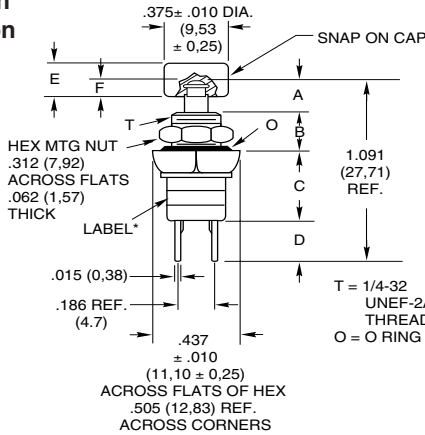
Action	Total Travel	Actuating Force (oz.)	Mtg. Hole
Momentary	.065 + .010 / - .015 (1,65 + 0,25 / - 0,38)	8 ± 4	17/64" (6,75)

Pushbutton Switches

Normally Open-SPST With Sealed Bushing and Button

30-251*

A = .209 ± .015 (5,31 ± 0,38)
B = .250 ± .010 (6,35 ± 0,25)
C = .410 ± .015 (10,41 ± 0,38)
D = .222 ± .020 (5,64 ± 0,51)
E = .187 ± .010 (4,75 ± 0,25)
F = .100 ± .010 (2,54 ± 0,25)



*PART NUMBER AND E.I.A. DATE CODE LABEL

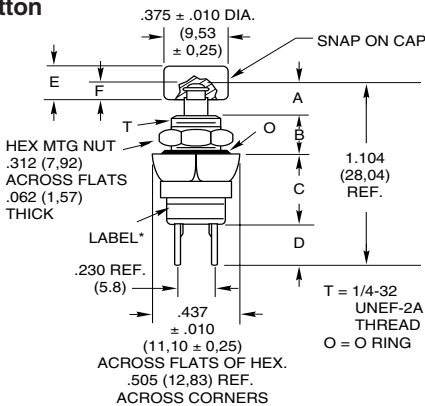
Rating at 115 Vac Resistive	Rating at 220 Vac Resistive	Operations at Rated Load	*Complete Part Number	Button Color
1 Amp	1/2 Amp	250,000	30-251 RED 30-251 BLK	Red Black

Action	Total Travel	Actuating Force (oz.)	Mtg. Hole
Momentary	.062 ± .020 (1,57 ± 0,51)	30 ± 8	17/64" (6,75)

Normally Closed-SPST With Sealed Bushing and Button

30-252*

A = .209 ± .015 (5,31 ± 0,38)
B = .250 ± .010 (6,35 ± 0,25)
C = .415 ± .015 (10,54 ± 0,38)
D = .230 ± .015 (5,84 ± 0,38)
E = .187 ± .010 (4,75 ± 0,25)
F = .100 ± .010 (2,54 ± 0,25)



*PART NUMBER AND E.I.A. DATE CODE LABEL

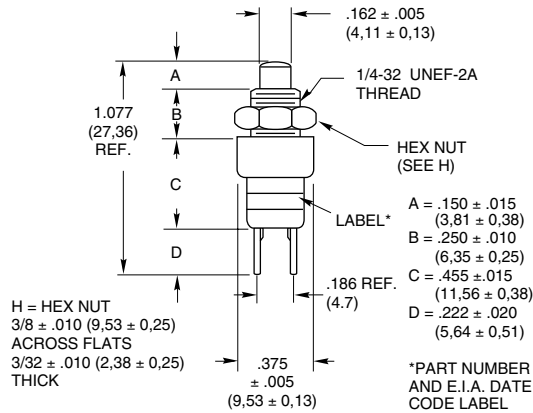
Rating at 115 Vac Resistive	Rating at 220 Vac Resistive	Operations at Rated Load	*Complete Part Number	Button Color
1 Amp	1/2 Amp	250,000	30-252 RED 30-252 BLK	Red Black

Action	Total Travel	Actuating Force (oz.)	Mtg. Hole
Momentary	.065 ± .010 (1,65 ± 0,25)	12 ± 4	17/64" (6,75)

DIMENSIONS In Inches (and millimeters)

Normally Open-SPST With Overtravel

30-15
30-37

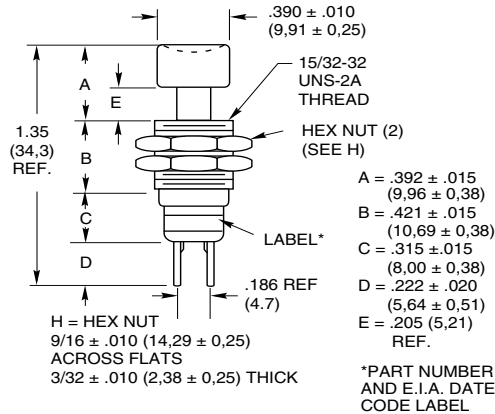


Rating at 115 Vac Resistive	Rating at 220 Vac Resistive	Operations at Rated Load	Part Number	Button Color
1 Amp	1/2 Amp	500,000	30-15 30-37	Red Black

Action	Total Travel	Actuating Force (oz.)	Mtg. Hole
Momentary .020" Overtravel	$.125 + .020 / - .010$ (3,18 + 0,51 / - 0,25)	8 ± 4	17/64" (6,75)

Normally Open-SPST With Positive Feel

30-17*

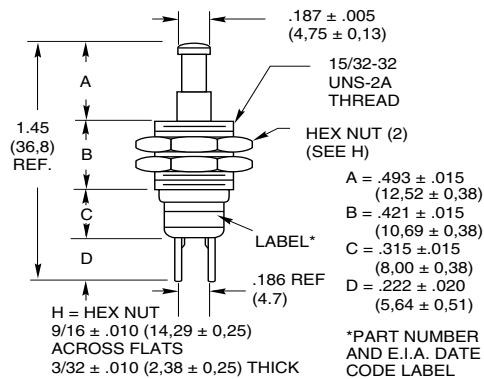


Rating at 115 Vac Resistive	Rating at 220 Vac Resistive	Operations at Rated Load	*Complete Part Number	Button Color
1 Amp	1/2 Amp	200,000	30-17 RED 30-17 BLK	Red Black

Action	Total Travel	Over Travel	Actuating Force (oz.)	Mtg. Hole
Momentary Pos. Feel	$.156 \pm .015$ (3,96 ± 0,38)	$.046$ (1,17) Min.	18 ± 4	31/64" (12,30)

Normally Open-SPST With Push-Pull

30-16*



Rating at 115 Vac Resistive	Rating at 220 Vac Resistive	Operations at Rated Load	*Complete Part Number	Button Color
1 Amp	1/2 Amp	100,000	30-16 RED 30-16 BLK	Red Black

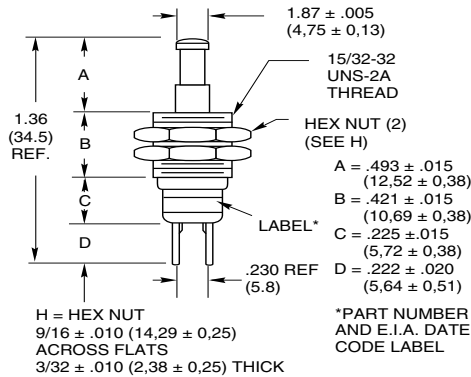
Action	Total Travel	Actuating Force (oz.)	Mtg. Hole
Push-to-Make	$.145 \pm .015$ (3,68 ± 0,38)	56 ± 16	31/64" (12,30)

Pushbutton Switches

DIMENSIONS In Inches (and millimeters)

Normally Closed-SPST With Push-Pull

30-32



Rating at 115 Vac Resistive	Rating at 220 Vac Resistive	Operations at Rated Load	Part Number	Button Color
1 Amp	1/2 Amp	100,000	30-32 RED 30-32 BLK	Red Black

Action	Total Travel	Actuating Force (oz.)	Mtg. Hole
Pull-to-Make	.145 ± .015 (3,68 ± 0,38)	56 ± 16	31/64" (12,30)

SPECIFICATIONS

Rating Criteria

For UL recognized switches, see individual switch chart. File number is E35289.

Contact Resistance: 25 milliohms maximum on a new switch

Voltage Breakdown: 1,000 Vac between mutually insulated parts

Insulation Resistance: 1,000 megohms minimum

Operating Temperature: -40° to +85°C

Mounting Torque: 2 inch-pounds

Switch Materials and Finishes

Mounting Nut and Cover Bushing: Brass, tin zinc

Base: Thermoset plastic

Button: Polyester for 30-16 and 30-32; Phenolic for 30-17, 30-1UL, 30-2, 30-2UL, 30-3UL, 30-6 and 30-6UL; Polycarbonate for all others.

Shorting Bar: Brass with gold over nickel plating for 30-601; brass with fine silver contact surface for all others.

Terminals: Brass with gold over nickel plating for 30-601; commercial brass with fine silver contact surface and silver-plated for all others.

Spring: Tinned music wire

Button Cap: Nylon for 30-17; Polyethylene for 30-251 and 30-252.

Detent Balls: Carbon steel, nickel-plated

Terminal Type: Solder lug

O-Ring Seal: (30-251, 30-252) Nitrile per MIL-P-5516

ACCESSORIES



Decorative Mounting Nuts

Part Number 30C1023-1 is made for switches with 1/4" (6,35) inch diameter bushings. It may be used with the following Series 30 switches: 30-1, 30-1 UL, 30-2, 30-2 UL, 30-3, 30-6, 30-15, 30-37, 30-251 BLK, 30-251 RED, 30-252 BLK, 30-252 RED, 30-601 BLK and 30-601 RED.

Part Number 07C1040-1 is made for switches with 15/32" (11,91) inch diameter bushings. It may be used with the following Series 30 switches: 30-16 BLK, 30-16 RED, 30-17 BLK, 30-17 RED, 30-32 BLK and 30-32 RED.

For the dimensions, materials and finishes of these decorative mounting nuts, see page E-36.

Button Cap and Guard

The button cap is available in 3 colors: part number 30B1012-5 is red; part number 30B1012-8 is white; and part number 30B1012-9 is black. It may be fastened to the button with adhesive. It may be used with the following Series 30 switches: 30-1, 30-1UL, 30-2, 30-2UL, 30-3, 30-3UL, 30-15, 30-37, 30-601 BLK, and 30-601 RED.

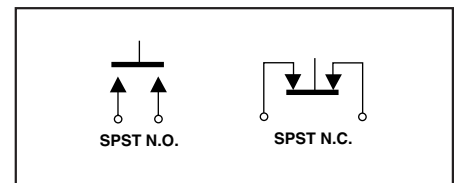
The button guard, part number 10C1015-1 is made to be used with 15/32" (11,91) inch diameter switches to prevent unintentional actuation. It may be used with the following Series 30 switches: 30-16 BLK, 30-16 RED, 30-17 BLK, 30-17 RED, 30-32 BLK, and 30-32 RED.

For the dimensions, materials and finishes of the button cap and guard, see page E-36.

STANDARD OPTIONS

Decorative mountings, see pages E-24 to E-26.

CIRCUITRY



ORDERING INFORMATION

Part Number	Description and Button Color
30-1*	N.O., Standard, Red
30-2*	N.C., Standard, Black
30-3*	N.O., Black
30-6*	N.C., Red
30-15	N.O., Overtravel, Red
30-16 BLK	Push to Make, Black
30-16 RED	Push to Make, Red
30-17 BLK	N.O., Positive Feel, Black
30-17 RED	N.O., Positive Feel, Red
30-32 BLK	Pull to Make, Black
30-32 RED	Pull to Make, Red
30-37 BLK	N.O., Overtravel, Black
30-251 BLK	N.O., Sealed, Black
30-251 RED	N.O., Sealed, Red
30-252 BLK	N.C., Sealed, Black
30-252 RED	N.C., Sealed, Red
30-601 BLK	N.O., Economy, Black
30-601 RED	N.O., Economy, Red

Accessory Part Number	Description
30B1012-5	Accessory Cap, Red
30B1012-8	Accessory Cap, White
30B1012-9	Accessory Cap, Black
30C1023-1	Accessory Nut
07C1040-1	Accessory Nut
10C1015-1	Button Guard

*Add "UL" suffix to part number for UL recognized switches.

Available from your local Grayhill Distributor. For prices and discounts, contact a local Sales Office, an authorized local Distributor or Grayhill.