



# Dual Relays

25-40Amp • 120/240, 480 Vac • AC Output

- Zero Voltage and Random Turn-On Switching
- SCR Output
- Industry Standard Package
- Panel Mount

Two totally independent AC output relays come in a single standard panel-mount package. Utilizing an AC switch output with internal snubber, relays provide greater protection against false triggering. Model choices include zero-voltage or random turn-on (phase controllable) switching.

Manufactured in Crydom's ISO 9002 Certified facility for optimum product performance and reliability.

MODEL NUMBERS	D2425D	D2440D	H12D4825D	H12D4840D
<b>OUTPUT SPECIFICATIONS ①</b>				
Operating Voltage (47-63 Hz) [Vrms]	24-280	24-280	48-530	48-530
Load Current Range ③ [Arms]	.15-25	.15-40	.15-25	.15-40
Transient Overvoltage [Vpk]	600	600	1200	1200
Max. Surge Current, (16.6ms) [Apk]	250	625	250	625
Max. On-State Voltage Drop @Rated Current [Vpk]	1.6	1.6	1.6	1.6
Thermal Resistance Junction to Case (R <sub>θJC</sub> ) [°CW] ①	1.02	.63	1.02	.63
Maximum I <sup>2</sup> t for Fusing, (8.3 msec.) [A <sup>2</sup> sec]	260	1620	260	1620
Max. Off-State Leakage Current @Rated Voltage [mArms]	10	10	10	10
Min. Off-State dv/dt @Max. Rated Voltage [V/μsec] ②	500	500	500	500
Max. Turn-On Time ④	1/2 cycle	1/2 cycle	1/2 cycle	1/2 cycle
Max. Turn-Off Time	1/2 cycle	1/2 cycle	1/2 cycle	1/2 cycle
Power Factor (Min.) with Max. Load	0.5	0.5	0.5	0.5

## INPUT SPECIFICATIONS ①

Control Voltage Range	4-15Vdc
Max. Turn-On Voltage	4.0 Vdc
Min. Turn-Off Voltage	1.0 Vdc
Nominal Input Impedance	330 Ohms
Typical Input Current @5Vdc	12mA

## DC CONTROL

## GENERAL NOTES

©1998 CRYDOM CORP, Specifications subject to change without notice.

- ① All parameters at 25°C and per section unless otherwise specified.
- ② Off-State dv/dt test method per EIA/NARM standard RS443, paragraph 13.11.1
- ③ Heat sinking required, for derating curves see page 2.
- ④ Turn-on time for random turn-on (-10) versions is 0.1 msec.

**Crydom Heat Sinks** offer excellent thermal management and are perfectly matched to the load current ratings of Crydom panel mount relays. Request Crydom's Heat Sink specification sheet for all the details.

For recommended applications and more information contact:

**USA:** (800) 8 CRYDOM • (800) 827-9366 • (619) 715-7200 • fax (619) 715-7280  
Crydom Corp, 9525 Chesapeake Drive, San Diego, CA 92123 • e-mail: sales@crydom.com  
**WEB SITE:** http://www.crydom.com **FASTFAX Product Information:** (888) 267-9191  
**UK:** (44)1202 812300 • fax (44)1202 812340 Crydom International Ltd., 85, Condor Close,  
Woolbridge Industrial Estate, Three-Legged Cross, Wimborne, Dorset, England BH21 6SU  
**GERMANY:** (49) (0)6874 182580 • fax (49)(0)6874 182585 Crydom GmbH,  
Gewerbegebiet Im Schachen, D-66687 Nunkirchen, Germany • e-mail: vertrieb@crydom.com





# Dual Relays

25-40Amp • 120/240, 480 Vac • AC Output

## GENERAL SPECIFICATIONS

Dielectric Strength 50/60Hz Input/Output/Base	4000 Vrms
Insulation Resistance (Min.) @500 Vdc	10 <sup>9</sup> Ohm
Max. Capacitance Input/Output	10 pF
Ambient Operating Temperature Range	-40 to 80°C
Ambient Storage Temperature Range	-40 to 125°C

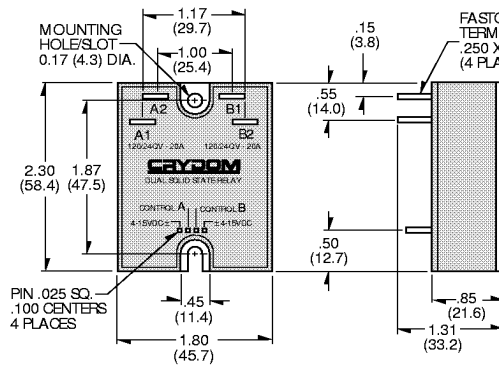
## MECHANICAL SPECIFICATIONS

Weight: (typical)	3.0 oz. (86.5g)
Encapsulation:	Thermally Conductive Epoxy
Terminals:	.25" Fastons, .025" Square Pins

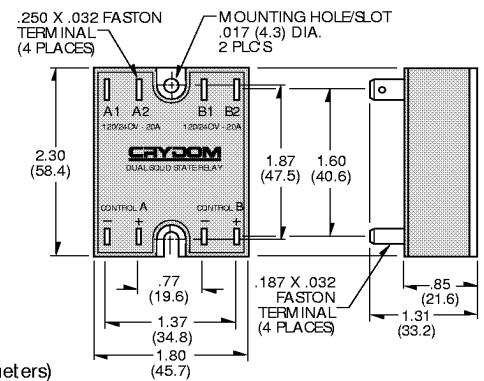
### AVAILABLE OPTIONS

- 10 Random Turn-On, Phase Controllable (240V Only)  
Example: **D2440D-10**

### 120/240V MODEL



### 480V MODEL

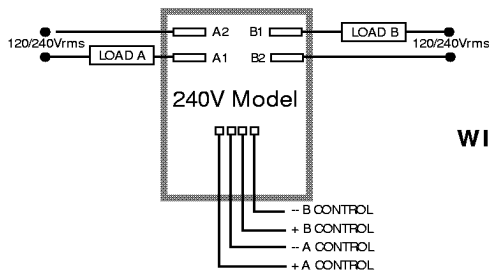
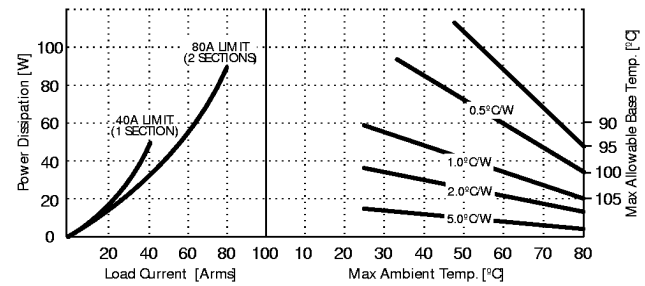
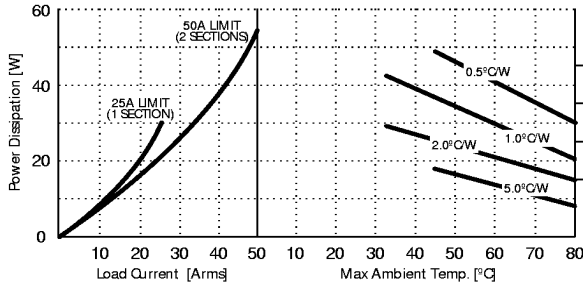


All dimensions are in inches (millimeters)

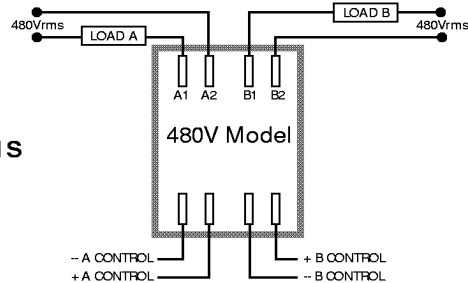
### 25A

### CURRENT DERATING CURVES

### 40A



### WIRING DIAGRAMS



©1998 CRYDOM CORP. Specifications subject to change without notice.

### APPROVALS

UL E116949  
CSA LR81689 (240V only)  
VDE 5902 UG



FastFax Document No. 165  
DUAL.032698, PAGE 2 OF 2

For recommended applications and more information contact:

**USA:** (800) 8 CRYDOM • (800) 827-9366 • (619) 715-7200 • fax (619) 715-7280  
Crydom Corp, 9525 Chesapeake Drive, San Diego, CA 92123 • e-mail: sales@crydom.com  
**WEB SITE:** http://www.crydom.com **FASTFAX Product Information:** (888) 267-9191  
**UK:** (44)1202 812300 • fax (44)1202 812340 Crydom International Ltd., 85, Condor Close, Woolsbridge Industrial Estate, Three-Legged Cross, Wimborne, Dorset, England BH21 6SU  
**GERMANY:** (49) (0)6874 182580 • fax (49)(0)6874 182585 Crydom GmbH, Gewerbegebiet Im Schachen, D-66687 Nunkirchen, Germany • e-mail: Vertrieb@crydom.com

