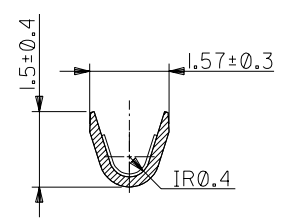
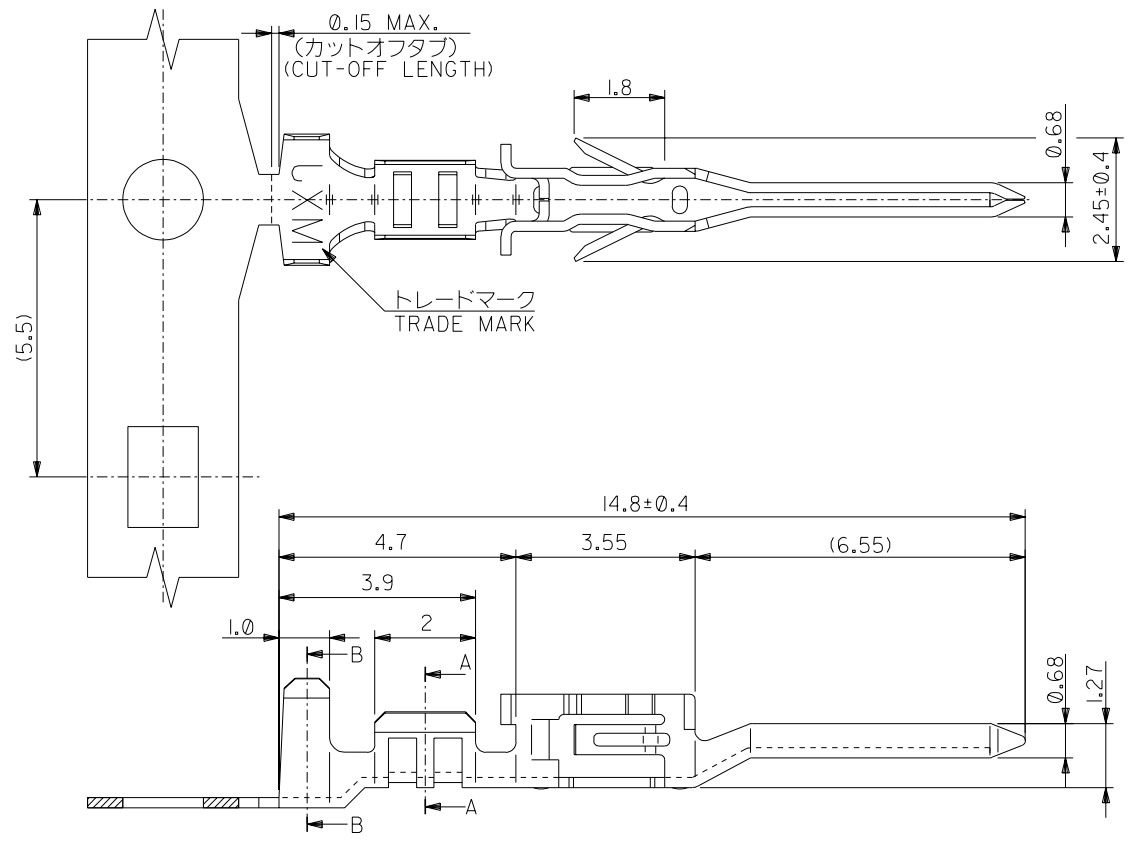
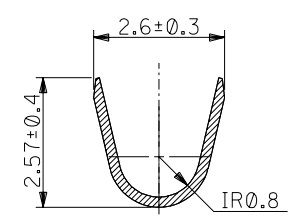


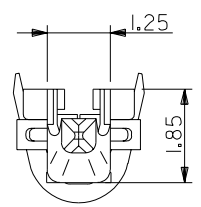
DWG. NO.  
SD-56116-001



SECTION A-A



SECTION B-B



注記  
NOTES

- 材質  
MATERIAL  
りん青銅 (板厚: 0.2)  
PHOSPHOR BRONZE (THICKNESS: 0.2)
- メッキ仕様  
TERMINAL PLATING  
接点部: 金メッキ 0.25 μm MIN.  
CONTACT AREA: GOLD 0.25 μm MIN.  
圧着部: 半田メッキ 1.0 μm MIN.  
CRIMP AREA: TIN-LEAD 1.0 μm MIN.  
下地メッキ: ニッケルメッキ 2 μm MIN.  
UNDER PLATE: NICKEL 2 μm MIN.
- 適用電線: UL 1007, AWG #24~28  
APPLICABLE WIRE RANGE: UL1007, AWG #24~28
- 被覆外径: φ1.6 MAX.  
INSULATION EXTERNAL DIA: φ1.6 MAX.
- 適用ハウジング: 51233-\*\*\*\*, 51234-\*\*\*\*  
APPLICABLE HOUSING: 51233-\*\*\*\*, 51234-\*\*\*\*

バラ状 LOOSE	56116-8390	56116-8***
連鎖状 CHAIN	56116-8290	
端子形状 TERMINAL CONFIGURATION	MATERIAL No.	MODEL No.

DO NOT SCALE DRAWING

EC NO. DRWN: CHK: APPR:	EC NO. DRWN: CHK: APPR:	EC NO. DRWN: CHK: APPR:	EC NO. DRWN: CHK: APPR:	EC NO. DRWN: CHK: APPR:	RELEASED/03/06/20 EC NO. J2003-3238 DRWN: S.AKIYAMA CHK: J.MIYAZAWA APPR: YO.ITO	MATERIAL 材料 注記参照 SEE NOTES	GENERAL TOLERANCES: (UNLESS SPECIFIED) 一般公差	SCALE	DESIGN UNITS mm □ INCH	THIRD ANGLE PROJECTION	DIMENSIONS: mm □ INCH □ mm ONLY	SHT REVISE ON CAD ONLY	REV
						FINISH 仕上げ —	10 UNDER 未満 ±0.2	DRAWN BY & DATE S. Akiyama 03/01/29	□ mm □ INCH	◎	mm ONLY		
						WIRE RANGE 適用電線範囲 —	10 OVER 30 UNDER 未満 ±0.25	CHECKED BY & DATE J. Nagawa	□ mm □ INCH	◎	mm ONLY		
						INS. RANGE 被覆外径 —	30 OVER 以上 ±0.3	APPROVED BY & DATE Y. Ito	□ mm □ INCH	◎	mm ONLY		
							ANGLE 角度 ±3°	CAD FILENAME SD-56116-001.S01	□ mm □ INCH	◎	mm ONLY		
								TITLE: COMPACT ROBOT CONN. (CRC) CRIMP PIN (SEQUENTIAL TYPE)	□ mm □ INCH	◎	mm ONLY		
								MOLEX MOLEX INCORPORATED	□ mm □ INCH	◎	mm ONLY		
								MATERIAL NO. SEE CHART	□ mm □ INCH	◎	mm ONLY		
								DRAWING NO. SD-56116-001	□ mm □ INCH	◎	mm ONLY		
								SHEET NO. 1 OF 1	□ mm □ INCH	◎	mm ONLY		
								THIS DRAWING CONTAINS INFORMATION THAT IS PROPRIETARY TO MOLEX INCORPORATED AND SHOULD NOT BE USED WITHOUT WRITTEN PERMISSION.	□ mm □ INCH	◎	mm ONLY		
								SIZE B	□ mm □ INCH	◎	mm ONLY		