

## FEATURES AND SPECIFICATIONS

### Features and Benefits

- Fully shrouded to protect pins during mating/unmating
- Polarizing slots guide front ribs of mating connector to prevent pin damage
- Latch window retains positive lock after mating
- Press-fit peg provides additional retention to PCB during soldering

### Reference Information

Product Specification: PSX-71349

Packaging Type: Tube

Mates with: C-Grid Receptacles, 70013 Version B interim clip and 70450A crimp housing

Designed in: Inches

### Electrical

Electrical Voltage: 250V

Current: 3.0A

Contact Resistance: 15mΩ max.

Dielectric Withstanding Voltage: 1500V

Insulation Resistance: 1000 MΩ min.

### Mechanical

Contact Retention to Housing: 17.79N (4 lb.)

Durability: Tin/Lead—25 cycles

Gold—50 cycles

### Physical

Physical Housing: Black glass-filled LCP, UL 94V-0

Contact: Phosphor Bronze

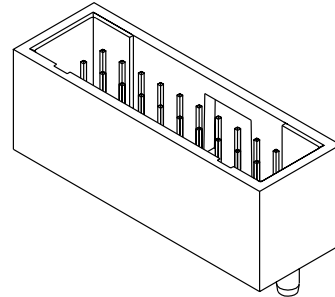
Plating: See Table

Operating Temperature: -40 to +105°C

# molex® 2.54 (.100") Pitch C-Grid® Shrouded Header

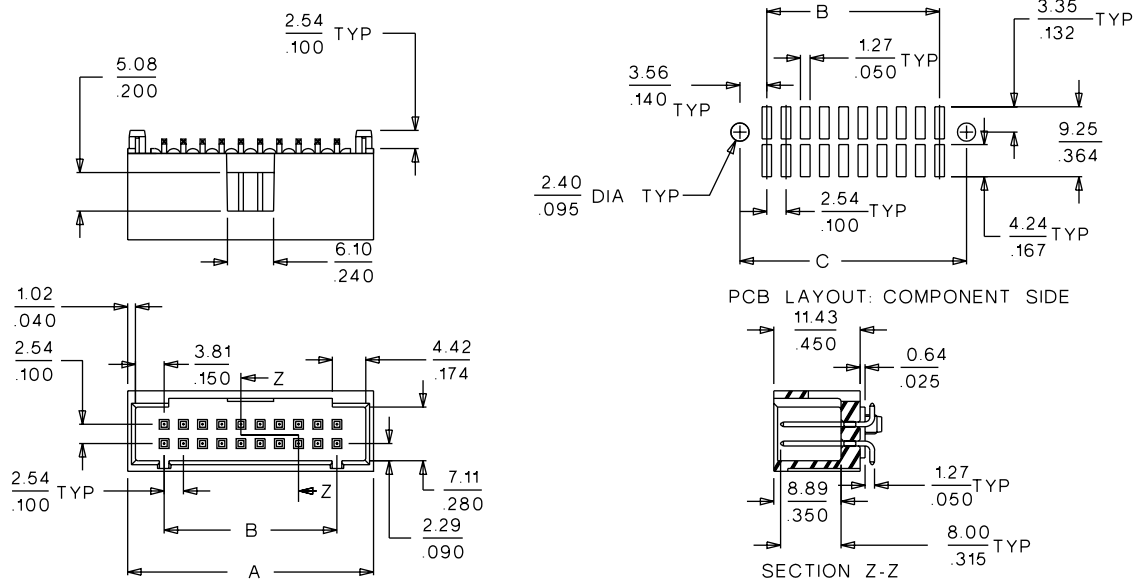
## 71349

## Dual Row, SMT Vertical With Pegs



2.54mm (.100") Pitch

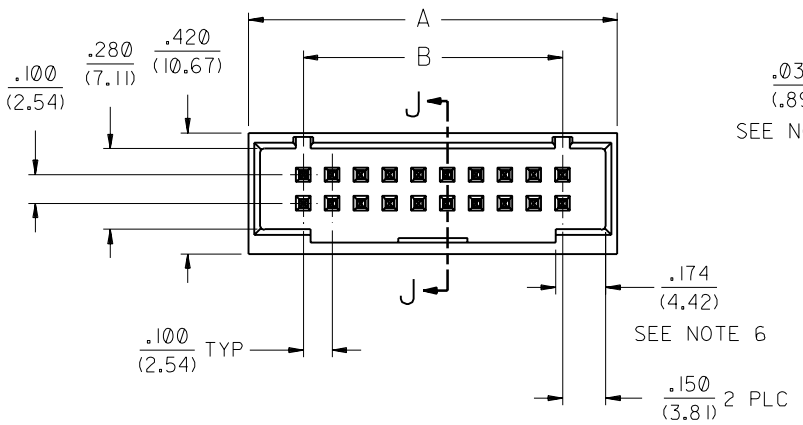
## CATALOG DRAWING (FOR REFERENCE ONLY)



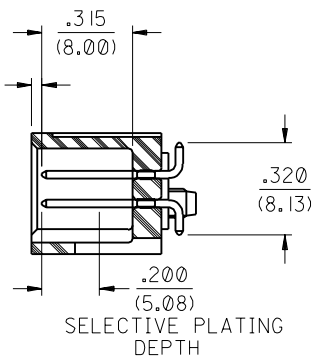
## ORDERING INFORMATION AND DIMENSIONS

Circuits	Order No.			Dimension		
	150 Tin/Lead	15 Min. Gold	30 Min. Gold	A	B	C
6	71349-2001	71349-2035	71349-2069	14.73 (.580)	5.08 (.200)	12.19 (.480)
8	71349-2002	71349-2036	71349-2070	17.27 (.680)	7.62 (.300)	14.73 (.580)
10	71349-2003	71349-2037	71349-2071	19.81 (.780)	10.16 (.400)	17.27 (.680)
12	71349-2004	71349-2038	71349-2072	22.35 (.880)	12.70 (.500)	19.81 (.780)
14	71349-2005	71349-2039	71349-2073	24.89 (.980)	15.24 (.600)	22.35 (.880)
16	71349-2006	71349-2040	71349-2074	27.43 (1.080)	17.78 (.700)	24.89 (.980)
18	71349-2007	71349-2041	71349-2075	29.97 (1.180)	20.32 (.800)	27.43 (1.080)
20	71349-2008	71349-2042	71349-2076	32.51 (1.280)	22.86 (.900)	29.97 (1.180)
22	71349-2009	71349-2043	71349-2077	35.05 (1.380)	25.40 (1.000)	32.51 (1.280)
24	71349-2010	71349-2044	71349-2078	37.59 (1.480)	27.94 (1.100)	35.05 (1.380)
26	71349-2011	71349-2045	71349-2079	40.13 (1.580)	30.48 (1.200)	37.59 (1.480)
28	71349-2012	71349-2046	71349-2080	42.67 (1.680)	33.02 (1.300)	40.13 (1.580)
30	71349-2013	71349-2047	71349-2081	45.21 (1.780)	35.56 (1.400)	42.67 (1.680)
32	71349-2014	71349-2048	71349-2082	47.75 (1.880)	38.10 (1.500)	45.21 (1.780)
34	71349-2015	71349-2049	71349-2083	50.29 (1.980)	40.64 (1.600)	47.75 (1.880)
36	71349-2016	71349-2050	71349-2084	52.83 (2.080)	43.18 (1.700)	50.29 (1.980)
38	71349-2017	71349-2051	71349-2085	55.37 (2.180)	45.72 (1.800)	52.83 (2.080)

Circuits	Order No.			Dimension		
	150 Tin/Lead	15 Min. Gold	30 Min. Gold	A	B	C
40	71349-2018	71349-2052	71349-2086	57.91 (2.280)	48.26 (1.900)	55.37 (2.180)
42	71349-2019	71349-2053	71349-2087	60.45 (2.380)	50.80 (2.000)	57.91 (2.280)
44	71349-2020	71349-2054	71349-2088	62.99 (2.480)	53.34 (2.100)	60.45 (2.380)
46	71349-2021	71349-2055	71349-2089	65.53 (2.580)	55.88 (2.200)	62.99 (2.480)
48	71349-2022	71349-2056	71349-2090	68.07 (2.680)	58.42 (2.300)	65.53 (2.580)
50	71349-2023	71349-2057	71349-2091	70.61 (2.780)	60.96 (2.400)	68.07 (2.680)
52	71349-2024	71349-2058	71349-2092	73.15 (2.880)	63.50 (2.500)	70.61 (2.780)
54	71349-2025	71349-2059	71349-2093	75.69 (2.980)	66.04 (2.600)	73.15 (2.880)
56	71349-2026	71349-2060	71349-2094	78.23 (3.080)	68.58 (2.700)	75.69 (2.980)
58	71349-2027	71349-2061	71349-2095	80.77 (3.180)	71.12 (2.800)	78.23 (3.080)
60	71349-2028	71349-2062	71349-2096	83.31 (3.280)	73.66 (2.900)	80.77 (3.180)
62	71349-2029	71349-2063	71349-2097	85.85 (3.380)	76.20 (3.000)	83.31 (3.280)
64	71349-2030	71349-2064	71349-2098	88.39 (3.480)	78.74 (3.100)	85.85 (3.380)
66	71349-2031	71349-2065	71349-2099	90.93 (3.580)	81.28 (3.200)	88.39 (3.480)
68	71349-2032	71349-2066	71349-2100	93.47 (3.680)	83.82 (3.300)	90.93 (3.580)
70	71349-2033	71349-2067	71349-2101	96.01 (3.780)	86.36 (3.400)	93.47 (3.680)
72	71349-2034	71349-2068	71349-2102	98.55 (3.880)	88.90 (3.500)	96.01 (3.780)

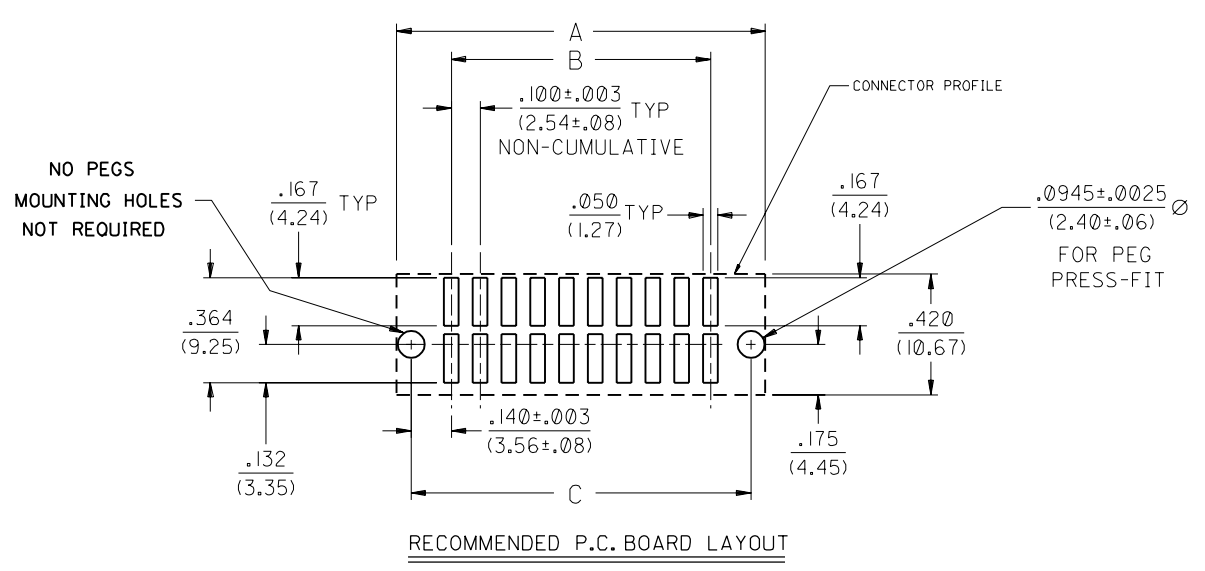
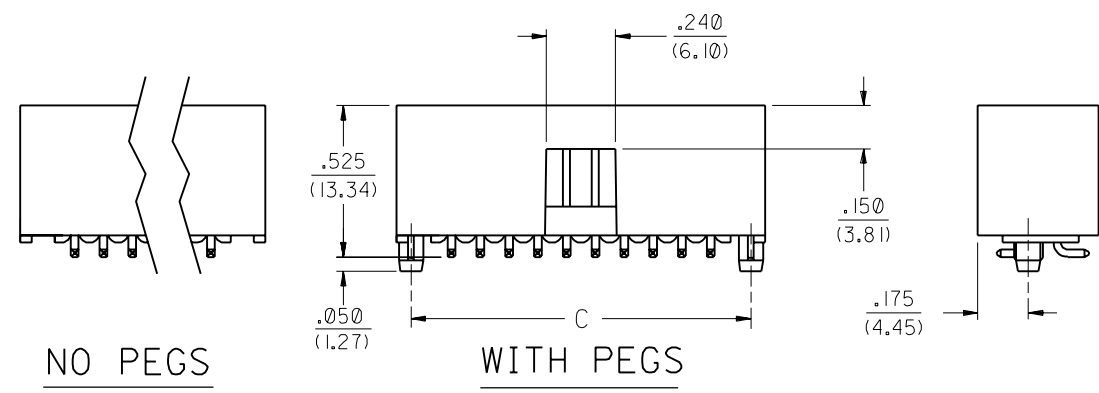


.035 REF  
(.89)  
SEE NOTE 5



**NOTES:**

- MATERIALS:  
SHROUDED WAFER: LCP, COLOR: BLACK, 94V-0  
PINS: PHOS. BRONZE
- PLATING FINISHES FOR PINS:  
CODE:  
164: .000150 MIN. TIN/LEAD  
OVER .000050 MIN. NICKEL.  
571: .000015 MIN. GOLD PLATE IN SELECTED AREA AND  
.000075 MIN. TIN/LEAD IN SELECTED AREA  
OVER .000050 MIN. NICKEL OVER-ALL.  
574: .000030 MIN. GOLD PLATE IN SELECTED AREA AND  
.000075 MIN. TIN/LEAD IN SELECTED AREA  
OVER .000050 MIN. NICKEL OVER-ALL.
- PIN SMT TAILS MUST MEET SOLDERABILITY PER MIL-STD-202, METHOD 208B.
- PIN PUSHOUT FORCE 4 LBS/(17.79N) MIN.
- ROW TO ROW PIN HEIGHT VARIATION MUST NOT EXCEED .005/(0.13).
- THIS SHOULDER IS .125/(3.18) FOR 6 CIRCUIT ONLY. ALL OTHER CIRCUIT SIZES .174/(4.42).
- 20 CIRCUIT SIZE SHOWN FOR ILLUSTRATION PURPOSES.
- PRODUCT CONFORMS TO PS-71349-001.
- SEE SHEETS 3 AND 4 FOR PACKAGING DETAILS.
- PRODUCT MATES TO 70013B (6 TO 50 CKTS).



HI	CORRECT PART #S ECN# UDT2002-0716 RSFOX 01/11/09
H	ADD -4091 ECN# UDT2002-0597 CARIKCI 01/10/31
G	CHANGE PACKAGING ECN# UDT2002-0144 SCHAFER 01/11/27
F	ADD TAPE&REEL OPT. ECN# UDT2001-0541 ICARIKCI 00/11/13
E	6 & 8 CKT WINDOW ECN# UDT2000-0012 DMORGAN 99/07/02
D	SHORTENED PEG PER ECN# UDT1998-0012 MAGAUNE 98/2/25
CI	ADDED PART PER ECN# U70701 SCARTH 96/12/20
C	REDRAWN ECN# U7-0201 MCFARLAN 96-8-23
B	REMOVE ** STATUS PER EGR NO US0023 08-04-94 BJS
A	RELEASED PER U21577 92/10/26 RB

MFG. SH.	REV.	LTR.	REVISIONS
4	G	B	
3	HI		
2	C		
1	HI	A	

71349

UNLESS OTHERWISE SPECIFIED TOLERANCES ANGULAR ± 1/2°

INCH		METRIC	
3 PLACE	± .005	---	---
2 PLACE	± .01	± 0.13	---
1 PLACE	---	± 0.25	---

DRAFT WHERE APPLICABLE MUST REMAIN WITHIN DIMENSIONS

DRWG. NO. RB CHK'D. BY DJB  
APP'D. BY DJB SCALE 3 : 1

FILE NAME S71349X1.DGN

THIS DRAWING CONTAINS INFORMATION THAT IS PROPRIETARY TO MOLEX INC. AND SHOULD NOT BE USED WITHOUT WRITTEN PERMISSION.

MOLEX INCORPORATED  
115LEJLL 60532 U.S.A.

SHEET NO. 1 OF 4 DATE 92/10/26

SEE CHARTS SDA-71349-\*\*\*\*

DA 1 C

NO. OF CKTS	"A"		"B"		"C"	
	INCH ±.005	MM ±.13	INCH ±.003	MM ±.08	INCH ±.003	MM ±.08
06	.580	14.73	.200	5.08	.480	12.19
08	.680	17.27	.300	7.62	.580	14.73
10	.780	19.81	.400	10.16	.680	17.27
12	.880	22.35	.500	12.70	.780	19.81
14	.980	24.89	.600	15.24	.880	22.35
16	1.080	27.43	.700	17.78	.980	24.89
18	1.180	29.97	.800	20.32	1.080	27.43
20	1.280	32.51	.900	22.86	1.180	29.97
22	1.380	35.05	1.000	25.40	1.280	32.51
24	1.480	37.59	1.100	27.94	1.380	35.05
26	1.580	40.13	1.200	30.48	1.480	37.59
28	1.680	42.67	1.300	33.02	1.580	40.13
30	1.780	45.21	1.400	35.56	1.680	42.67
32	1.880	47.75	1.500	38.10	1.780	45.21
34	1.980	50.29	1.600	40.64	1.880	47.75
36	2.080	52.83	1.700	43.18	1.980	50.29
38	2.180	55.37	1.800	45.72	2.080	52.83
40	2.280	57.91	1.900	48.26	2.180	55.37
42	2.380	60.45	2.000	50.80	2.280	57.91
44	2.480	62.99	2.100	53.34	2.380	60.45
46	2.580	65.53	2.200	55.88	2.480	62.99
48	2.680	68.07	2.300	58.42	2.580	65.53
50	2.780	70.61	2.400	60.96	2.680	68.07
52	2.880	73.15	2.500	63.50	2.780	70.61
54	2.980	75.69	2.600	66.04	2.880	73.15
56	3.080	78.23	2.700	68.58	2.980	75.69
58	3.180	80.77	2.800	71.12	3.080	78.23
60	3.280	83.31	2.900	73.66	3.180	80.77
62	3.380	85.85	3.000	76.20	3.280	83.31
64	3.480	88.39	3.100	78.74	3.380	85.85
66	3.580	90.93	3.200	81.28	3.480	88.39
68	3.680	93.47	3.300	83.82	3.580	90.93
70	3.780	96.01	3.400	86.36	3.680	93.47
72	3.880	98.55	3.500	88.90	3.780	96.01

71349

C	SEE SHEET I
B	SEE SHEET I
A	SEE SHEET I

MFG. SH.	REV.	LTR.	REVISIONS
----------	------	------	-----------

DIMENSIONS SHOWN (METRIC) INCH  
UNLESS OTHERWISE SPECIFIED  
TOLERANCES ANGULAR ± 1/2°

3 PLACE	±	--	--
2 PLACE	±	--	± --
1 PLACE	--	±	--

DRAFT WHERE APPLICABLE MUST REMAIN WITHIN DIMENSIONS

DRWG. BY: WGM CHK'D BY: DJB  
APP'D BY: DJB SCALE: N : A

FILE NAME: S71349X2  
THIS DRAWING CONTAINS INFORMATION THAT IS PROPRIETARY TO MOLEX INC. AND SHOULD NOT BE USED WITHOUT WRITTEN PERMISSION.

TITLE: WAFER-4 SIDES SHROUDED, HIGH TEMP, .150 END WALL, POLAR SLOTS, .100 GRID, SURFACE MOUNT

FROM: MOLEX INCORPORATED U.S.A.  
L15LEJLL 60532

PART NO. DRWG. NO. SDA-71349-\*\*\*\*

SHEET NO. DATE: 2 6/10/96

SIZE: DA C

WITH PEGS

WITHOUT PEGS

PLATING	164 TIN-LEAD			571 GOLD (15u")			574 GOLD (30u")			PLATING	164 TIN-LEAD			571 GOLD (15u")			574 GOLD (30u")		
	PACKAGING	TUBES PK-70873-0019	TAPE & REEL PK-71349-001	TUBES PK-70873-0019	TAPE & REEL PK-71349-001	TUBES PK-70873-0019	TAPE & REEL PK-71349-001	PACKAGING	TUBES PK-70873-0018		TAPE & REEL PK-71349-001	TUBES PK-70873-0018	TAPE & REEL PK-71349-001	TUBES PK-70873-0018	TAPE & REEL PK-71349-001				
NO. OF CKTS	ASSEMBLY ITEM NO.		ASSEMBLY ITEM NO.		ASSEMBLY ITEM NO.	ASSEMBLY ITEM NO.	NO. OF CKTS	ASSEMBLY ITEM NO.	ASSEMBLY ITEM NO.	ASSEMBLY ITEM NO.	ASSEMBLY ITEM NO.	ASSEMBLY ITEM NO.	ASSEMBLY ITEM NO.	ASSEMBLY ITEM NO.					
06	71349-2001		71349-2035		71349-2069		06	71349-1001		71349-1035		71349-1069							
08	71349-2002		71349-2036		71349-2070		08	71349-1002		71349-1036		71349-1070							
10	71349-2003	71349-6003	71349-2037	71349-8037	71349-2071	71349-4071	10	71349-1003	71349-9003	71349-1037	71349-5037	71349-1071	71349-7071						
12	71349-2004		71349-2038		71349-2072		12	71349-1004		71349-1038		71349-1072							
14	71349-2005		71349-2039		71349-2073		14	71349-1005		71349-1039		71349-1073							
16	71349-2006		71349-2040		71349-2074		16	71349-1006		71349-1040		71349-1074							
18	71349-2007		71349-2041		71349-2075		18	71349-1007		71349-1041		71349-1075							
20	71349-2008	71349-6008	71349-2042	71349-8042	71349-2076	71349-4076	20	71349-1008	71349-9008	71349-1042	71349-5042	71349-1076	71349-7076						
22	71349-2009		71349-2043		71349-2077		22	71349-1009		71349-1043		71349-1077							
24	71349-2010		71349-2044		71349-2078		24	71349-1010		71349-1044		71349-1078							
26	71349-2011		71349-2045		71349-2079		26	71349-1011		71349-1045		71349-1079							
28	71349-2012		71349-2046		71349-2080		28	71349-1012		71349-1046		71349-1080							
30	71349-2013		71349-2047		71349-2081		30	71349-1013		71349-1047		71349-1081							
32	71349-2014		71349-2048		71349-2082		32	71349-1014		71349-1048		71349-1082							
34	71349-2015		71349-2049		71349-2083		34	71349-1015		71349-1049		71349-1083							
36	71349-2016		71349-2050		71349-2084		36	71349-1016		71349-1050		71349-1084							
38	71349-2017		71349-2051		71349-2085		38	71349-1017		71349-1051		71349-1085							
40	71349-2018		71349-2052		71349-2086		40	71349-1018		71349-1052		71349-1086							
42	71349-2019		71349-2053		71349-2087		42	71349-1019		71349-1053		71349-1087							
44	71349-2020		71349-2054		71349-2088		44	71349-1020		71349-1054		71349-1088							
46	71349-2021		71349-2055		71349-2089		46	71349-1021		71349-1055		71349-1089							
48	71349-2022		71349-2056		71349-2090		48	71349-1022		71349-1056		71349-1090							
50	71349-2023	71349-6023	71349-2057	71349-8057	71349-2091	71349-4091	50	71349-1023	71349-9023	71349-1057	71349-5057	71349-1091	71349-7091						
52	71349-2024		71349-2058		71349-2092		52	71349-1024		71349-1058		71349-1092							
54	71349-2025		71349-2059		71349-2093		54	71349-1025		71349-1059		71349-1093							
56	71349-2026		71349-2060		71349-2094		56	71349-1026		71349-1060		71349-1094							
58	71349-2027		71349-2061		71349-2095		58	71349-1027		71349-1061		71349-1095							
60	71349-2028		71349-2062		71349-2096		60	71349-1028		71349-1062		71349-1096							
62	71349-2029		71349-2063		71349-2097		62	71349-1029		71349-1063		71349-1097							
64	71349-2030		71349-2064		71349-2098		64	71349-1030		71349-1064		71349-1098							
66	71349-2031		71349-2065		71349-2099		66	71349-1031		71349-1065		71349-1099							
68	71349-2032		71349-2066		71349-2100		68	71349-1032		71349-1066		71349-1100							
70	71349-2033		71349-2067		71349-2101		70	71349-1033		71349-1067		71349-1101							
72	71349-2034		71349-2068		71349-2102		72	71349-1034		71349-1068		71349-1102							

71349

H1	SEE SHEET 1
H	SEE SHEET 1
G	SEE SHEET 1
F	SEE SHEET 1
D	SEE SHEET 1
C	SEE SHEET 1

MFG. SH.	REV.	LTR.	REVISIONS
----------	------	------	-----------

DIMENSIONS SHOWN (METRIC) INCH  
UNLESS OTHERWISE SPECIFIED  
TOLERANCES ANGULAR ± 1/2°

3 PLACE	±	--	--
2 PLACE	±	--	±
1 PLACE	--	±	--

DRAFT WHERE APPLICABLE MUST  
REMAIN WITHIN DIMENSIONS

DRWG. NO. **SEE CHART** SDA-71349-\*\*\*\*

FILE NAME: S71349X3

THIS DRAWING CONTAINS INFORMATION THAT IS PROPRIETARY TO MOLEX INC. AND SHOULD NOT BE USED WITHOUT WRITTEN PERMISSION.

DATE: 6/10/96

U.S.A. 3