

LC66E516**SANYO****4-bit Single Chip Microcontroller with EPROM****Preliminary****Overview**

The LC66E516 is a 4-bit single-chip microcontroller with an EPROM on-chip, and can be used for developing and evaluating application programs for the LC665XX series 4-bit single-chip microcontrollers.

The LC66E516 microcontroller is a 4-bit single-chip IC with an EPROM on-chip and brought to you in ceramic DIC64S package with a window and ceramic QFC64 package with a window. This window permits the user to erase EPROM program data as many times as he or she wants. Then, it could be said that this single-chip IC is best suited for developing application programs.

The LC66E516 microcontroller has the same function and the pin assignment as those of the 4-bit single-chip mask programmed ROM-version LC66E516 microcontroller. The on-chip EPROM is 16k bytes in size.

LC66558B, LC66562B, LC66566B and that they are listed in the table on page 18 with a few pieces of information.

- Write/Read operation with an EPROM writer
Used with the dedicated writer board (W66E516DH for DIC, W66E516QH for QFC), an EPROM writer available on your local market permits the user to write or read data to or from the 16KB on-chip EPROM. Please note that the EPROM writer should be an ADVANTEST product or the EVA800/850 accessory writer used for the 27128 type EPROM.
- Pin-compatible with a mask programmed ROM-version single-chip microcontroller (LC66516B, for example)
- Instruction cycle time: 0.92 μ s to 10 μ s
- Single +5V power supply (Ta=10°C to 40°C)

Features

- Optional functions user-selectable by specifying EPROM option data.

The 56 optional functions on the LC665XX series single-chip microcontrollers can be selected by writing appropriate data to the on-chip EPROM. This function specification by the user allows application system to be developed and tested under the same working environment as that of production chip. In other words, the same interface circuit functions as those of production chips can be built up by the user.

Please note that the above-mentioned optional functions include port output type (open-drain or pull-up), output pin logic level at reset, watchdog timer selection and the like.

- On-chip 16KB EPROM

The on-chip EPROM enable the user to develop and evaluate application programs which can be run on every LC665XX series microcontroller. Please note that the LC665XX series microcontrollers are LC66506B, LC66508B, LC66512B, LC66516B, LC66556A, LC66558A, LC66562A, LC66566A, LC66556B,

■ Any and all SANYO products described or contained herein do not have specifications that can handle applications that require extremely high levels of reliability, such as life-support systems, aircraft's control systems, or other applications whose failure can be reasonably expected to result in serious physical and/or material damage. Consult with your SANYO representative nearest you before using any SANYO products described or contained herein in such applications.

■ SANYO assumes no responsibility for equipment failures that result from using products at values that exceed, even momentarily, rated values (such as maximum ratings, operating condition ranges, or other parameters) listed in products specifications of any and all SANYO products described or contained herein.

SANYO Electric Co., Ltd. Semiconductor Business Headquarters

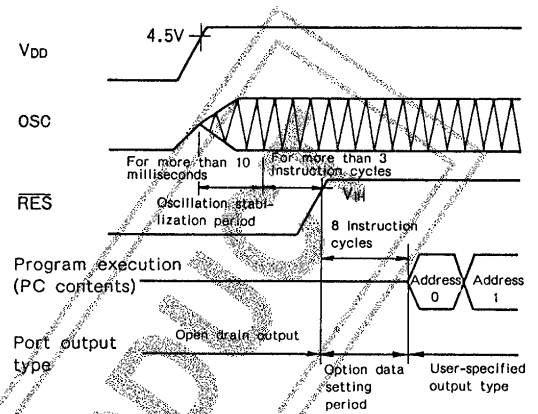
TOKYO OFFICE Tokyo Bldg., 1-10, 1 Chome, Ueno, Taito-ku, TOKYO, 110-8534 JAPAN

Usage notes

The LC66E516 single-chip IC is intended for use by those who are in charge of the development and evaluation of application programs for the LC665XX series 4-bit single-chip microcontrollers. please keep in mind the following when the user application developers are to work with this single-chip microcontroller.

- Notes on LC66E516 internal operations after reset

As the figure shows, the LC66E516 microcontroller starts normal program execution at least 3 instruction cycles later after the oscillation by the OSC function block becomes stable. In other words, the \overline{RES} pin level (active low) must be active for at least 3 instruction cycles after the oscillation becomes stabilized. As the figure also shows, the oscillation stabilization requires more than 10 milliseconds. It is also shown that option data setting requires 8 instruction cycles after the \overline{RES} pin level changes to the inactive level (or to V_{IH} voltage level). After all those operations are carried out, the LC66E516 microcontroller starts program execution normally from address 0 in the EPROM (that is, the content at address 0 is automatically set in the program counter (PC)). At this point, Please note that port output type will be open-drain, not pull-up output type, as long as the \overline{RES} pin stays active.



- Notes on evaluation of user application programs for the LC66506, LC66508, LC66512, LC66556, LC66558, LC66562, microcontrollers

The above six mask programmed ROM-version microcontrollers are equipped with different ROMs in size from that of the LC66E516 microcontroller. Therefore, the following things should be taken into consideration when you are to make an access to the ROM on the LC66E516 microcontroller.

First, it should be kept in mind that the last 8 addresses between 3FF8 and 3FFF are used by the user in order to specify functional option data. This 8-byte area is called option specification area. This option specification area must be exclusively used for storing function option data. The option specification will be discussed in detail later in this catalog.

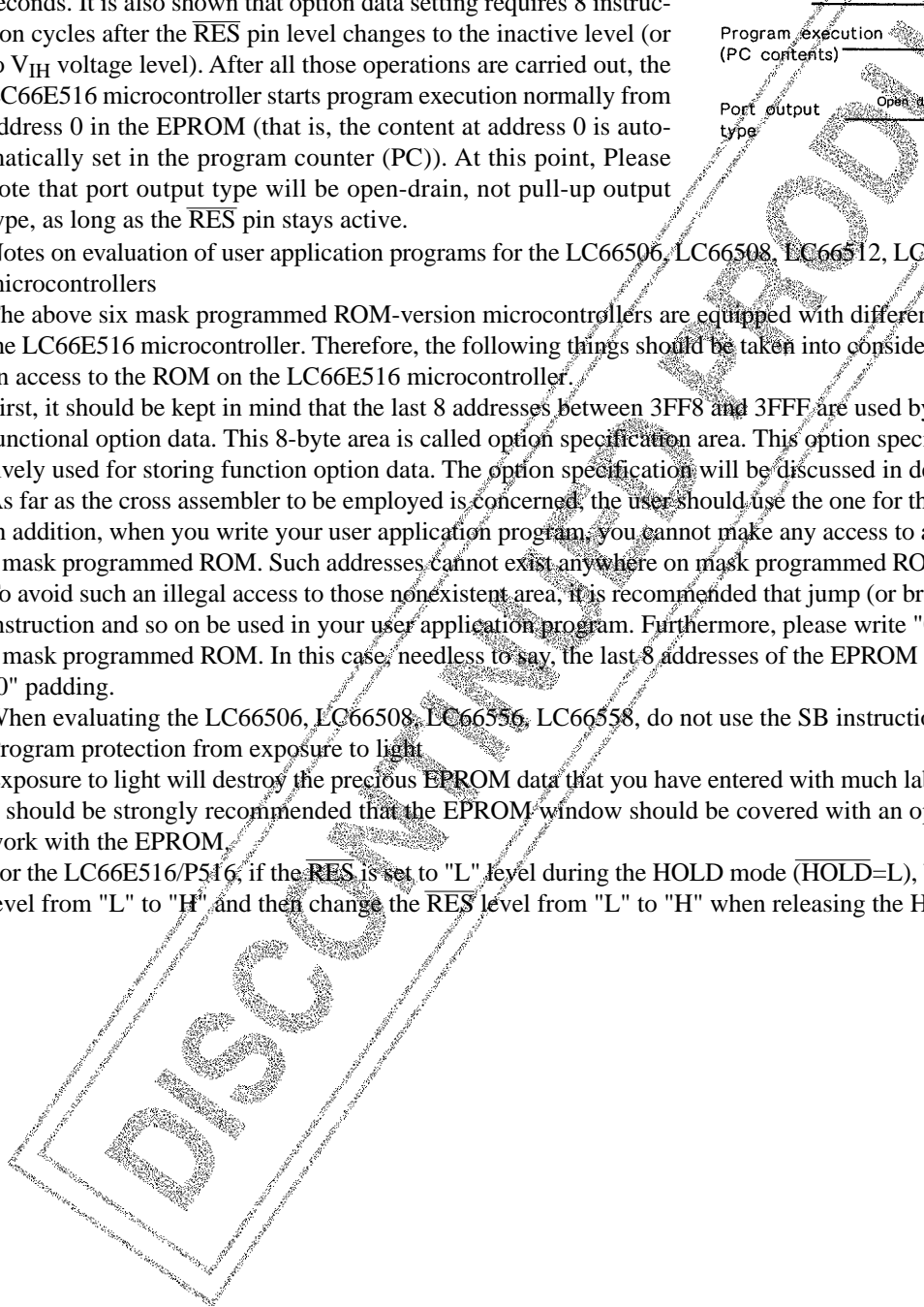
As far as the cross assembler to be employed is concerned, the user should use the one for the LC66516 microcontroller. In addition, when you write your user application program, you cannot make any access to addresses beyond the area of a mask programmed ROM. Such addresses cannot exist anywhere on mask programmed ROM-version microcontrollers. To avoid such an illegal access to those nonexistent area, it is recommended that jump (or branch) operations with a JMP instruction and so on be used in your user application program. Furthermore, please write "0" to the area beyond that of a mask programmed ROM. In this case, needless to say, the last 8 addresses of the EPROM should be excluded from the "0" padding.

When evaluating the LC66506, LC66508, LC66556, LC66558, do not use the SB instruction.

- Program protection from exposure to light

Exposure to light will destroy the precious EPROM data that you have entered with much labor. In order to protect them, it should be strongly recommended that the EPROM window should be covered with an opaque label while you are at work with the EPROM.

- For the LC66E516/P516, if the \overline{RES} is set to "L" level during the HOLD mode ($\overline{HOLD}=L$), be sure to change the \overline{HOLD} level from "L" to "H" and then change the \overline{RES} level from "L" to "H" when releasing the HOLD mode.



LC66E516

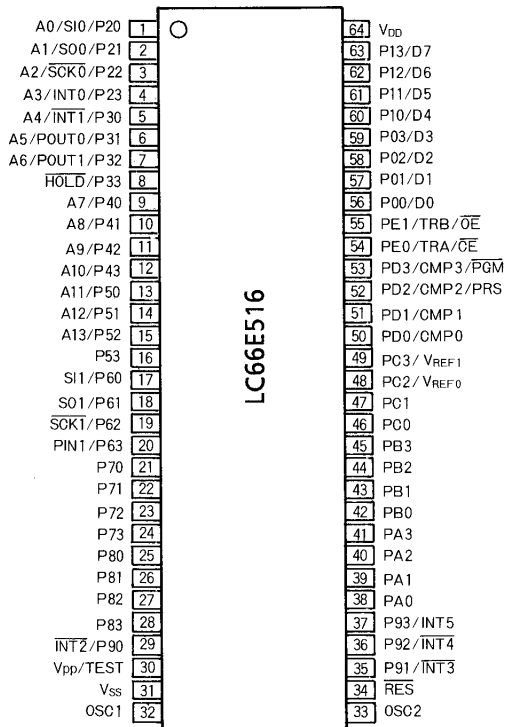
Comparison of LC66E516 and the masked ROM version(LC665XX)

Item	LC66E516	LC665XX series(masked ROM version)	
		LC6650X series(including tool)	LC6655X series
Differences in system			
• Hardware wait time (number of cycles) at HOLD mode released state	65536 cycles Approx. 64ms at 4MHz (T _{cyc} =1μs)	65536 cycles Approx. 64ms at 4MHz (T _{cyc} =1μs)	16384 cycles Approx. 32ms at 2MHz (T _{cyc} =2μs) Approx. 64ms at 1MHz (T _{cyc} =4μs)
• Value (including the value after HOLD mode release) of timer 0 during reset	"FF0H" is set.	"FF0H" is set.	"FFCH" is set.
• Port output type during reset	Open-drain output (other than P0, P1) (floating) H/L output (P0, P1) with pull-up	Option-specified output type	Option-specified output type
Differences in main characteristics			
• Operating supply voltage/operating speed	4.5V to 5.5V/0.92 to 10μs	4.0V to 6.0V/0.92 to 10μs (tool:5V ±5%)	2.2V to 5.5V/3.92 to 10μs 3.0V to 5.5V/1.96 to 10μs
• Operating free-air temperature (T _{opr})	10 to 40°C	-30 to +70°C	
• Current drain during HALT mode ON (IDD HALT)	5.0mA max. (4MHz ceramic resonator oscillation) 6.0mA max. (4MHz external clock source) 5.0mA max. (3MHz typ. RC oscillation)	2.5mA max. (4MHz ceramic resonator oscillation) 3.5mA max. (4MHz external clock source) 2.5mA max. (3MHz typ. RC oscillation) (tool: evaluation impossible)	2.5mA max. (4MHz ceramic resonator oscillation) 3.5mA max. (4MHz external clock source)
• External constants for RC oscillation	C=100pF R=2.2kΩ	C=100pF R=2.7kΩ (tool: R=2.2kΩ)	Not applicable
Case outline (package)	DIP64S with window QFC64 with window	DIP64S QFP64A	DIP64S QFP64E

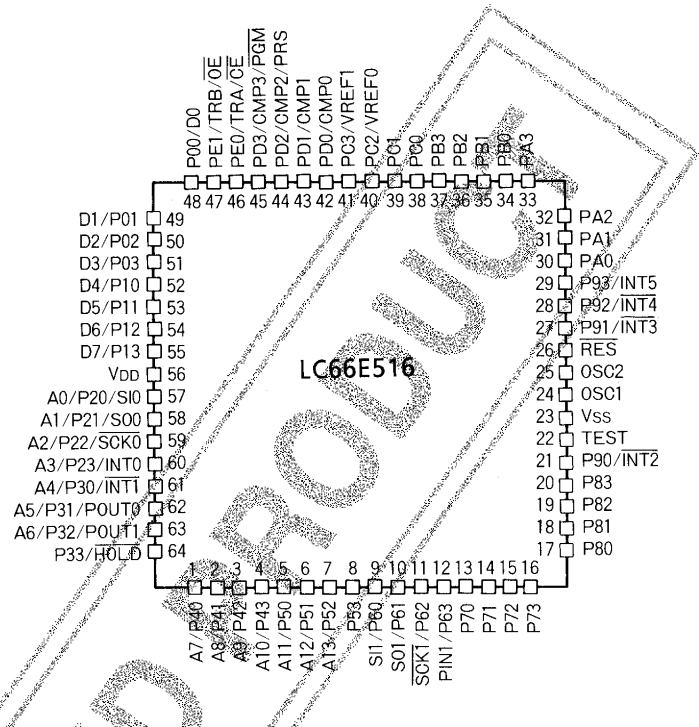
LC66E516

Pin Assignments

DIC64S with window

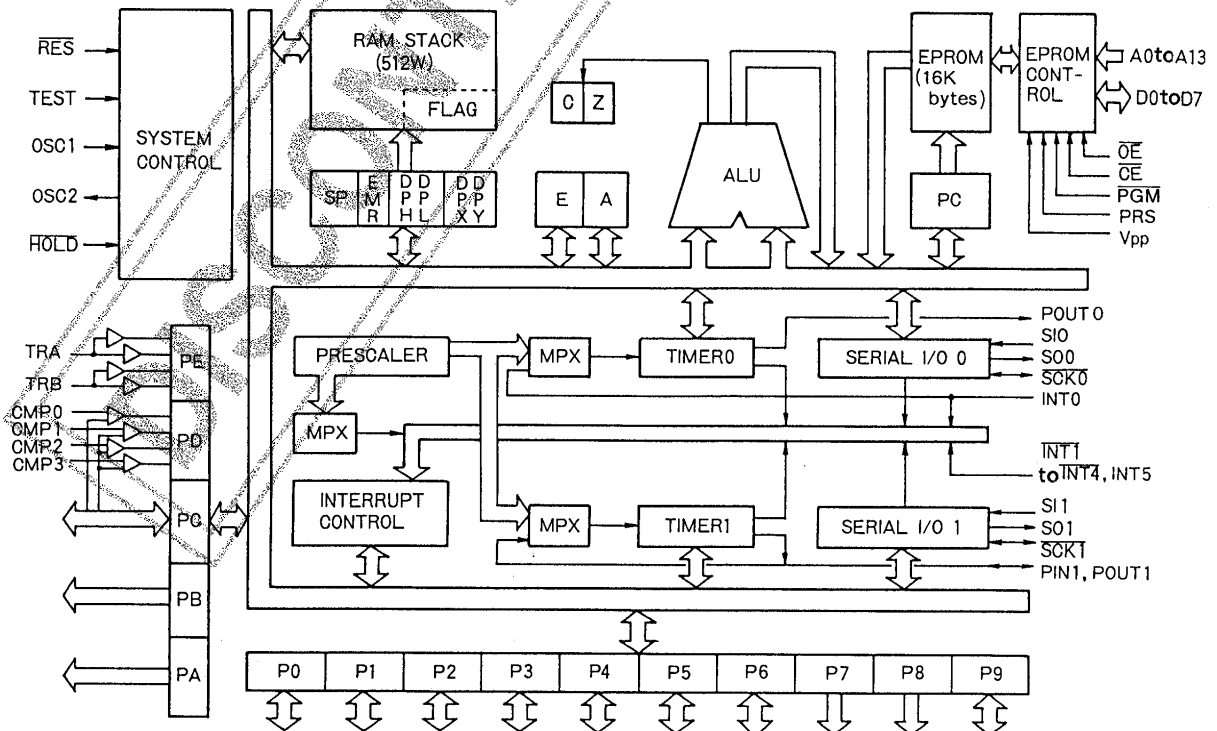


QFC64 with window



Top view

Block Diagram



LC66E516

Pin Function

Pin name	Input/output	Functional description	Output driver circuit output type	Option	During EPROM mode operation
P00/D0 P01/D1 P02/D2 P03/D3	I/O	Input/output port pins P00 to P03 <ul style="list-style-type: none"> Used for input/output operation in 4-bit units or bit units. Used for controlling HALT mode operation. 	<ul style="list-style-type: none"> Pch: Pull-up (Pu) MOS type Nch: Small sink current output type 	<ul style="list-style-type: none"> Pull-up (Pu) MOS output type or Nch open-drain (OD) output type Output pin level at reset 	Data input/output pins (D0 to D3)
P10/D4 P11/D5 P12/D6 P13/D7	I/O	Input/output port pins P10 to P13 <ul style="list-style-type: none"> Used for input/output operation in 4-bit units or bit units. 	<ul style="list-style-type: none"> Pch: Pull-up (Pu) MOS type Nch: Small sink current output type 	<ul style="list-style-type: none"> Pu MOS output type or Nch OD output type Output pin level at reset 	Data input/output pins (D4 to D7)
P20/SI0/A0 P21/SO0/A1 P22/SCK0/A2 P23/INT0/A3	I/O	Input/output port pins P20 to P23 <ul style="list-style-type: none"> Used for input/output operation in 4-bit units or bit units. P20: Common with serial input SI0 P21: Common with serial output SO0 P22: Common with serial clock SCK0 P23: Common with INT0 interrupt request input, timer 0-used event count input, pulse width measurement input 	<ul style="list-style-type: none"> Pch: CMOS type Nch: Small sink current output type +15V withstand voltage at Nch open drain (OD) output 	<ul style="list-style-type: none"> CMOS output type or Nch OD output type 	Address input (A0 to A3)
P30/INT1/A4 P31/POUT0/A5 P32/POUT1/A6	I/O	Input/output port pins P30 to P32 <ul style="list-style-type: none"> Used for input/output operation in 3-bit units or bit units and for input operation in 4-bit units (together with the P33 pin) or bit units. P30: Common with INT1 interrupt request input P31: Common with burst pulse output from timer 0 P32: Common with burst pulse output from timer 1 and PWM output 	<ul style="list-style-type: none"> Pch: CMOS type Nch: Small sink current output type +15V withstand voltage for Nch OD output 	<ul style="list-style-type: none"> CMOS output type or Nch OD output type 	Address input (A4 to A6)
P33/HOLD	I	HOLD mode control signal input <ul style="list-style-type: none"> Used for activating HOLD operation mode with HOLD = L (active low) by using a HOLD instruction Used for restarting the CPU operation from the HOLD mode operation by changing the HOLD pin level from L to H. Used as input port pin P33 to form a 4-bit input port with P30 to P32. The CPU blocks cannot be reset even if the RES (active low) pin level changes from H to L, with the HOLD pin level = L. This means that you cannot write a user application program requiring the P33/HOLD pin to enter the L level state at the moment the system is powered on. 			
P40/A7 P41/A8 P42/A9 P43/A10	I/O	Input/output port pins P40 to P43 <ul style="list-style-type: none"> Used for input/output operation in 4-bit units or bit units. These four pins, combined with port pins P50 to P53, can be used for input/output operation in 8-bit units. These four pins, together with port pins P50 to P53, can be used for 8-bit ROM data output. 	<ul style="list-style-type: none"> Pch: Pull-up (Pu) MOS type Nch: Small sink current output type 	<ul style="list-style-type: none"> Pu MOS output type or Nch OD output type 	Address input (A7 to A10)
P50/A11 P51/A12 P52/A13 P53	I/O	Input/output port pins P50 to P53 <ul style="list-style-type: none"> Used for input/output operation in 4-bit units or bit units. These four pins, combined with port pins P40 to P43, can be used for input/output operation in 8-bit units. These four pins, together with port pins P40 to P43, can be used for 8-bits ROM data output. 	<ul style="list-style-type: none"> Pch: Pull-up (Pu) MOS type Nch: Small sink current output type 	<ul style="list-style-type: none"> Pu MOS output type or Nch OD output type 	Address input (A11 to A13)

Continued on next page.

LC66E516

Continued from preceding page.

Pin name	Input/output	Functional description	Output driver circuit output type	Option	During EPROM mode operation
P60/SI1 P61/SO1 P62/SCK1 P63/PIN1	I/O	Input/output port pins P60 to P63 <ul style="list-style-type: none"> Used for input/output operation in 4-bit units or bit units. P60: Common with serial input SI1 P61: Common with serial output SO1 P62: Common with serial clock SCK1 P63: Common with timer 1-used event count input 	<ul style="list-style-type: none"> Pch: CMOS type Nch: Small sink current output type +15V withstand voltage for Nch OD output 	<ul style="list-style-type: none"> CMOS output type or Nch OD output type 	
P70 P71 P72 P73	O	Output port pins P70 to P73 <ul style="list-style-type: none"> Used for output operation in 4-bit units or in bit units. If you use an input-related instruction in your application program, the content of the output latch will be input. 	<ul style="list-style-type: none"> Pch: Pull-up (Pu) MOS type Nch: Medium sink current output type +15V withstand voltage for Nch OD output type 	<ul style="list-style-type: none"> Pu MOS output type or Nch output type 	
P80 P81 P82 P83	O	Output port pins P80 to P83 <ul style="list-style-type: none"> Used for output operation in 4-bit units or bit units. If you use an input-related instruction in your application program, the content of the output latch will be read in. Pch OD output type optionally available. More about this later. 	<ul style="list-style-type: none"> Pch: CMOS type Nch: Small sink current type 	<ul style="list-style-type: none"> CMOS output type or Pch OD output type Output pin level at reset 	
P90/INT2 P91/INT3 P92/INT4 P93/INT5	I/O	Input/output port pins P90 to P93 <ul style="list-style-type: none"> Used for input/output operation in 4-bit units or bit units. P90: Common with INT2 interrupt request input P91: Common with INT3 interrupt request input P92: Common with INT4 interrupt request input P93: Common with INT5 interrupt request input 	<ul style="list-style-type: none"> Pch: CMOS type Nch: Small sink current type 	<ul style="list-style-type: none"> CMOS output type or Nch OD output type 	
PA0 PA1 PA2 PA3	O	Output port pins PA0 to PA3 <ul style="list-style-type: none"> Used for input operation in 4-bit units or bit units. If you use an input-related instruction in your application program, the content of the output latch will be read in. 	<ul style="list-style-type: none"> Pch: Pull-up (Pu) MOS type Nch: Medium sink current type +15V withstand voltage for Nch OD output type 	<ul style="list-style-type: none"> Pu MOS output type or Nch OD output type 	
PB0 PB1 PB2 PB3	O	Output port pins PB0 to PB3 <ul style="list-style-type: none"> Used for output operation in 4-bit units or bit units. If you use an input-related instruction in your application program, the content of the output latch will be read in. 	<ul style="list-style-type: none"> Pch: Pull-up (Pu) MOS type Nch: Medium sink current type 	<ul style="list-style-type: none"> Pu MOS output type or Nch OD output type 	
PC0 PC1 PC2/VREF0 PC3/VERF1	I/O	Input/output port pins PC0 to PC3 <ul style="list-style-type: none"> Used for input/output operation in 4-bit units or bit units. PC2: Common with VREF0 comparator comparison voltage terminal PC3: Common with VREF1 comparator comparison voltage terminal 	<ul style="list-style-type: none"> Pch: CMOS type Nch: Small sink current type 	<ul style="list-style-type: none"> CMOS output type or Nch OD output type 	
PD0/CMP0 PD1/CMP1 PD2/CMP2/PRS PD3/CMP3/PGM		Input port pins PD0 to PD3 <ul style="list-style-type: none"> These four pins can be programmed for comparator inputs in user application programs. PD0 input will be compared with VREF0. Other inputs will be compared with VREF1. Please note that there are four comparators available in this system and these four comparators are grouped into two (one group: CMP0 and CMP1, the other group: CMP2 and CMP3), and that the comparators must be selected in group units. 			EPROM control signal inputs (PRS and PGM)
PE0/TRA/CE PE1/TRB/OE	I	Input port pins PE0 to PE1 <ul style="list-style-type: none"> These two tristate input port pins can be controlled in your application programs. 			EPROM control signal inputs (OE and CE)

Continued on next page.

LC66E516

Continued from preceding page.

pin name	Input/output	Functional description	Output driver circuit output type	Option	During EPROM mode operation
OSC1 OSC2	I O	Pins for connecting system clock oscillator externally. If external clock source mode is to be employed, use the OSC1 pin only for clock input. Leave the other pin open.		Ceramic resonator oscillation. RC oscillation or external clock source	
RES	I	Input port pin for system reset request signal · To initialize the CPU, the $\overline{\text{RES}}$ (active low) pin level must be L with the P33/HOLD pin level = H.			
TEST/V _{pp}	I	Input port pin for CPU test signal This pin should be connected with the VSS pin when this device is in operation.			
V _{DD} V _{SS}		Power supply pin			

Remarks:

- Pu MOS type output --- Pch MOS type transistor acts as a pull-up resistor when data is output.
- CMOS type output --- Pch MOS type transistor does not act as a pull-up resistor when data is output. Instead, it forms a complementary-symmetry MOS output circuit with an Nch MOS type transistor.
- OD output --- Open drain output type

Note:

At the system reset, the pin output level of each of input/output and output port pins will be "H" except for such pins as ports 0, 1 and 8. The output level of these exceptions can be specified by the user options. In addition to this system reset operation, the port output type will be set to open drain at the system reset, which is irrespective of user option specification. In this case, there is no exception.

User options

- Option for specifying the output level of ports 0, 1 and 8 at the system reset.
The output level of ports 0, 1 and 8 at the system reset can be selected from the following two optional levels by the user option. In this case, it should be kept in mind that the output levels of all the four bits of each input/output port are specified at the same time.

Option name	Condition
1. "H" output level	In 4-bit units
2. "L" output level	In 4-bit units

2. Option for selecting oscillation circuit

Option name	Selectable oscillation circuit	Condition
1. External clock source		· Schmitt trigger input
2. 2-pin (OSC1 and OSC2) RC oscillation circuit		· Schmitt trigger input
3. Ceramic resonator oscillation circuit		

LC66E516

3. Option for selecting watchdog timer function

This option permits the user to select the watchdog timer function. This function could be helpful in detecting a timeout error from your user application program.

4. Option for specifying port output type

i) This option permits the user to select a desired port output type of the following ports from the two output types listed in the table below. Please note that port output types can be specified in bit units.

Ports: P0, P1, P2, P3 (P33/HOLD not included), P4, P5, P6, P7, P9, PA, PB, and PC

Option name	Selected output circuit type	Condition
1. Open drain output type		Ports P7, PA and PB are provided exclusively for output operation. Ports P2, P3, P6 and P9 employ Schmitt trigger input.
2. Pull-up transistor output type		Ports P7, PA and PB are provided exclusively for output operation. Ports P2, P3, P6 and P9 employ Schmitt trigger input. The Pch type MOS transistor can act as either a pull-up resistor (for Pu-MOS output circuit) or an output transistor (CMOS output circuit), which depends on its driving capability. CMOS output type: P2, P3, P6, P9 and PC. Pu MOS output: P0, P1, P4, P5, P7, PA and PB.

ii) The output type of P8 can be selected from the following two options. Please note that the output types for the port pins can be specified in bit units.

Option name	Selected output circuit type	Condition
1. Option drain output type (Pch OD)		
2. Pull-down resistor output type		

iii) Comparator input of the PD and tristate input of the PE can be specified in your user application program.

User option specification

To select desired user options, you must write appropriate data into the user option specification area in the on-chip EPROM. The user option specification will be discussed in detail on the following pages.

LC66E516

How to write data in the user option specification area and the program area in the on-chip EPROM

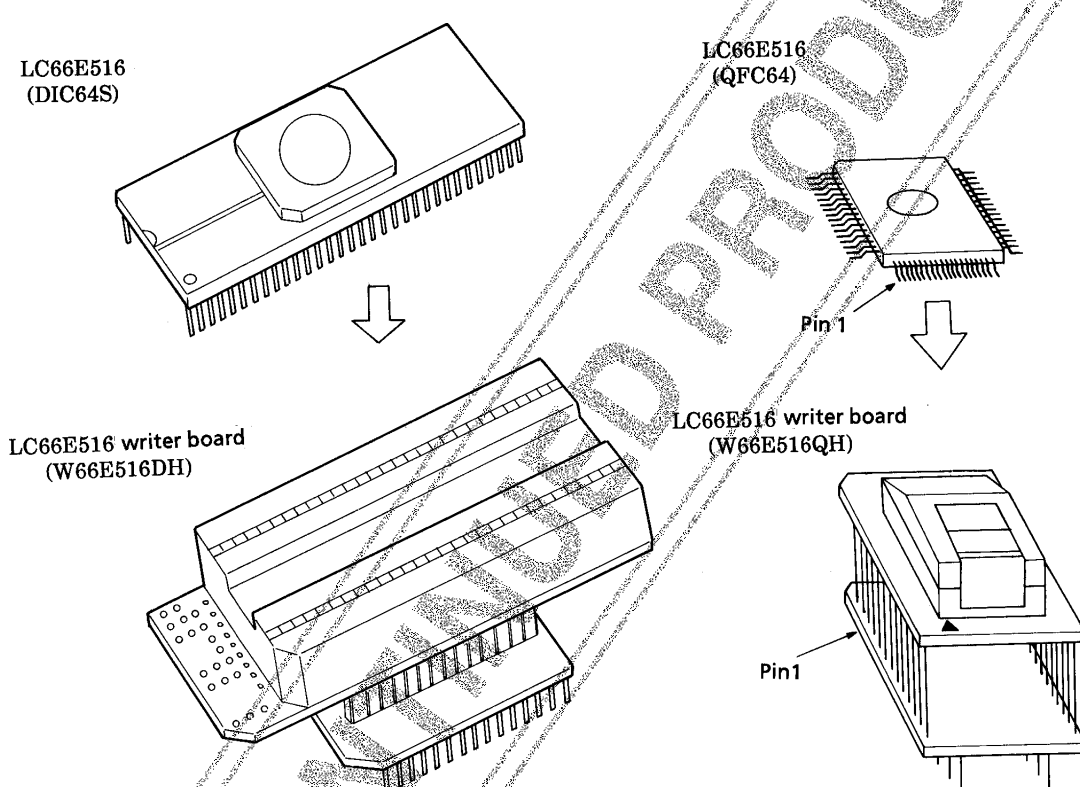
(1) Writing option codes to the user option specification area

Use the cross assembler for the LC66516 mask programmed ROM-version microcontroller when you write option codes in the user specification area. When your source application program is assembled, the option data will be stored in the user option specification area (3FF8 through 3FFF). In addition to the above writing, you are allowed to write option data directly into the user option specification area in the on-chip EPROM. In this case, making references to the option code specification list on the next page will be a "must".

(2) Writing program into the on-chip EPROM program area

An EPROM writer available on your local market can be used to write program into the on-chip EPROM program area. In this case, the EPROM writer (27128 EPROM writer) must be used together with the dedicated writer board because the pin conversion (64 into 28) is required. The dedicated writer board is shown below.

Please note that the EPROM writer must be either an ADVANTEST product or the EVA800/850 accessory writer. Such an EPROM writer enables you to write your application program into the EPROM in Intel high-speed writing method.



This dedicated writer board is inserted into the EPROM writer available on your local market. (Select either an ADVANTEST writer product or the EVA800/850 accessory EPROM writer).

Manufacturer	Model
ADVANTEST	TR4943, R4944A, R4945 or equivalent
SANYO	EVA850 or EVA800 accessory EPROM writer

- Notes
1. Intel is a registered trademark of Intel Corporation.
 2. ADVANTEST is a registered trademark of ADVANTEST Corporation.

(3) How to erase the contents of the on-chip EPROM

To erase the contents of the on-chip EPROM, you can use an EPROM eraser available on your local market.

LC66E516

Option code specification list

ROM address	Bit	Optional item	Option data and selections	
3FF8H	7	Unused	Always set to "0".	
	6			
	5			
	4	Oscillation circuit type	1: Ceramic resonator oscillation. 0: RC oscillation or external clock source	
	3	P8	Output level at the system reset	1="H"-level, 0="L"-level
	2	P1		
	1	P0		
0	Watchdog timer function option		1: Selected, 0: Not selected.	
3FF9H	7	P13	Output circuit type	1=PU, 0=OD
	6	P12		
	5	P11		
	4	P10	Output circuit type	1=PU, 0=OD
	3	P03		
	2	P02		
	1	P01		
0	P00			
3FFAH	7	P33	Unused	Always set to "0".
	6	P32	Output circuit type	1=PU, 0=OD
	5	P31		
	4	P30		
	3	P23	Output circuit type	1=PU, 0=OD
	2	P22		
	1	P21		
0	P20			
3FFBH	7	P53	Output circuit type	1=PU, 0=OD
	6	P52		
	5	P51		
	4	P50	Output circuit type	1=PU, 0=OD
	3	P43		
	2	P42		
	1	P41		
0	P40			
3FFCH	7	P73	Output circuit type	1=PU, 0=OD
	6	P72		
	5	P71		
	4	P70	Output circuit type	1=PU, 0=OD
	3	P63		
	2	P62		
1	P61			
0	P60			
3FFDH	7	P93	Output circuit type	1=PU, 0=OD
	6	P92		
	5	P91		
	4	P90	Output circuit type	1=PD, 0=OD
	3	P83		
	2	P82		
1	P81			
0	P80			
3FFEH	7	PB3	Output circuit type	1=PU, 0=OD
	6	PB2		
	5	PB1		
	4	PB0	Output circuit type	1=PU, 0=OD
	3	PA3		
	2	PA2		
	1	PA1		
0	PA0			
3FFFH	7	Unused		Always set to "0".
	6			
	5			
	4	Output circuit type	1=PU, 0=OD	
	3			PC3
	2			PC2
	1			PC1
0	PC0			

Remarks:

- PU --- Pull-up MOS type resistance output
- PD --- Pull-down MOS type resistance output
- OD --- Open-drain output

Note: The pull-up MOS type resistance output represents the pull-up MOS (Pu MOS) type resistor output circuit and the complementary MOS (CMOS) type output circuit.

LC66E516

Specifications

Absolute Maximum Ratings at Ta = 25°C, VSS=0V

Parameter	Symbol	Pins applicable and related information	Conditions	Ratings	Unit	Note
Supply voltage	V _{DD}	V _{DD}		-0.3 to +7.0	V	
Input voltage	V _{IN(1)}	P2, P3 (except P33/HOLD) and P6.		-0.3 to +15.0	V	1
	V _{IN(2)}	All the pins other than the above		-0.2 to V _{DD} +0.3	V	2
Output voltage	V _{OUT(1)}	P2, P3 (except P33/HOLD), P6, P7 and PA.		-0.3 to +15.0	V	1
	V _{OUT(2)}	All the pins other than the above.		-0.3 to V _{DD} +0.3	V	2
Output current per pin	I _{ON(1)}	P0, P1, P2, P3 (except P33/HOLD), P4, P5, P6, P8, P9 and PC.		4	mA	3
	I _{ON(2)}	P7, PA, PB		20	mA	3
	-I _{OP(1)}	P0, P1, P4, P5, P7, PA, PB		2	mA	4
	-I _{OP(2)}	P2, P3 (except P33/HOLD), P6, P8, P9 and PC.		4	mA	4
Pin total current	ΣI _{ON(1)}	P2, P3 (except P33/HOLD), P4, P5, P6, P7 and P8.		75	mA	3
	ΣI _{ON(2)}	P0, P1, P9, PA, PB, PC		75	mA	3
	-ΣI _{OP(1)}	P2, P3 (except P33/HOLD), P4, P5, P6, P7 and P8.		25	mA	4
	-ΣI _{OP(2)}	P0, P1, P9, PA, PB, PC		25	mA	4
Allowable power dissipation	Pd max	Ta=10 to 40°C	DIC-64S	600	mW	
Operating temperature	Topr			10 to 40	°C	
Storage temperature	Tstg			-55 to +125	°C	

Note 1: Applicable only to the pins with open drain output circuit. Otherwise, refer to the values listed in the "all the pins other than the above" column.

Note 2: As far as oscillation input and output are concerned, the voltage range can cover the self-oscillating level.

Note 3: Sink current. As far as the P8 is concerned, these parameters can apply only to the CMOS output circuit.

Note 4: Source current. Apply to the both of the pull-up output circuit and the CMOS output circuit except for P8.

Allowable operating conditions at Ta = 10°C to 40°C, VSS=0V, unless otherwise noted

Parameter	Symbol	Pins applicable	Conditions	Ratings			Unit	Note	
				V _{DD} (V)	min	typ			max
Operating supply voltage	V _{DD}	V _{DD}			4.5	5.0	5.5	V	
Memory backup voltage	V _{DD(H)}	V _{DD}	With HOLD mode "ON"		1.8		5.5	V	
Input high-level voltage	V _{IH(1)}	P2, P3 (except P33/HOLD) and P6.	With output Nch transistor "OFF"	4.5 to 5.5	0.75V _{DD}		+13.5	V	1
	V _{IH(2)}	P33/HOLD, P9, RES, OSC1	With output Nch transistor "OFF"	4.5 to 5.5	0.75V _{DD}		V _{DD}	V	2
	V _{IH(3)}	P0, P1, P4, P5, PC, PD, PE	With output Nch transistor "OFF"	4.5 to 5.5	0.7V _{DD}		V _{DD}	V	3
	V _{IH(4)}	PE	With tristate input mode selected	4.5 to 5.5	0.8V _{DD}		V _{DD}	V	

Continued on next page.

LC66E516

Continued from preceding page.

Parameter	Symbol	Pins applicable	Conditions	Ratings			Unit	Note		
				V _{DD} (V)	min	typ			max	
Intermediate level input voltage	V _{IM}	PE	With tristate input mode selected.	4.5 to 5.5	0.4V _{DD}		0.6V _{DD}	V		
In-phase input voltage	V _{CMM}	PD, PC2, PC3	With comparator input mode selected	4.5 to 5.5	1.0		V _{DD} -1.5	V		
Input low-level voltage	V _{IL} (1)	P2, P3(except P33/HOLD), P6, P9 and RES. OSC1	With output Nch transistor "OFF"	4.5 to 5.5	V _{SS}		0.25V _{DD}	V	2	
	V _{IL} (2)	P33/HOLD		1.8 to 5.5	V _{SS}		0.25V _{DD}	V		
	V _{IL} (3)	P0, P1, P4, P5, PC, PD, PE, TEST	With output Nch transistor "OFF"	4.5 to 5.5	V _{SS}		0.3V _{DD}	V	3	
	V _{IL} (4)	PE	With tristate input mode selected.	4.5 to 5.5	V _{SS}		0.2V _{DD}	V		
Operating frequency (instruction cycle time)	fop (TCYC)			4.5 to 5.5	0.4 (10)		4.35 (0.92)	MHz (μs)		
External clock input mode	Frequency	fext	Please refer to Figure 1. As it shows, input clocks reach the OSC1 pin from an external clock source and the OSC2 pin should be left open. The oscillation circuit option should be "external clock input".	4.5 to 5.5	0.4		4.35	MHz		
	Pulse width	textH textL		OSC1	4.5 to 5.5	70			ns	
	Rise and Fall times	textR textF			4.5 to 5.5			30	ns	
self oscillation mode	Ceramic resonator oscillation	Oscillation frequency	f _{CF}	OSC1, OSC2	Refer to Figure 2.	4MHz	4.5 to 5.5	4.0	MHz	
		Oscillation stabilization time period	t _{CFS}		Refer to Figure 3	4MHz	4.5 to 5.5		10	ms
	External R and C constants	Cext Rext	OSC1, OSC2	Refer to Figure 4	4.5 to 5.5			100 2.2	pF kΩ	

Note 1: These values apply to the case where the open-drain circuit type has been specified. Note that the P33/HOLD pin is not included (refer to the values listed in V_{IH} (2) column and that the pins P2, P3 and P6 cannot be used as the input pins as far as the CMOS output circuit type has been employed.

Note 2: These values apply to the case where the open drain circuit type has been selected. Note that the pin P9 cannot be used as the input pin as far as the CMOS type output circuit has been employed.

Note 3: When the pin PE has been selected as the tristate input pin, the values listed in the V_{IH}(4), V_{IM} and V_{IL}(4) columns should apply to the pin. Note that the pin PC cannot be used as the input pin as far as the CMOS type output circuit has been employed.

LC66E516

Electrical characteristics at Ta = 10°C to 40°C, V_{SS}=0V, unless otherwise noted

Parameter	Symbol	Pins applicable	Conditions	Ratings			Unit	Note	
				V _{DD} (V)	min	typ			max
Input high-level current	I _{IH} (1)	P2, P3(except P33/HOLD) and P6.	V _{IN} = 13.5V With output Nch transistor "OFF"	4.5 to 5.5			5.0	μA	1
	I _{IH} (2)	P0, P1, P4, P5, P9, PC, OSC1, RES and P33/HOLD. Note that the PD, PE, PC2, and PC3 are not included.	V _{IN} = V _{DD} With output Nch transistor "OFF"	4.5 to 5.5			1.0	μA	1
	I _{IH} (3)	PD, PE, PC2, PC3	V _{IN} = V _{DD} With output Nch transistor "OFF"	4.5 to 5.5			1.0	μA	1
Input low-level current	I _{IL} (1)	Input pins other than PD, PE, PC2 and PC3	V _{IN} = V _{SS} With output Nch transistor "OFF"	4.5 to 5.5	-1.0			μA	2
	I _{IL} (2)	PC2, PC3, PD, PE	V _{IN} = V _{SS} With output Nch transistor "OFF"	4.5 to 5.5	-1.0			μA	2
Output high-level voltage	V _{OH} (1)	P2, P3(except P33/HOLD), P6, P8, P9, and PC.	I _{OH} = -1mA	4.5 to 5.5	V _{DD} -1.0			V	3
			I _{OH} = -0.1mA	4.5 to 5.5	V _{DD} -0.5			V	3
	V _{OH} (2)	P0, P1, P4, P5, P7, PA, PB	I _{OH} = -200μA	4.5	2.4			V	4
			I _{OH} = -130μA	4.5 to 5.5	V _{DD} -1.35			V	4
Output pull-up current	I _{PO}	P0, P1, P4, P5, P7, PA, PB	V _{IN} = V _{SS}	5.5	-1.6			mA	4
Output low-level voltage	V _{OL} (1)	P0, P1, P2, P3, P4, P5, P6, P8, P9 and PC (except P33/HOLD).	I _{OL} = 1.6mA	4.5 to 5.5			0.4	V	5
	V _{OL} (2)	P7, PA, PB	I _{OL} = 10mA	4.5 to 5.5			1.5	V	
Output-OFF leakage current	I _{OFF} (1)	P2, P3, P6, P7, PA	V _{IN} = 13.5V	4.5 to 5.5			5.0	μA	6
	I _{OFF} (2)	Pins other than P2, P3, P6, P7, P8 and PA	V _{IN} = V _{DD}	4.5 to 5.5			1.0	μA	6
	I _{OFF} (3)	P8	V _{IN} = V _{SS}	4.5 to 5.5	-1.0			μA	7
Comparator offset current	V _{OFF}	PD	V _{IN} = 1.0V to V _{DD} -1.5V	4.5 to 5.5		±50	±300	mV	
Schmitt characteristics	Hysteresis voltage	V _{HYS}				0.1V _{DD}		V	
	High-level threshold voltage	V _{IH}	P2, P3, RES, P6, P9, OSC1 (RC, EXT)	4.5 to 5.5	0.5V _{DD}		0.75V _{DD}	V	
	Low-level threshold voltage	V _{IL}			0.25V _{DD}		0.5V _{DD}	V	
RC oscillation frequency range	f _{RC}	OSC1, OSC2	Refer to Figure 4. C = 100pF ±5% R = 2.2kΩ ±1%	4.5 to 5.5	2.0	3.0	4.0	MHz	

Continued on next page.

LC66E516

Continued from preceding page.

Parameter		symbol	Pins applicable	Conditions	Ratings			Unit	Note		
					V _{DD} (V)	min	typ			max	
Serial timing clock	Cycle time	Data input	t _{CKCY}	SCK0, SCK1	Refer to Figure 5 (timings) and Figure 6 (test load).	4.5 to 5.5	0.9		μs		
		Data output				4.5 to 5.5	2.0		T _{CYC}		
	Low-level and high-level pulse width	Data input				t _{CKL}	4.5 to 5.5	0.4		μs	
		Data output				t _{CKH}	4.5 to 5.5	1.0		T _{CYC}	
	Rise and fall time	Data output				t _{CKR} t _{CKF}	4.5 to 5.5			0.1	μs
Serial input	Data setup time	t _{ICK}	SI0, SI1	Refer to Figure 5 (timings). Time periods based on the SCK0 and SCK1 clock rising edges(↑).	4.5 to 5.5	0.3		μs			
	Data HOLD time	t _{CKI}			4.5 to 5.5	0.3		μs			
Serial output	Output delay time	t _{CKO}	SO0, SO1	Refer to Figure 5 (timings) and Figure 6 (test load). Time period based on the SCK0 and SCK1 clock falling edges(↓).	4.5 to 5.5		0.3	μs			
Pulse input conditions	INT0 high-level and low-level pulse width	t _{I0H} t _{I0L}	INT0	· With INT0 interrupt request input acceptable · With event counter (timer 0) input or pulse width measuring input acceptable			2		T _{CYC}		
	High-level and low-level pulse width (INT0 not included)	t _{I1H} t _{I1L}	INT1, INT2, INT3, INT4, INT5	Refer to Figure 7. · With interrupt request inputs acceptable	4.5 to 5.5		2		T _{CYC}		
	PIN1 high-level and low-level pulse width	t _{P1NH} t _{P1NL}	PIN1	· With event counter (timer 1) input acceptable			2		T _{CYC}		
	RES high-level and low-level pulse width	t _{RSH} t _{RSL}	RES	· With reset request acceptable			3		T _{CYC}		
Comparator response speed	t _{RS}	PD	Refer to Figure 8.		4.5 to 5.5			30	μs		
Current drain during basis operation mode	I _{DD OP}	V _{DD}	4 MHz ceramic resonator oscillation		4.5 to 5.5		4.5	8	mA	8	
			4 MHz external clock source				6.5	11	mA		
			RC oscillation				4.0	8	mA		

Continued on next page.

LC66E516

Continued from preceding page.

Parameter	symbol	Pin applicable	Conditions	Limits			Unit	Note
				V _{DD} (V)	min	typ		
Current drain during HALT operation mode	I _{DDHALT}	V _{DD}	4 MHz ceramic resonator oscillation	4.5 to 5.5		2.5	4.5	mA
			4 MHz external clock source			3.5	6.0	mA
			RC oscillation			2.5	4.5	mA
Current drain during HOLD operation mode	I _{DDHOLD}	V _{DD}		1.8 to 5.5		0.01	10	μA

- Note 1: Applicable to the case where input/output common ports have been set to open-drain output circuit type and the output Nch transistors have been in OFF state. Note that the input/output common ports cannot be used as the input port if they have been set to the CMOS output circuit type.
- Note 2: Applicable to the case where input/output common ports have been set to open-drain output circuit type and the output Nch transistors have been in OFF state. If the pull-up transistor output circuit type has been employed, please refer to the value listed in the output pull-up current column (IPO). Note that input/output common ports cannot be used as the input ports if they have been set to the CMOS output circuit type.
- Note 3: Applicable to the case where the ports have been set to the CMOS output circuit type and the output Nch transistors have been in OFF state. Also applicable to the P8 pin as far as it has been set to the Pch open-drain output circuit type.
- Note 4: Applicable to the case where the ports have been set to the pull-up resistor output circuit type and the output Nch transistors have been in OFF state.
- Note 5: Applicable to the case where the P8 pin has been set to the CMOS output circuit type.
- Note 6: Applicable to the case where the ports have been set to the open-drain output circuit type and the output Nch transistors have been in OFF state.
- Note 7: Applicable to the case where the port has been set to the open-drain output circuit type and the output Pch transistor has been in OFF state.
- Note 8: Reset mode.

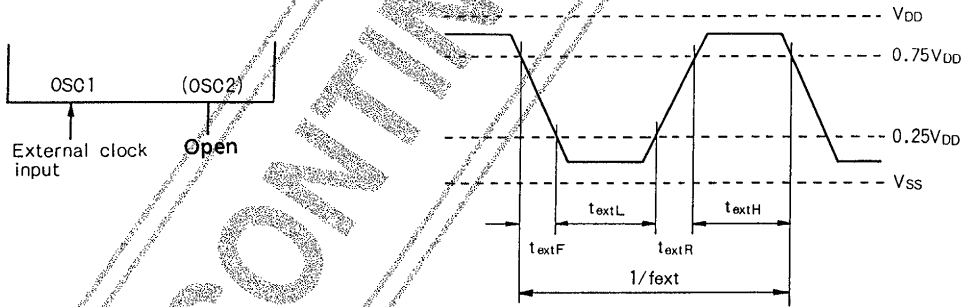


Figure 1. External clock input waveform

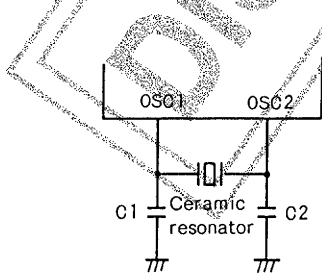


Figure 2. Ceramic resonator oscillation circuit

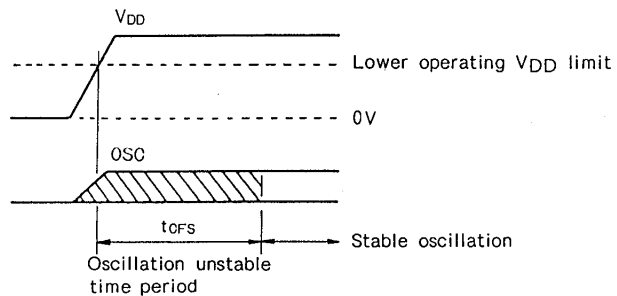


Figure 3. Oscillation stabilization time

Capacitance (external)	4 MHz (Murata) CSA4.00MG	C1	33pF±10%
		C2	33pF±10%
	4 MHz (Kyocera) KBR4.0MS	C1	33pF±10%
		C2	33pF±10%
Capacitance (internal)	4 MHz (Murata) CST4.00MG		
	4 MHz (Kyocera) KBR-4.0MES		

Table 1. Ceramic resonator oscillation constants (recommended)

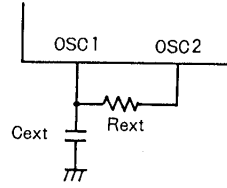


Figure 4. RC oscillation

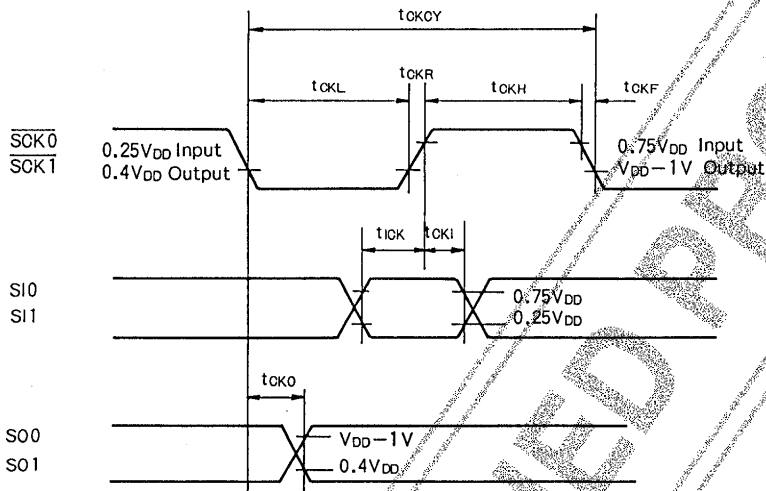


Figure 5. Serial input/output timings

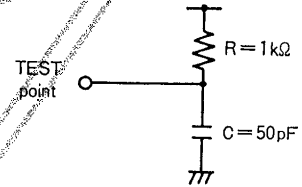


Figure 6. Timing load

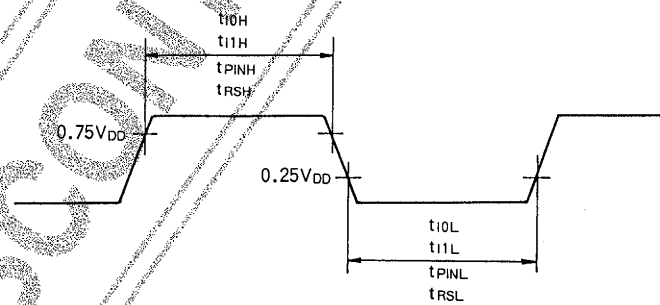


Figure 7. Input timings for INT0, INT1, INT2, INT3, INT4, INT5, PIN1 and RES

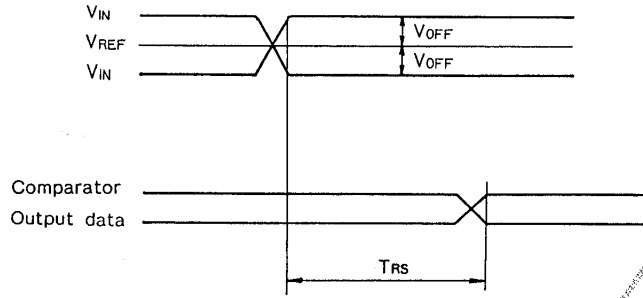


Figure 8. Comparator response speed (TRS) and output timing

LC66E516 RC oscillation characteristics

Figure 9 shows the RC oscillation characteristics of the LC66E516 microcontroller. The RC oscillation frequency range that can be guaranteed is shown below with the external constants and other conditions:

$$2.0\text{MHz} \leq \text{fRC} \leq 4.0\text{MHz}$$

External constants --- Cext = 100pF and Rext = 2.2kΩ
 Ta = 10°C to 40°C and VDD = 4.5V to 5.5V

If you are to employ the external constants other than the above, the Rext and the Cext should be within the range between T.B.D kΩ and T.B.D kΩ, and between T.B.D pF and T.B.D pF, respectively. Please take a close look at the figure below. Note 10: With VDD = 4.5V to 5.5V and Ta = 10°C to 40°C, the oscillation frequency to be selected should meet the requirement that the operating frequencies in the range between 0.4MHz and 4.3MHz must be provided without fail.

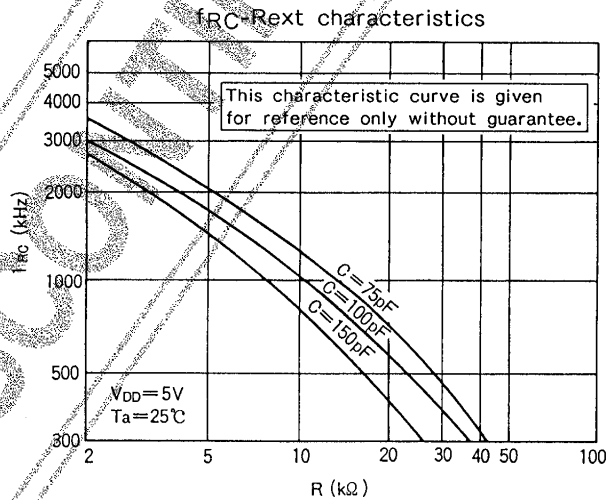


Figure 9. RC oscillation frequency reference values

LC66E516

Series Lineup

Type Number	Pins	ROM capacity	RAM cap	Package	Features
LC66304A/306A/308A	42	4K/6K/8KB	512W	DIP42S QFP48E	Normal version 4.0 to 6.0V/0.92μs
LC66404A/406/408A	42	4K/6K/8KB	512W	DIP42S QFP48E	
LC66506B/508B/512B/516B	64	6K/8K/12K/16KB	512W	DIP64S QFP64A	Low voltage version 2.2 to 5.5V/0.92μs
LC66354A/356A/358A	42	4K/6K/8KB	512W	DIP42S QFP48E	
LC66354S/356S/358S *	42	4K/6K/8KB	512W	QFP44M	
LC66556A/558A/562A/566A	64	6K/8K/12K/16KB	512W	DIP64S QFP64E	Low voltage, high-speed version 3.0 to 5.5V/0.92μs
LC66354B/356B/358B	42	4K/6K/8KB	512W	DIP42S QFP48E	
LC66556B/558B	64	6K/8KB	512W	DIP64S QFP64E	
LC66562B/566B	64	12K/16KB	512W	DIP64S QFP64E	
LC66E308	42	EPROM 8KB	512W	DIC42S* QFC48*	Evaluation-use windowed version & one-time version 4.5 to 5.5V/0.92μs
LC66P308	42	OTPROM 8KB	512W	DIP42S QFP48E	
LC66E408	42	EPROM 8KB	512W	DIC42S* QFC48*	*:with window
LC66P408	42	OTPROM 8KB	512W	DIP42S QFP48E	
LC66E516	64	EPROM 16KB	512W	DIC64S* QFC64*	
LC66P516	64	OTPROM 16KB	512W	DIP64S QFP64E	

*Note : Under development

- Specifications of any and all SANYO products described or contained herein stipulate the performance, characteristics, and functions of the described products in the independent state, and are not guarantees of the performance, characteristics, and functions of the described products as mounted in the customer's products or equipment. To verify symptoms and states that cannot be evaluated in an independent device, the customer should always evaluate and test devices mounted in the customer's products or equipment.
- SANYO Electric Co., Ltd. strives to supply high-quality high-reliability products. However, any and all semiconductor products fail with some probability. It is possible that these probabilistic failures could give rise to accidents or events that could endanger human lives, that could give rise to smoke or fire, or that could cause damage to other property. When designing equipment, adopt safety measures so that these kinds of accidents or events cannot occur. Such measures include but are not limited to protective circuits and error prevention circuits for safe design, redundant design, and structural design.
- In the event that any or all SANYO products (including technical data, services) described or contained herein are controlled under any of applicable local export control laws and regulations, such products must not be exported without obtaining the export license from the authorities concerned in accordance with the above law.
- No part of this publication may be reproduced or transmitted in any form or by any means, electronic or mechanical, including photocopying and recording, or any information storage or retrieval system, or otherwise, without the prior written permission of SANYO Electric Co., Ltd.
- Any and all information described or contained herein are subject to change without notice due to product/technology improvement, etc. When designing equipment, refer to the "Delivery Specification" for the SANYO product that you intend to use.
- Information (including circuit diagrams and circuit parameters) herein is for example only ; it is not guaranteed for volume production. SANYO believes information herein is accurate and reliable, but no guarantees are made or implied regarding its use or any infringements of intellectual property rights or other rights of third parties.

This catalog provides information as of October, 2001. Specifications and information herein are subject to change without notice.