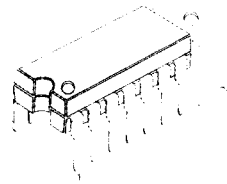


ONE-CHIP TAPE RECORDER SYSTEM

The KA2213 is a monolithic integrated circuit consisting of a preamplifier, ALC circuit, power amplifier in a 14-pin plastic dual in line package with heat sink.

14 DIP H/S



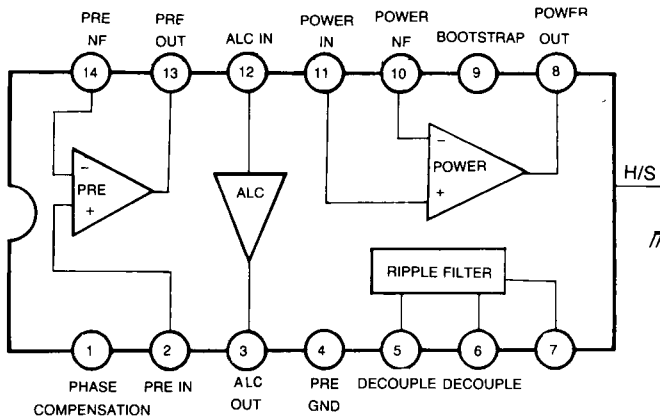
FEATURES

- Suitable for the play and recording functions of mono cassette tape recorders.
- Wide operating supply voltage range: $V_{CC} = 4V \sim 12V$
- High gain preamplifier and power amplifier.
- Output power of power amplifier state
 $P_o = 1W$ at $V_{CC} = 6V$, $R_L = 4\Omega$, THD = 10%.
- Soft tone quality at the time of output saturation.
- Wide ALC range and small variation in output voltage.
- Small shock noise at the time of power on/off due to built-in prevention circuit.
- Variable monitor capability due to recording amplifier consisting of preamplifier alone.
- Minimum number of external parts required.

ORDERING INFORMATION

Device	Package	Operating Temperature
KA2213	14 DIP H/S	-20°C ~ +70°C

BLOCK DIAGRAM



ABSOLUTE MAXIMUM RATINGS ($T_a = 25^\circ\text{C}$)

Characteristic	Symbol	Value	Unit
Supply Voltage	V_{CC}	13	V
Power Dissipation	P_D	1.2 2.25*	W W
Operating Temperature	T_{OPR}	-20 ~ +70	$^\circ\text{C}$
Storage Temperature	T_{STG}	-40 ~ +150	$^\circ\text{C}$

* Mounted and soldered on a 50mm x 50mm copper foil of PCB

ELECTRICAL CHARACTERISTICS

($T_a = 25^\circ\text{C}$, $V_{CC} = 6\text{V}$, $f = 1\text{KHz}$, unless otherwise specified)

Characteristic	Symbol	Test Conditions	Min	Typ	Max	Unit
Quiescent Circuit Current	I_{CCQ}	$V_{CC} = 6\text{V}$, $V_I = 0$		18	30	mA
		$V_{CC} = 9\text{V}$, $V_I = 0$		23	40	mA
Pre Amplifier						
Open Loop Voltage Gain	G_{VO}	Open loop		85		dB
Closed Loop Voltage Gain	G_{VC}	Closed loop, Play		40		dB
Output Voltage	V_O	THD=1%, Play	0.9	1.2		V
Input Resistance	R_i		21	30		K Ω
Equivalent Input Noise Voltage	V_{NI}	Play		1.0	2.0	μV
ALC Input Level	$V_{I(ALC)}$	THD = 1%, Rec	-20	-12		dBm
Power Amplifier						
Closed Loop Voltage Gain	G_{VC}	$R_F = 51\Omega$	43	45	47	dB
Output Power	P_O	$V_{CC} = 6\text{V}$, $R_L = 4\Omega$, THD=10%	0.7	1.0		W
		$V_{CC} = 7.5\text{V}$, $R_L = 4\Omega$, THD=10%	1.0	1.5		W
		$V_{CC} = 9\text{V}$, $R_L = 4\Omega$, THD=10%	1.7	2.2		W
Total Harmonic Distortion	THD	$P_O = 250\text{mW}$		0.3	1.5	%
Input Resistance	R_i			30		K Ω
Output Noise Voltage	V_{NO}	$R_G = 10\text{K}\Omega$		0.6	1.8	mV
Ripple Rejection Ratio	RR	$R_G = 0\Omega$, $V_R = 150\text{mV}$, $f = 100\text{Hz}$	40	45		dB

TEST CIRCUIT

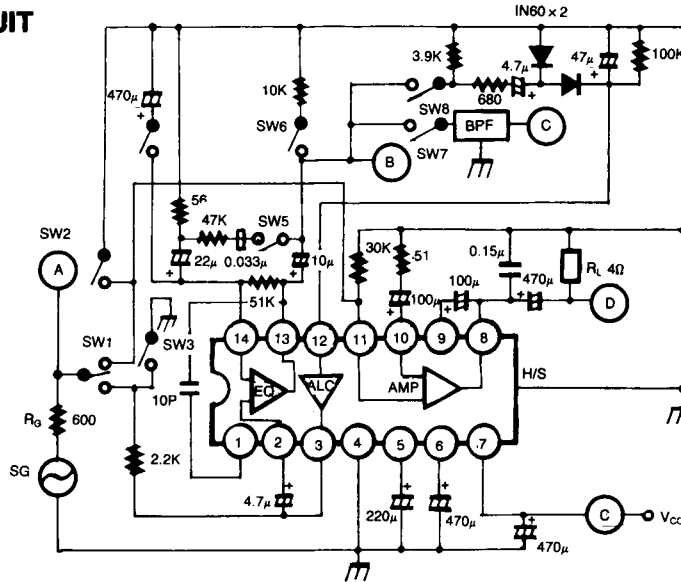


Fig. 2

TEST METHOD

Characteristic	SW1	SW2	SW3	SW4	SW5	SW6	SW7	SW8	Test Point	Test Method
Power Amplifier	I_{CCQ}		on	on	off	on	on	off	off	Test circuit current
	G_{VC}	2	off	off	off	on	on	off	off	A.D $G_{VC} = 20 \log V_O/V_I$ (dB)
	P_O	2	off	off	off	on	on	off	off	D Test output voltage at THD = 10%
	THD	2	off	off	off	on	on	off	off	D Test THD at output voltage $V_O = 1V$
	V_{NO}		on	off	off	on	on	off	off	D Test output noise voltage
Pre-Amplifier	RR		on	off	off	on	on	off	off	D $RR = 20 \log V_{RO}/150$ (dB) Test output ripple voltage (V_{RO})
	G_{VO}	1	off	off	on	off	on	off	off	A.B $G_{VO} = 20 \log V_O/V_I$ (dB)
	V_O	1	off	off	off	on	on	off	off	B Test output voltage at THD = 1%
	V_{NI}		off	on	off	on	on	on	off	C Convert output noise voltage at $R_G = 2.2K\Omega$, $V_{NI} = V_{NO}/G_V$
$V_{I(ALC)}$	1	off	off	off	off	off	off	on	A.B Test input voltage at THD = 1%	

TYPICAL APPLICATION CIRCUITS

1. Mono cassette tape recorder

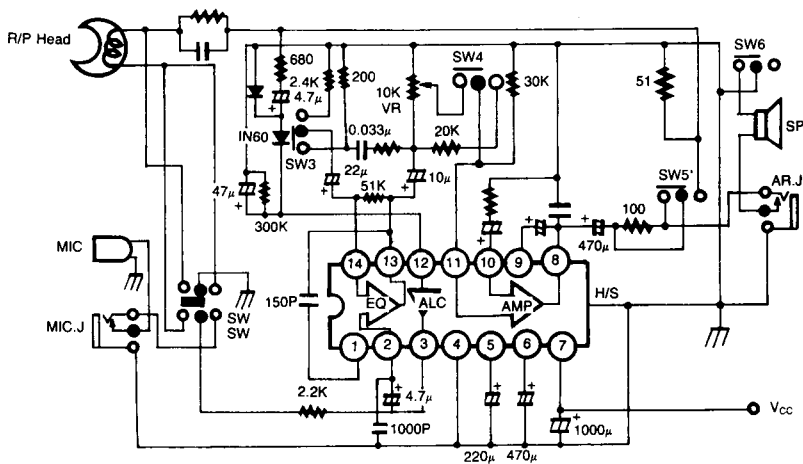


Fig. 3

2. Radio cassette tape recorder

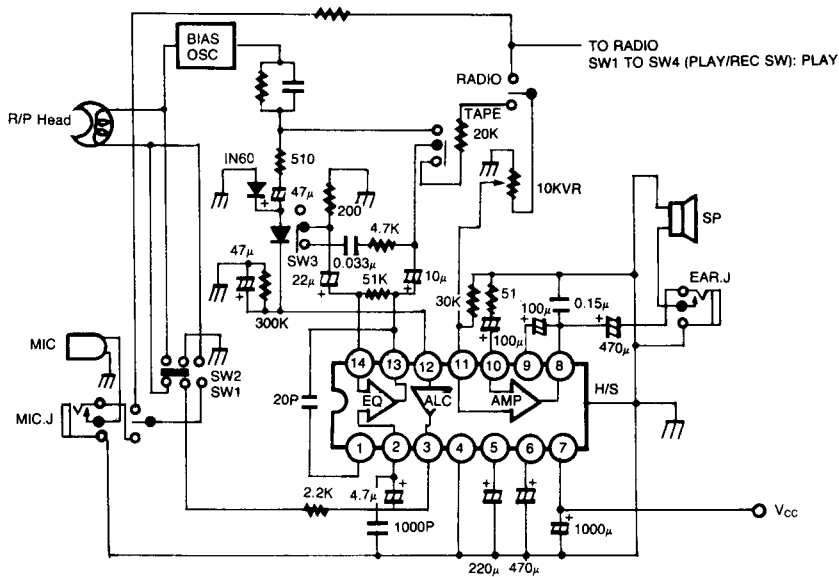


Fig. 4

3