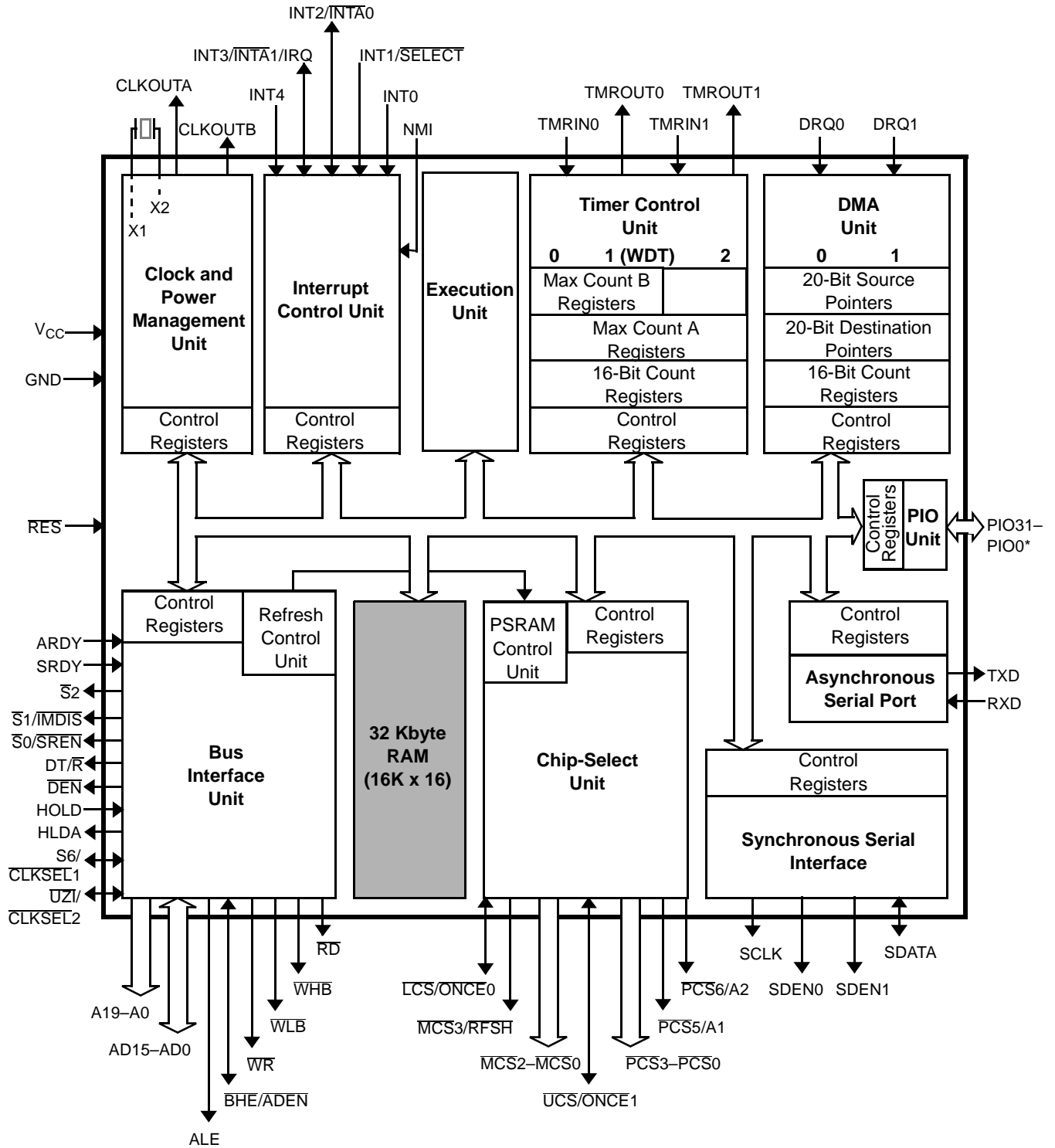


# Am186ER MICROCONTROLLER BLOCK DIAGRAM



**Note:**

\* All PIO signals are shared with other physical pins. See the pin descriptions beginning on page 26 and Table 2 on page 31 for information on shared functions.