

**PLEASE CHECK WWW.MOLEX.COM FOR LATEST PART INFORMATION**

**Part Number:** [0197234103](#)  
**Status:** **Active**  
**Description:** VibraKrimp™ Open Barrel Strip Snap Plug Receptacle with Strain Relief

**Documents:**

[Drawing \(PDF\)](#) [RoHS Certificate of Compliance \(PDF\)](#)

**General**

Product Family	Quick Disconnects
Series	<a href="#">19723</a>
Comments	Open Barrel
Crimp Quality Equipment	Yes
Product Name	VibraKrimp™
Type	Snap Plug

**Physical**

Barrel Type	Open
Gender	Female
Glow-Wire Compliant	No
Insulation	None
Lock to Mating Part	None
Material - Metal	Brass
Material - Plating Mating	Tin
Material - Plating Termination	Tin
Orientation	Straight
Packaging Type	Reel
Plating min: Mating (µin)	100
Plating min: Mating (µm)	2.5
Plating min: Termination (µin)	100
Plating min: Termination (µm)	2.5
Tab Thickness	N/A
Tab Width	N/A
Wire Insulation Diameter	N/A
Wire Size AWG	14, 16, 18

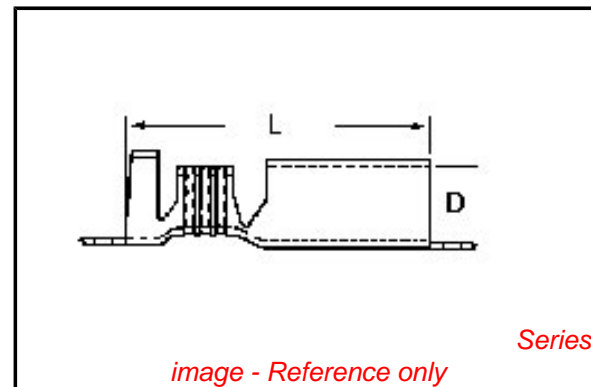
**Electrical**

Voltage - Maximum	N/A
-------------------	-----

**Material Info**

**Reference - Drawing Numbers**

Sales Drawing	SD-19723-002
---------------	--------------



**EU RoHS**

**ELV and RoHS  
Compliant**  
**REACH SVHC  
Contains SVHC: No**  
**Halogen-Free  
Status  
Not Reviewed**

**China RoHS**



**Need more information on product  
environmental compliance?**

Email [productcompliance@molex.com](mailto:productcompliance@molex.com)  
 For a multiple part number RoHS Certificate of  
 Compliance, [click here](#)

Please visit the [Contact Us](#) section for any  
 non-product compliance questions.

**Search Parts in this Series**

[19723Series](#)

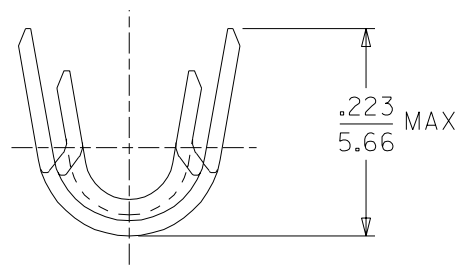
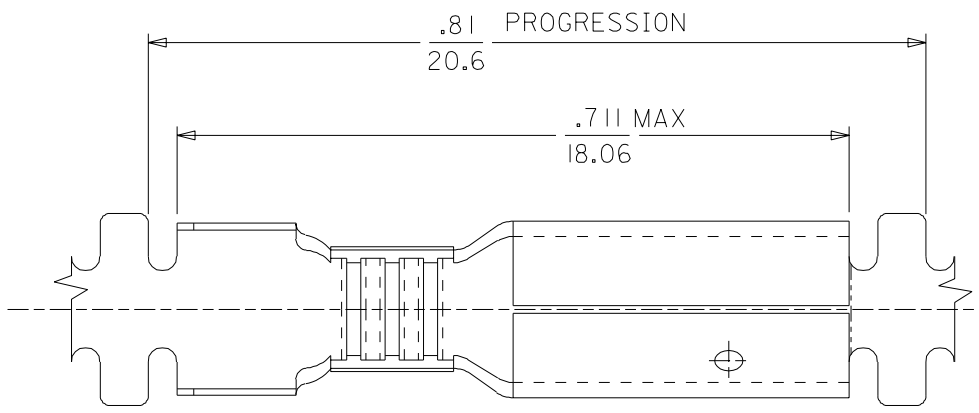
**Application Tooling | [FAQ](#)**

*Tooling specifications and manuals are  
 found by selecting the products below.  
 Crimp Height Specifications are then  
 contained in the Application Tooling  
 Specification document.*

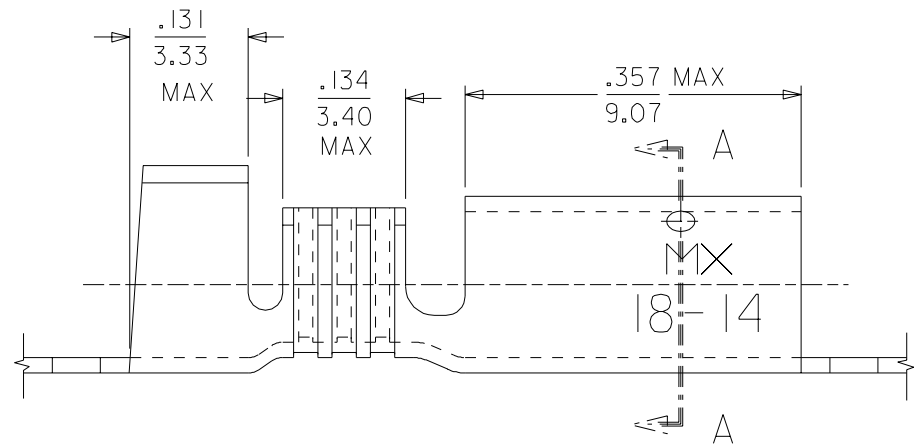
**Global**

Description	Product #
Rear Feed Mini-Mac Applicator for VibraKrimp™ Snap Male Plug Terminals, 14-18 AWG	<a href="#">0638026600</a>

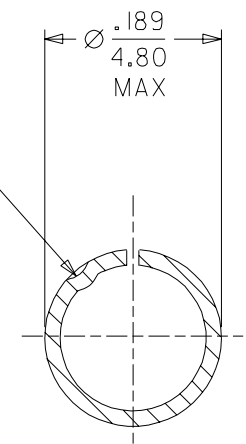
MATERIAL NO.	ENGINEERING NO.	DESCRIPTION	FINISH
197234100	19723-4100	CONTINUOUS STRIP WITH DIMPLE	UNPLATED
197234101	19723-4101	CONTINUOUS STRIP WITHOUT DIMPLE	
197234102	19723-4102	CONTINUOUS STRIP WITH DIMPLE	ELECTRO-TIN
197234103	19723-4103	CONTINUOUS STRIP WITHOUT DIMPLE	



BACKGROUND OMITTED FOR CLARITY



DIMPLE LOCATION OPTIONAL SEE CHART



SECTION A-A  
BACKGROUND OMITTED FOR CLARITY

SALES DRAWING

NOTES:  
1. MATERIA: BRASS.  
2. PLATING: SEE CHART.

NEW RELEASE EC NO. ETC2004-0035 DRWN: BRE 03/08/08 CHK: HEB 03/08/08 APPR: RWD 03/08/08	QUALITY SYMBOLS	GENERAL TOLERANCES: (UNLESS SPECIFIED)	SCALE 4:1	DESIGN UNITS <input type="checkbox"/> mm <input checked="" type="checkbox"/> INCH	THIRD ANGLE PROJECTION <input checked="" type="checkbox"/> THIRD ANGLE <input type="checkbox"/> FIRST ANGLE	DIMENSIONS: <input type="checkbox"/> mm <input checked="" type="checkbox"/> INCH <input type="checkbox"/> mm ONLY	SHT	REV
	MAJOR $\nabla=0$	mm	INCH	DRAWN BY & DATE	TITLE: SNAP PLUG RECEPTACLE			
	CRITICAL $\triangle=0$	4 PLACES $\pm 0.$	$\pm .$	BRE 03/08/07	.156 DIA VIBRAKRIMP			
		3 PLACES $\pm 0.$	$\pm .$	CHECKED BY & DATE	18-14 AWG CHAIN STAMPED			
	2 PLACES $\pm 0.$	$\pm .$	HEB 03/08/07	APPROVED BY & DATE				
	1 PLACE $\pm 0.$	$\pm .$	RWD 03/08/07	MOLEX INCORPORATED				
	ANGULAR: $\pm 1/2^\circ$		CAD FILENAME	MATERIAL NO.	DRAWING NO.	SHEET NO.		
A	REV	DRAFT WHERE APPLICABLE MUST REMAIN WITHIN DIMENSIONS	SD-19723-002 .DWG	SEE CHART	SD-19723-002	1 OF 1		
THIS DRAWING CONTAINS INFORMATION THAT IS PROPRIETARY TO MOLEX INCORPORATED AND SHOULD NOT BE USED WITHOUT WRITTEN PERMISSION.								
SIZE B								