

IT 3057-A Cable Clamp

IT 3057-16A F2

MIL-C-26482
Accessory

Basic Part Number
and Shell Size

Finish Options
(See Table II)

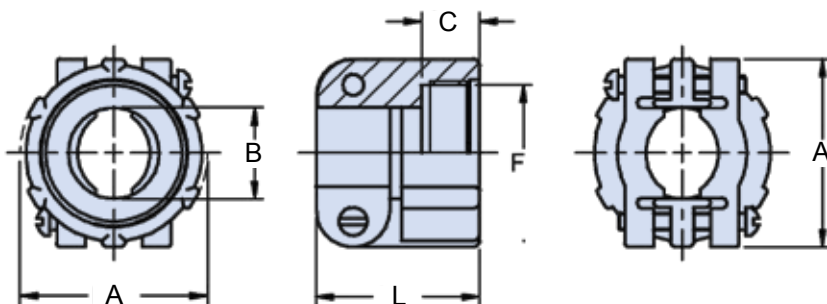


TABLE II:

Shell Finish

Omit for Standard Cad/Olive Drab Finish

F2 - Bright Nickel Plating (RoHs)

F6 - Black Electrodeposited Paint (RoHs)

F7 - Black Zn-Co Plating (RoHs)

F8 - Olive Drab Zn-Co Plating

APPLICATION NOTES

General duty cable clamp suitable for jacketed cable or wires protected by tubing.

TABLE I: DIMENSIONS

Commital P/N	Shell size	Sleeve to use	A	B	C	F Thread in inches	L
IT3057 - 3A	8	IT3420 - 3	18	6.8	10.2	0.5000 - 28UNEF	20.6
IT3057 - 4A	10	IT3420 - 4	25	8.2	10.2	0.6250 - 24UNEF	21.0
IT3057 - 6A	12	IT3420 - 6	27	11.2	10.2	0.7500 - 20UNEF	22.2
IT3057 - 8A	14	IT3420 - 8	28	14.2	10.2	0.8750 - 20UNEF	24.0
IT3057 - 10A	16	IT3420 - 10	33	16.0	10.2	1.0000 - 20UNEF	28.5
IT3057 - 12A	18	IT3420 - 12	35	19.0	10.2	1.1875 - 18NEF	24.0
IT3057 - 12A	20	IT3420 - 12	35	19.0	10.2	1.1875 - 18NEF	24.0
IT3057 - 16A	22	IT3420 - 16	43	23.8	10.5	1.4375 - 18NEF	26.0
IT3057 - 16A	24	IT3420 - 16	43	23.8	10.5	1.4375 - 18NEF	26.0