

PLEASE CHECK WWW.MOLEX.COM FOR LATEST PART INFORMATION

Part Number: [0353010250](#)
Status: **Active**
Description: 2.50mm (.098") Pitch SPOX™ Wire-to-Board Header, Vertical, Shrouded, Tube Packaged Version of 5267, 2 Circuits, Tin (Sn) Plating, with Swaged PC Tails

Documents:

[3D Model](#) [Product Specification PS-35301-001 \(PDF\)](#)
[Drawing \(PDF\)](#) [RoHS Certificate of Compliance \(PDF\)](#)

Agency Certification

CSA LR 19980
 UL E29179

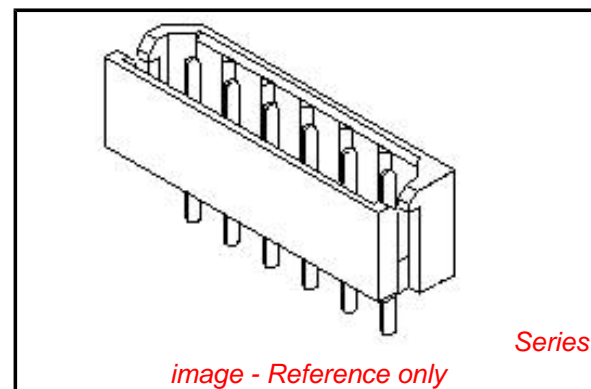
General

Product Family PCB Headers
 Series [35301](#)
 Application Wire-to-Board
 Product Name SPOX™

Physical

Breakaway No
 Circuits (Loaded) 2
 Circuits (maximum) 2
 Color - Resin Natural
 Durability (mating cycles max) 30
 First Mate / Last Break No
 Flammability 94V-0
 Glow-Wire Compliant No
 Guide to Mating Part No
 Keying to Mating Part None
 Lock to Mating Part Yes
 Material - Plating Mating Tin
 Material - Plating Termination Tin
 Material - Resin Nylon
 Number of Rows 1
 Orientation Vertical
 PCB Locator No
 PCB Retention Yes
 PCB Thickness Recommended (in) 0.062 In
 PCB Thickness Recommended (mm) 1.60 mm
 Packaging Type Tube
 Pitch - Mating Interface (in) 0.098 In
 Pitch - Mating Interface (mm) 2.50 mm
 Plating min: Mating (µin) 160
 Plating min: Mating (µm) 4
 Plating min: Termination (µin) 160
 Plating min: Termination (µm) 4
 Polarized to Mating Part Yes
 Polarized to PCB No
 Shrouded Partial
 Stackable No
 Surface Mount Compatible (SMC) No
 Temperature Range - Operating -40°C to +105°C
 Termination Interface: Style Through Hole

Electrical



EU RoHS

ELV and RoHS Compliant
REACH SVHC
 Not Reviewed
Halogen-Free Status

China RoHS



Not Halogen-Free

Need more information on product environmental compliance?

Email productcompliance@molex.com
 For a multiple part number RoHS Certificate of Compliance, [click here](#)

Please visit the [Contact Us](#) section for any non-product compliance questions.

Search Parts in this Series

[35301Series](#)

Mates With

[5264](#) SPOX™ Wire-to-Board Crimp Housing. [42219](#) SPOX™ IDT Receptacle Housing

Current - Maximum per Contact
Voltage - Maximum

3A
250V

Material Info

Reference - Drawing Numbers

Product Specification
Sales Drawing

PS-35301-001
SD-35301-001, SD-35301-012

This document was generated on 04/13/2010

PLEASE CHECK WWW.MOLEX.COM FOR LATEST PART INFORMATION

DWG. NO. SD-35301-001

SIMILAR ITEM

PROJECT NO.

5

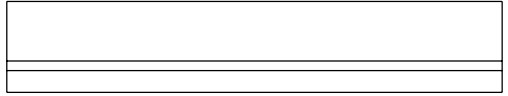
4

3

2

1

STICKER OR VINYL
(MOLEX LOGO SIDE)



← STOPPER

VIEW V

NOTES

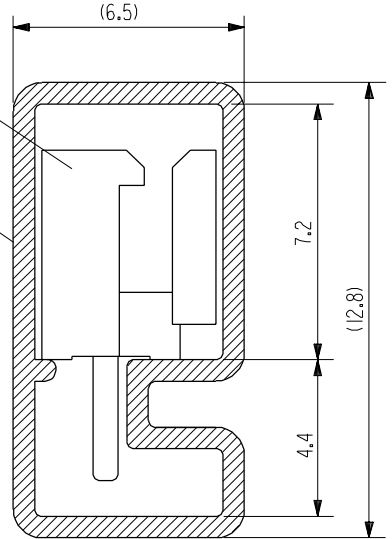
1. PACKING TYPE : STOPPER & STICKER LOCKING TYPE(GENERAL)
: VINYL & STOPPER LOCKING TYPE(FOR S/S)
2. THICKNESS : 0.6 †
3. LENGTH : 550 mm

LEGEND

35301- ** 5 *
 COLOR : 0 --- NATURAL
 1 --- BLACK
 2 --- RED
 3 --- YELLOW
 4 --- BLUE
 CKT (02 , 03 , 04)

5267-NAX SERIES

35900-0014



15	35301-155*	35301155*	10
14	-145*	35301145*	10
13	-135*	35301135*	15
12	-125*	35301125*	15
11	-115*	35301115*	15
10	-105*	35301105*	15
9	-095*	35301095*	20
8	-085*	35301085*	20
7	-075*	35301075*	25
6	-065*	35301065*	30
5	-055*	35301055*	35
4	-045*	35301045*	40
3	-035*	35301035*	50
2	35301-025*	35301025*	70
CKTS	ENG. NO.	MAT'L NO.	Q'TY/TUBE

NEW RELEASED EC NO. KOR2001-0048 DRWN: K.S.KIM (011130) CHK: J.K.OH APPR: C.W.LEE	QUALITY SYMBOLS MAJOR = CRITICAL =	GENERAL TOLERANCES: (UNLESS SPECIFIED)		SCALE NONE	DESIGN UNITS <input checked="" type="checkbox"/> mm <input type="checkbox"/> INCH	THIRD ANGLE PROJECTION	DIMENSIONS: <input type="checkbox"/> mm <input type="checkbox"/> INCH <input checked="" type="checkbox"/> mm ONLY		SHT	REV
		4 PLACES	±0.	±.	DRAWN BY & DATE K.S.KIM (011130)	TITLE: TUBE PACKAGED FOR 5267-NAX SERIES				
DESCRIPTION REV	A	3 PLACES	±0.	±.	CHECKED BY & DATE J.K.OH	MOLEX INCORPORATED KOREA				
		2 PLACES	±0.	±.	APPROVED BY & DATE C.W.LEE	MATERIAL NO. SEE TABLE	DRAWING NO. SD-35301-001	SHEET NO. 1 OF 1		
		1 PLACE	±0.4	±.	CAD FILENAME SD35301A.dgn	THIS DRAWING CONTAINS INFORMATION THAT IS PROPRIETARY TO MOLEX INCORPORATED AND SHOULD NOT BE USED WITHOUT WRITTEN PERMISSION.				SIZE A
		ANGULAR: ± 3 °		DRAFT WHERE APPLICABLE MUST REMAIN WITHIN DIMENSIONS						MX-A4

5

4

3

2

MX-A4

DWG. NO.

SIMILAR ITEM

PROJECT NO.

B

DO NOT SCALE DRAWING
DIMENSION IN METRIC

8 7 6 5 4 3 2 1

F

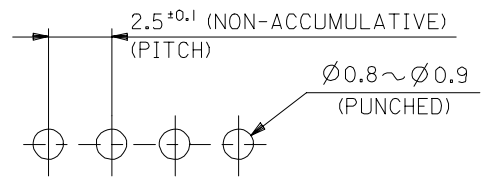
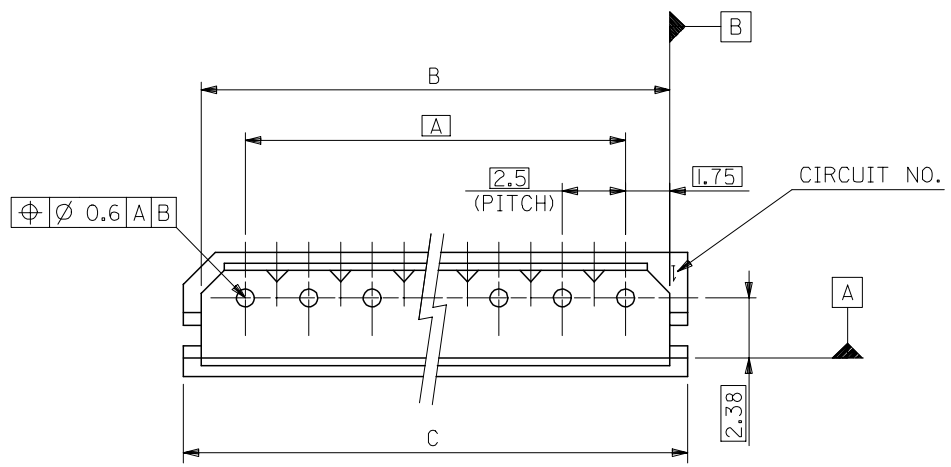
E

D

C

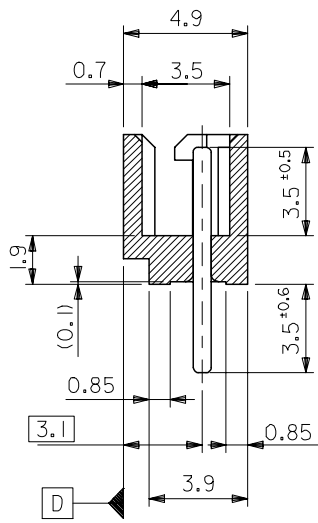
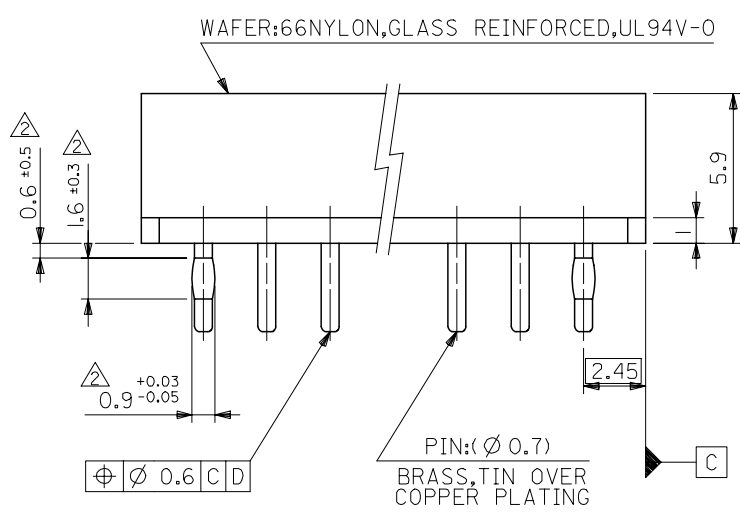
B

A



RECOMMENDED P.C.BOARD HOLE DIM.
(t=1.6)

NOTES:
I. MATES WITH : 5264 SERIES.
△ APPLIES : PIN, BOTH ENDS



39.9	38.5	35	99-99-0999	5267-15A-X	35301-1550	15
37.4	36	32.5	-0998	-14A-X	35301-1450	14
34.9	33.5	30	-0997	-13A-X	35301-1350	13
32.4	31	27.5	-0996	-12A-X	35301-1250	12
29.9	28.5	25	-0995	-11A-X	35301-1150	11
27.4	26	22.5	-0994	-10A-X	35301-1050	10
24.9	23.5	20	-0993	-09A-X	35301-0950	9
22.4	21	17.5	-0992	-08A-X	35301-0850	8
19.9	18.5	15	-0991	-07A-X	35301-0750	7
17.4	16	12.5	-0990	-06A-X	35301-0650	6
14.9	13.5	10	-0989	-05A-X	35301-0550	5
12.4	11	7.5	-0988	-04A-X	35301-0450	4
9.9	8.5	5	-0987	-03A-X	35301-0350	3
7.4	6	2.5	99-99-0986	5267-02A-X	35301-0250	2
C	B	A	EDP NO.	ENG NO.	ENG NO.	NO OF CKT.
			APPLIED CONNECTOR			

ANGLE	±3°
30 OVER	±0.3
10 OVER 30 UNDER	±0.25
10 UNDER	±0.2
GENERAL TOLERANCES	

NEW RELEASED
ECN NO. KOR2008-0082
DRWN: K.S.KIM (060102)
CHK: Y.SooKIM
APPR: SH.CHOI

QUALITY SYMBOLS
MAJOR
CRITICAL

GENERAL TOLERANCES: (UNLESS SPECIFIED)	
m/m	INCH
4 PLACES	±0. ±-
3 PLACES	±0. ±-
2 PLACES	±0. ±-
1 PLACE	±0. ±-
ANGULAR: ± °	
DRAFT WHERE APPLICABLE MUST REMAIN WITHIN DIMENSIONS	

SCALE 5:1 DESIGN UNITS m/m INCH

THIRD ANGLE PROJECTION m/m INCH m/m ONLY

TITLE: 2.5 LOW PROFILE WAFER ASS'Y WITH COIN

MOLEX INCORPORATED

CAD FILENAME MATERIAL NO. DRAWING NO. SD-35301-012 SHEET NO. 1 OF 1

THIS DRAWING CONTAINS INFORMATION THAT IS PROPRIETARY TO MOLEX INCORPORATED AND SHOULD NOT BE USED WITHOUT WRITTEN PERMISSION.

SIZE B