



Micro Commercial Components



Micro Commercial Components
20736 Marilla Street Chatsworth
CA 91311
Phone: (818) 701-4933
Fax: (818) 701-4939

BD433/BD435/BD437

Features

- Lead Free Finish/RoHS Compliant (Note1) ("P" Suffix designates RoHS Compliant. See ordering information)
- Epoxy meets UL 94 V-0 flammability rating
- Moisture Sensitivity Level 1
- Intended for use in medium power near and switching applications
- With TO-126 package
- The complementary PNP type is BD434, BD436, BD438

NPN Silicon Power Transistors

Maximum Ratings

Symbol	Parameter	Rating	Unit		
V_{CEO}	Collector-Emitter Voltage	BD433 BD435 BD437	22 32 45	V	
	V_{CBO}	Collector-Base Voltage	BD433 BD435 BD437	22 32 45	V
		V_{EBO}	Emitter-Base Voltage	BD433 BD435 BD437	5.0
I_C			Collector Current	4.0	A
P_C	Collector power dissipation		1.25	W	
T_J	Junction Temperature	-55 to +150	°C		
T_{STG}	Storage Temperature	-55 to +150	°C		

Electrical Characteristics @ 25°C Unless Otherwise Specified

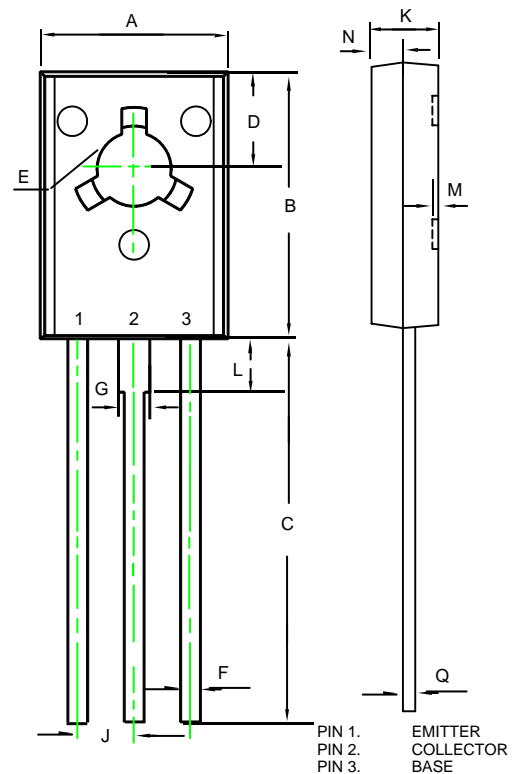
Symbol	Parameter	Min	Max	Units
--------	-----------	-----	-----	-------

OFF CHARACTERISTICS

$V_{(BR)CEO}$	Collector-Emitter Breakdown Voltage ($I_C=100mA$, $I_B=0$)	BD433 BD435 BD437	22 32 45	---	Vdc	
	$V_{(BR)CBO}$	Collector-Base Breakdown Voltage ($I_C=100\mu A$, $I_E=0$)	BD433 BD435 BD437	22 32 45	---	Vdc
		$V_{(BR)EBO}$	Emitter-Base Breakdown Voltage ($I_E=100\mu A$, $I_C=0$)	5	---	Vdc
I_{CBO}		Collector-Base Cutoff Current ($V_{CB}=22Vdc$, $I_E=0$)	BD433	---	1.0	μA
	I_{CEO}	Collector-Base Cutoff Current ($V_{CE}=22Vdc$, $I_E=0$)	BD433	---	10	μA
	I_{EBO}	Emitter-Base Cutoff Current ($V_{EB}=5.0Vdc$, $I_C=0$)	---	1.0	μA	

Notes: 1. High Temperature Solder Exemption Applied, see EU Directive Annex Notes 7.

TO-126



DIM	INCHES		MM		NOTE
	MIN	MAX	MIN	MAX	
A	0.291	0.307	7.40	7.80	
B	0.417	0.433	10.60	11.00	
C	0.602	0.618	15.30	15.70	
D	0.154	0.161	3.90	4.10	
E	0.118	0.126	3.00	3.20	
F	0.026	0.034	0.66	0.86	
G	0.046	0.054	1.17	1.37	
J	0.090TYP		2.290TYP		
K	0.098	0.114	2.50	2.90	
L	0.083	0.091	2.10	2.30	
M	0.000	0.012	0.00	0.30	
N	0.043	0.059	1.10	1.50	
Q	0.018	0.024	0.45	0.60	

ON CHARACTERISTICS

h_{FE-1}	DC Current Gain ($I_C=500\text{mA}$, $V_{CE}=1.0\text{Vdc}$)		85	---	---
h_{FE-2}	DC Current Gain ($I_C=10\text{mA}$, $V_{CE}=5.0\text{Vdc}$)	BD433/BD435 BD437	40 30	---	---
h_{FE-3}	DC Current Gain ($I_C=2\text{A}$, $V_{CE}=1.0\text{Vdc}$)	BD433/BD435 BD437	50 40	---	---
$V_{CE(sat)}$	Collector-Emitter Saturation Voltage ($I_C=2.0\text{A}$, $I_B=0.2\text{A}$)	BD433/BD435 BD437	0.5 0.6	---	Vdc
V_{BE}	Base-Emitter Voltage ($V_{CE}=1.0\text{Vdc}$, $I_C=2.0\text{A}$)	BD433/BD435 BD437	1.1 1.2	---	Vdc
f_T	Transition Frequency ($I_C=250\text{mA}$, $V_{CE}=1.0\text{Vdc}$)		3.0	---	MHz



Micro Commercial Components

Ordering Information :

Device	Packing
Part Number-BP	Bulk; 1Kpcs/Box

*****IMPORTANT NOTICE*****

Micro Commercial Components Corp. reserves the right to make changes without further notice to any product herein to make corrections, modifications, enhancements, improvements, or other changes. **Micro Commercial Components Corp.** does not assume any liability arising out of the application or use of any product described herein; neither does it convey any license under its patent rights, nor the rights of others. The user of products in such applications shall assume all risks of such use and will agree to hold **Micro Commercial Components Corp.** and all the companies whose products are represented on our website, harmless against all damages.

*****LIFE SUPPORT*****

MCC's products are not authorized for use as critical components in life support devices or systems without the express written approval of Micro Commercial Components Corporation.

*****CUSTOMER AWARENESS*****

Counterfeiting of semiconductor parts is a growing problem in the industry. Micro Commercial Components (MCC) is taking strong measures to protect ourselves and our customers from the proliferation of counterfeit parts. MCC strongly encourages customers to purchase MCC parts either directly from MCC or from Authorized MCC Distributors who are listed by country on our web page cited below. Products customers buy either from MCC directly or from Authorized MCC Distributors are genuine parts, have full traceability, meet MCC's quality standards for handling and storage. **MCC will not provide any warranty coverage or other assistance for parts bought from Unauthorized Sources.** MCC is committed to combat this global problem and encourage our customers to do their part in stopping this practice by buying direct or from authorized distributors.