

# HA16141P/FP, HA16142P/FP

PFC and PWM Controller

## HITACHI

ADE-204-036D (Z)

Preliminary

Rev. 4

Sep. 2001

---

### Description

The HA16141P/FP and the HA16142P/FP are power supply controller ICs combining an AC-DC converter switching controllers for power factor correction and off-line power supply switching controllers. PFC (Power factor correction) section employs average current mode PWM and off-line power supply control section employs peak current mode PWM.

The HA16142P/FP is the change version of HA16141P/FP's PWM maximum on duty cycle.

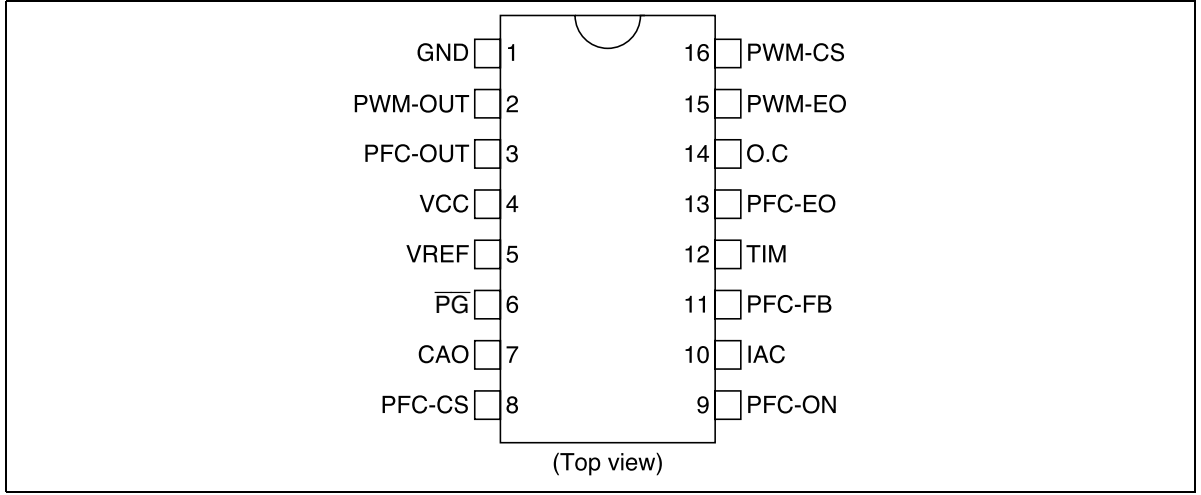
The PFC operation can be turned on and off by external control signal. Use of this on/off function makes it possible to disable PFC operation at a low line voltage, or to perform remote control operation from the transformer secondary side. The PFC power supply boosted output voltage is not only fed to an error amplifier input signal but also fed to as the boost voltage monitor circuit.  $\overline{\text{PG}}$  signal is put out if the boost voltage is out-of-spec.

The PWM controller, which begins operation at the same time as release of the IC's UVLO (under-voltage lockout) is suitable for auxiliary power supply use in a multi-output power supply system.

### Features

- Synchronized PFC and PWM timing
- Self oscillation with fixed frequency
  - PFC : 100 kHz ( $\pm 15\%$ )
  - PWM : 200 kHz ( $\pm 15\%$ )
- PFC function on/off control
- PFC boosted output voltage monitor
- High-output current gate drivers
  - PFC driver peak current :  $\pm 1.5$  A typ.
  - PWM driver peak current :  $\pm 1.0$  A typ.
- PWM maximum on duty cycle
  - 72% min (HA16141P/FP)
  - 49.5% max (HA16142P/FP)

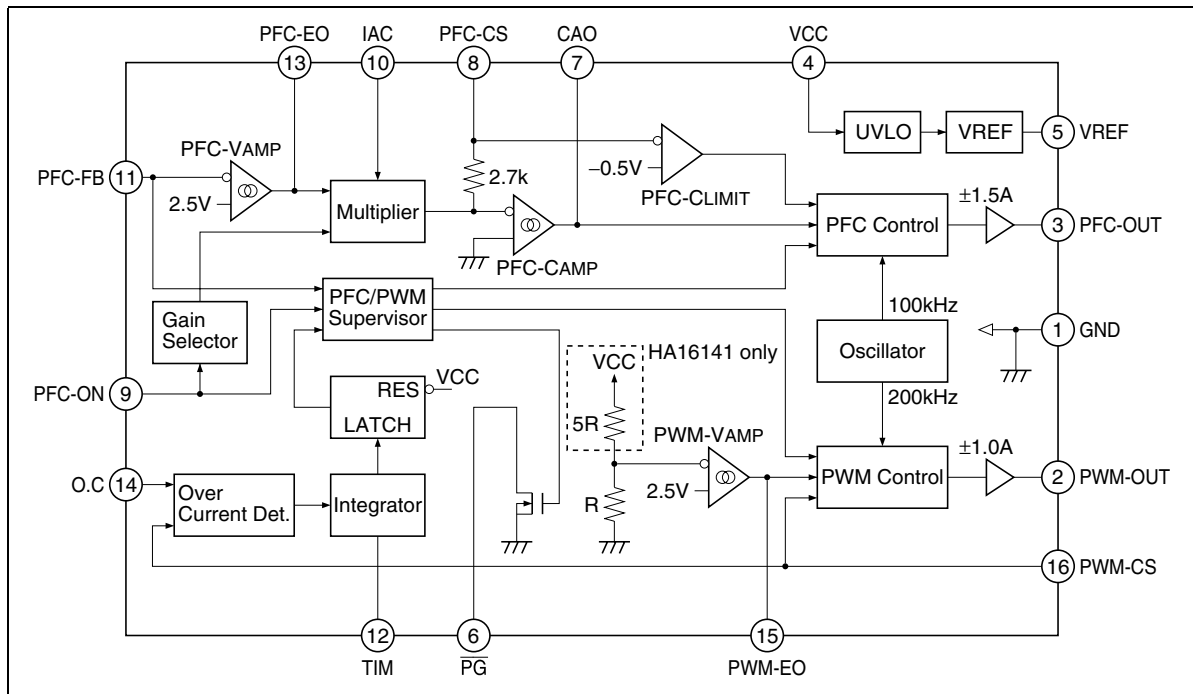
## Pin Arrangement



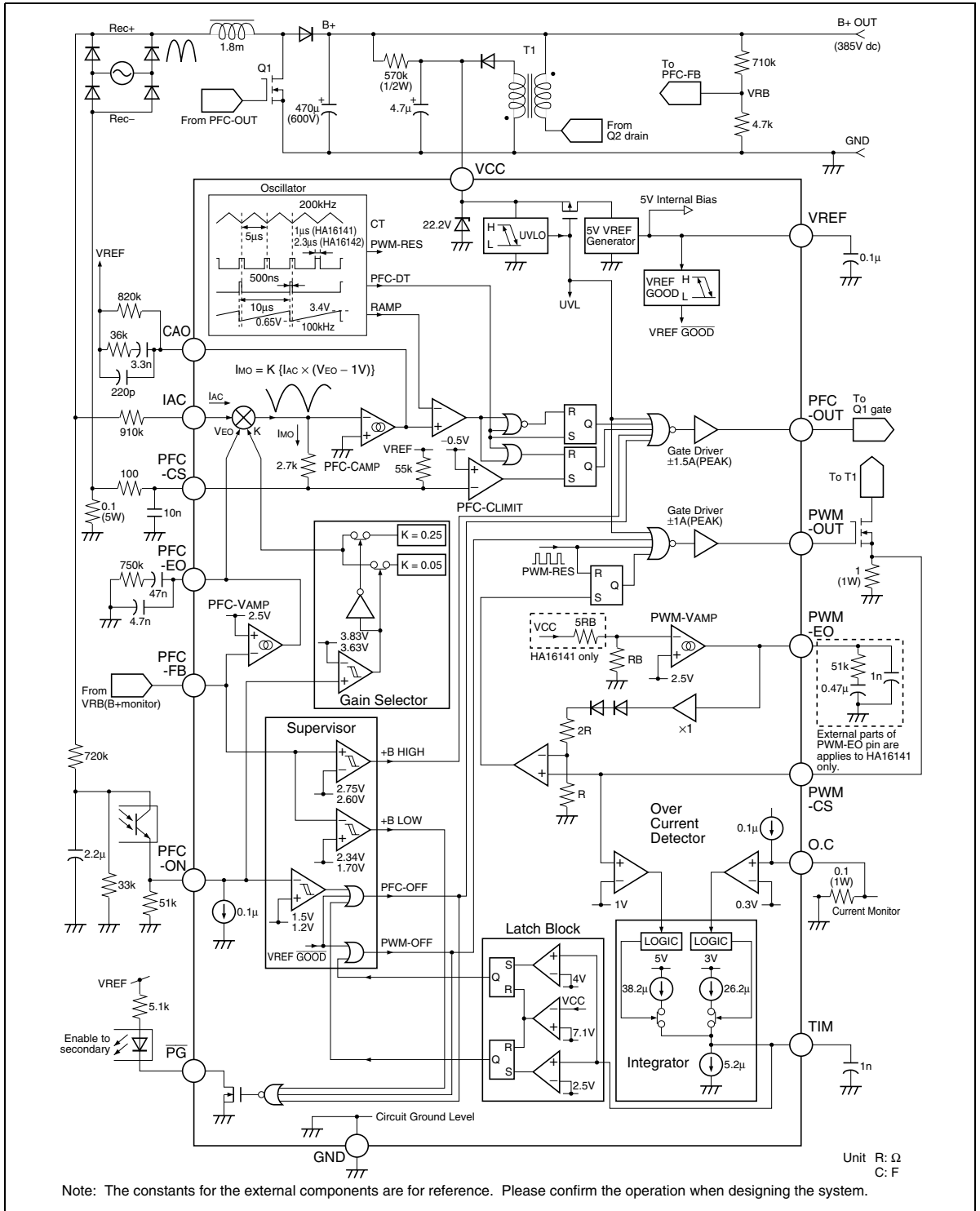
## Pin Description

| Pin No. | Symbol                 | Function  |
|---------|------------------------|---|
| 1       | GND                    | Ground  |
| 2       | PWM-OUT                | Power MOS FET driver output (PWM control)   |
| 3       | PFC-OUT                | Power MOS FET driver output (PFC control)   |
| 4       | VCC                    | Supply voltage  |
| 5       | VREF                   | Reference voltage   |
| 6       | $\overline{\text{PG}}$ | Power Good signal output (open-drain output)  |
| 7       | CAO                    | Average current control error amp. output   |
| 8       | PFC-CS                 | PFC control current sense signal input  |
| 9       | PFC-ON                 | PFC function on/off signal input  |
| 10      | IAC                    | Multiplier reference current input  |
| 11      | PFC-FB                 | PFC control error amp. input  |
| 12      | TIM                    | Overcurrent timer time setting  |
| 13      | PFC-EO                 | PFC control error amp. output   |
| 14      | O.C                    | Overcurrent detector signal input   |
| 15      | PWM-EO                 | PWM control error amp. output (photocoupler input also possible) (HA16141 only)<br>PWM control feedback voltage signal input (HA16142 only) |
| 16      | PWM-CS                 | PWM control current sense signal input  |

Block Diagram



## System Diagram



## Absolute Maximum Ratings

(Ta = 25°C)

| Item                   | Symbol              | Rating                      | Unit | Note |
|------------------------|---------------------|-----------------------------|------|------|
| Supply voltage         | V <sub>cc</sub>     | 20                          | V    |      |
| Peak PFC-OUT current   | I <sub>pk-pfc</sub> | ±1.5                        | A    | 3    |
| Peak PWM-OUT current   | I <sub>pk-pwm</sub> | ±1.0                        | A    | 3    |
| DC PFC-OUT current     | I <sub>dc-pfc</sub> | ±0.15                       | A    |      |
| DC PWM-OUT current     | I <sub>dc-pwm</sub> | ±0.10                       | A    |      |
| Terminal voltage       | Vi-group1           | -0.3 to V <sub>cc</sub>     | V    | 4    |
|                        | Vi-group2           | -0.3 to V <sub>ref</sub>    | V    | 5    |
| CAO voltage            | V <sub>cao</sub>    | -0.3 to V <sub>eh-ca</sub>  | V    |      |
| PFC-EO voltage         | V <sub>pfc-eo</sub> | -0.3 to V <sub>eh-pfc</sub> | V    |      |
| PWM-EO voltage         | V <sub>pwm-eo</sub> | -0.3 to V <sub>eh-pwm</sub> | V    |      |
| PFC-ON voltage         | V <sub>pfc-on</sub> | -0.3 to +7                  | V    |      |
| IAC voltage            | V <sub>i-ac</sub>   | -0.3 to +5                  | V    |      |
| IAC current            | I <sub>i-ac</sub>   | 0.8                         | mA   |      |
| PFC-CS voltage         | V <sub>i-cs</sub>   | -1.5 to +0.3                | V    |      |
| TIM voltage            | V <sub>i-tim</sub>  | -0.3 to +6                  | V    |      |
| VREF current           | I <sub>o-ref</sub>  | -20                         | mA   |      |
| P <sub>G</sub> voltage | V <sub>o-pg</sub>   | -0.3 to +7                  | V    |      |
| P <sub>G</sub> current | I <sub>o-pg</sub>   | 15                          | mA   |      |
| Power dissipation      | P <sub>T</sub>      | 1                           | W    | 6    |
| Operating temperature  | T <sub>opr</sub>    | -40 to +105                 | °C   |      |
| Storage temperature    | T <sub>stg</sub>    | -55 to +150                 | °C   |      |
| Junction temperature   | T <sub>j</sub>      | 150                         | °C   |      |

Notes: 1. Rated voltages are with reference to the GND pin.

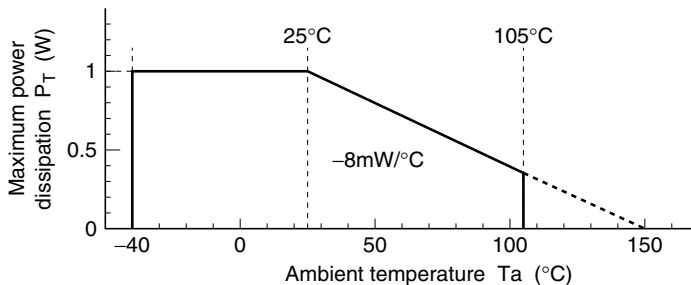
2. For rated currents, inflow to the IC is indicated by (+), and outflow by (-).

3. Shows the transient current when driving a capacitive load.

4. Group1 is the rated voltage for the following pins: PFC-OUT, PWM-OUT

5. Group2 is the rated voltage for the following pins: VREF, PFC-FB, PWM-CS

6. This is the value when the ambient temperature (Ta) is 25°C or below. If Ta exceeds 25°C, the graph below applies. For the SOP package, this value is based on actual measurements on a 10% wiring density glass epoxy circuit board (40 mm × 40 mm × 1.6 mm).



# HA16141P/FP, HA16142P/FP

## Electrical Characteristics

(Ta = 25°C, V<sub>CC</sub> = 14 V)

| Item                  | Symbol                   | Min                              | Typ              | Max  | Unit | Test Conditions           |   |
|-----------------------|--------------------------|----------------------------------|------------------|------|------|---------------------------|---|
| Supply                | Start threshold          | V <sub>H</sub>                   | 12.2             | 13.0 | 13.8 | V                         |   |
|                       | Shutdown threshold       | V <sub>L</sub>                   | 9.4              | 10.0 | 10.6 | V                         |   |
|                       | UVLO hysteresis          | dV <sub>UVL</sub>                | 2.6              | 3.0  | 3.4  | V                         |   |
|                       | Start-up current         | I <sub>S</sub>                   | 150              | 200  | 300  | μA                        | V <sub>CC</sub> = 12V                                     |
|                       | Is temperature stability | dI <sub>S</sub> /dT <sub>a</sub> | —                | -0.3 | —    | %/°C                      | *1  |
|                       | Operating current        | I <sub>CC</sub>                  | 4                | 7    | 9    | mA                        | IAC = 100μA, C <sub>L</sub> = 0F                          |
|                       | Latch current            | I <sub>LATCH</sub>               | 230              | 310  | 375  | μA                        | V <sub>CC</sub> = 9V                                      |
|                       | Shunt zener voltage      | V <sub>Z</sub>                   | 21.2             | 22.2 | 23.2 | V                         | I <sub>CC</sub> = 14mA                                    |
|                       | Vz temperature stability | dV <sub>Z</sub> /dT <sub>a</sub> | —                | +4   | —    | mV/°C                     | I <sub>CC</sub> = 14mA *1                                 |
| PFC-OUT               | Minimum duty cycle       | Dmin-pfc                         | —                | —    | 0    | %                         | CAO = 3.6V  |
|                       | Maximum duty cycle       | Dmax-pfc                         | 90               | 95   | 98   | %                         | CAO = 0V  |
|                       | Rise time                | t <sub>r-pfc</sub>               | —                | 30   | 100  | ns                        | C <sub>L</sub> = 1000p                                    |
|                       | Fall time                | t <sub>f-pfc</sub>               | —                | 30   | 100  | ns                        | C <sub>L</sub> = 1000p                                    |
|                       | Peak current             | I <sub>pk-pfc</sub>              | —                | 1.5  | —    | A                         | C <sub>L</sub> = 0.01μF *1                                |
|                       | Low voltage              | Vol1-pfc                         | —                | 0.05 | 0.2  | V                         | I <sub>out</sub> = 20mA                                   |
|                       |                          | Vol2-pfc                         | —                | 0.35 | 1.4  | V                         | I <sub>out</sub> = 200mA                                  |
|                       |                          | Vol3-pfc                         | —                | 0.03 | 0.7  | V                         | I <sub>out</sub> = 10mA, V <sub>CC</sub> = 5V             |
|                       | High voltage             | Voh1-pfc                         | 13.5             | 13.9 | —    | V                         | I <sub>out</sub> = -20mA                                  |
| Voh2-pfc              |                          | 12.6                             | 13.3             | —    | V    | I <sub>out</sub> = -200mA |   |
| PWM-OUT               | Minimum duty cycle       | Dmin-pwm                         | —                | —    | 0    | %                         | PWM-EO = 1.3V<br>PWM-CS = 0V                              |
|                       | Maximum duty cycle       | Dmax-pwm                         | 72               | 80   | 88   | %                         | PWM-EO = 5V<br>PWM-CS = 0V *2                             |
|                       |                          |                                  | 42.5             | 46   | 49.5 | %                         | PWM-EO = 5V<br>PWM-CS = 0V *3                             |
|                       | Rise time                | t <sub>r-pwm</sub>               | —                | 30   | 100  | ns                        | C <sub>L</sub> = 1000p                                    |
|                       | Fall time                | t <sub>f-pwm</sub>               | —                | 30   | 100  | ns                        | C <sub>L</sub> = 1000p                                    |
|                       | Peak current             | I <sub>pk-pwm</sub>              | —                | 1.0  | —    | A                         | C <sub>L</sub> = 0.01μF *1                                |
|                       | Low voltage              | Vol1-pwm                         | —                | 0.05 | 0.2  | V                         | I <sub>out</sub> = 20mA                                   |
|                       |                          | Vol2-pwm                         | —                | 0.5  | 2.0  | V                         | I <sub>out</sub> = 200mA                                  |
|                       |                          | Vol3-pwm                         | —                | 0.03 | 0.7  | V                         | I <sub>out</sub> = 10mA, V <sub>CC</sub> = 5V             |
|                       | High voltage             | Voh1-pwm                         | 13.5             | 13.9 | —    | V                         | I <sub>out</sub> = -20mA                                  |
|                       |                          | Voh2-pwm                         | 12.0             | 13.0 | —    | V                         | I <sub>out</sub> = -200mA                                 |
|                       | VREF                     | Output voltage                   | V <sub>ref</sub> | 4.9  | 5.0  | 5.1                       | V   |
| Line regulation       |                          | V <sub>ref-line</sub>            | —                | 5    | 20   | mV                        | I <sub>source</sub> = 1mA<br>V <sub>CC</sub> = 12V to 18V |
| Load regulation       |                          | V <sub>ref-load</sub>            | —                | 5    | 20   | mV                        | I <sub>source</sub> = 1mA to 20mA                         |
| Temperature stability |                          | dV <sub>ref</sub>                | —                | 80   | —    | ppm/°C                    | T <sub>a</sub> = -40 to 105°C *1                          |

- Note: 1. Design spec.  
2. Apply to HA16141.  
3. Apply to HA16142.

**Electrical Characteristics**

 (Ta = 25°C, V<sub>cc</sub> = 14 V) (cont.)

| Item                              |                                   | Symbol          | Min  | Typ   | Max  | Unit | Test Conditions   |
|-----------------------------------|-----------------------------------|-----------------|------|-------|------|------|---|
| Oscillator                        | Initial accuracy                  | fpwm            | 170  | 200   | 230  | kHz  | Measured pin: PWM-OUT   |
|                                   |                                   | fpfc            | 85   | 100   | 115  | kHz  | Measured pin: PFC-OUT   |
|                                   | fpwm temperature stability        | dfpwm/dTa       | —    | ±0.1  | —    | %/°C | Ta = -40 to 105°C *1  |
|                                   | fpwm voltage stability            | fpwm(line)      | -1.5 | +0.5  | +1.5 | %    | V <sub>cc</sub> = 12V to 18V                                    |
|                                   | Ramp peak voltage                 | Vramp-H         | —    | 3.4   | 3.6  | V    |   |
|                                   | Ramp valley volatge               | Vramp-L         | —    | 0.65  | —    | V    | *1  |
| PFC-ON                            | PFC on voltage                    | Von-pfc         | 1.3  | 1.5   | 1.7  | V    |   |
|                                   | PFC off voltage                   | Voff-pfc        | 1.0  | 1.2   | 1.4  | V    |   |
|                                   | PFC on-off hysteresis             | dVon-off        | 0.15 | 0.30  | 0.45 | V    |   |
|                                   | Input current                     | lpfc-on         | —    | 0.1   | 1.0  | μA   | PFC-ON = 2V   |
| Supervisor/<br>PG                 | PFC GOOD threshold voltage        | Vb-good         | 2.29 | 2.34  | 2.39 | V    | Input pin: PFC-FB   |
|                                   | PFC FAIL threshold voltage        | Vb-fail         | 1.66 | 1.70  | 1.74 | V    | Input pin: PFC-FB   |
|                                   | +B High PFC inhibit voltage       | Vb-h            | 2.69 | 2.75  | 2.81 | V    | Input pin: PFC-FB   |
|                                   | +B High PFC restart voltage       | Vb-res          | 2.54 | 2.60  | 2.66 | V    | Input pin: PFC-FB   |
|                                   | PG leak current                   | loff-pg         | —    | 0.001 | 1.0  | μA   | PG = 5V   |
|                                   | PG shunt current                  | lon-pg          | 5    | 15    | —    | mA   | PG = 3V *2  |
|                                   | Delay to PG                       | tg-pg           | —    | 0.2   | 1    | μs   | Step signal (5 to 0V) to PFC-ON                                 |
| O.C<br>(Over Current<br>Detector) | O.C threshold voltage             | V <sub>oc</sub> | 0.27 | 0.30  | 0.33 | V    |   |
|                                   | PWM-CS threshold voltage          | V <sub>cs</sub> | 0.9  | 1.0   | 1.1  | V    |   |
|                                   | O.C input current                 | I <sub>oc</sub> | —    | -0.1  | -1.0 | μA   | O.C = 0V  |
| Integrator                        | Sink current                      | Isnk-tim        | 3.9  | 5.2   | 6.5  | μA   | TIM = 2V  |
|                                   | Source current<br>O.C trigger     | Isrc-tim1       | -16  | -21   | -26  | μA   | TIM = 2V, O.C = 0.5V *1   |
|                                   | Source Current<br>PWM-CS trigger  | Isrc-tim2       | -25  | -33   | -41  | μA   | TIM = 2V, PWM-CS = 2V *1  |
|                                   | Integrated time<br>O.C trigger    | t-tim1          | 88   | 110   | 132  | μs   | Step signal (0 to 1V) to O.C, Ctim = 1000p, Measured pin: PG    |
|                                   | Integrated Time<br>PWM-CS trigger | t-tim2          | 53   | 67    | 81   | μs   | Step signal (0 to 2V) to PWM-CS, Ctim = 1000p, Measured pin: PG |

Notes: 1. Design spec.

2. Maximum rating of PG current is 15 mA. Use series resistor to limit PG current lower than 15 mA.

# HA16141P/FP, HA16142P/FP

## Electrical Characteristics

(Ta = 25°C, V<sub>CC</sub> = 14 V) (cont.)

| Item              |   | Symbol               | Min   | Typ   | Max   | Unit | Test Conditions                            |
|-------------------|---|----------------------|-------|-------|-------|------|--|
| Latch             | Threshold voltage for PFC stop              | Vlch-pfc             | 2.4   | 2.5   | 2.6   | V    | Input pin: TIM                             |
|                   | Threshold Voltage for PWM stop              | Vlch-sys             | 3.8   | 4.0   | 4.2   | V    | Input pin: TIM                             |
|                   | Latch Reset Voltage                         | Vcc-res              | 6.1   | 7.1   | 8.1   | V    |  |
| PWM-VAMP          | Feedback V <sub>CC</sub> voltage            | Vfb-pwm              | 14.2  | 14.8  | 15.4  | V    | PWM-EO = 2.5V *2                           |
|                   | Open loop gain                              | Av-pwm               | —     | 45    | —     | dB   | *1, *2                                     |
|                   | High voltage                                | Veoh-pwm             | 5.1   | 5.7   | 6.3   | V    | V <sub>CC</sub> = 14V,<br>PWM-EO: Open     |
|                   | Low voltage                                 | Veol-pwm             | —     | 0.1   | 0.3   | V    | V <sub>CC</sub> = 16V,<br>PWM-EO: Open *2  |
|                   | Source current                              | Isrc-pwm             | —     | -77   | —     | μA   | *1 V <sub>CC</sub> = 11V                   |
|                   | Sink current                                | Isnk-pwm             | —     | 77    | —     | μA   | *1 V <sub>CC</sub> = 18V *2                |
|                   | Transconductance respect to V <sub>CC</sub> | Gm-pwm               | 19    | 27    | 35    | μA/V | V <sub>CC</sub> = 15V,<br>PWM-EO = 2.5V *2 |
| PWM current sense | Delay to output                             | td-cs                | —     | 210   | 300   | ns   | PWM-EO = 5V,<br>PWM-CS = 0 to 2V           |
| PFC current limit | Threshold voltage                           | V <sub>LM</sub>      | -0.47 | -0.50 | -0.53 | V    |  |
|                   | Delay to output                             | td-LM                | —     | 280   | 500   | ns   | PFC-CS = 0 to -1V                          |
| PFC-VAMP          | Feedback voltage                            | Vfb-pfc              | 2.45  | 2.50  | 2.55  | V    | PFC-EO = 2.5V                              |
|                   | Input bias current                          | I <sub>fb</sub> -pfc | -0.30 | -0.07 | +0.30 | μA   | Measured pin: PFC-FB                       |
|                   | Open loop gain                              | Av-pfc               | —     | 65    | —     | dB   | *1   |
|                   | High voltage                                | Veoh-pfc             | 5.1   | 5.7   | 6.3   | V    | PFC-FB = 2.3V,<br>PFC-EO: Open             |
|                   | Low voltage                                 | Veol-pfc             | —     | 0.1   | 0.3   | V    | PFC-FB = 2.7V,<br>PFC-EO: Open             |
|                   | Source current                              | Isrc-pfc             | -62   | -77   | -93   | μA   | PFC-FB = 1.0V,<br>PFC-EO = 2.5V            |
|                   | Sink current                                | Isnk-pfc             | 62    | 77    | 93    | μA   | PFC-FB = 4.0V,<br>PFC-EO = 2.5V            |
|                   | Transconductance                            | Gm-pfcv              | 120   | 160   | 200   | μA/V | PFC-FB = 2.5V,<br>PFC-EO = 2.5V            |

- Note: 1. Design spec.  
2. Apply to HA16141.



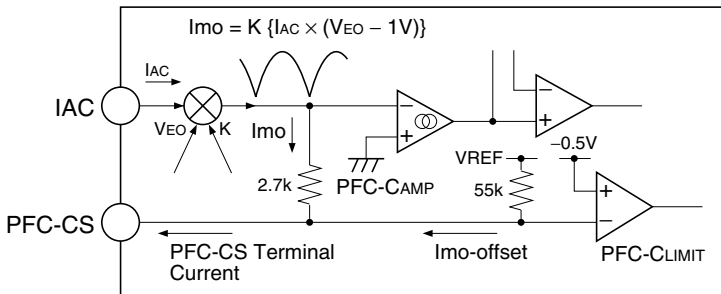
## Electrical Characteristics

(Ta = 25°C, V<sub>CC</sub> = 14 V) (cont.)

| Item               | Symbol                            | Min                    | Typ  | Max  | Unit | Test Conditions   |  |
|--------------------|-----------------------------------|------------------------|------|------|------|-------------------|--|
| PFC-CAMP           | Input offset voltage              | V <sub>io-ca</sub>     | —    | ±7   | —    | mV * <sup>1</sup> |  |
|                    | Open loop gain                    | A <sub>v-ca</sub>      | —    | 65   | —    | dB * <sup>1</sup> |  |
|                    | High voltage                      | V <sub>eh-ca</sub>     | 5.1  | 5.7  | 6.3  | V                 |  |
|                    | Low voltage                       | V <sub>el-ca</sub>     | —    | 0.1  | 0.3  | V                 |  |
|                    | Source current                    | I <sub>src-ca</sub>    | —    | -77  | —    | μA                | CAO = 2.5V * <sup>1</sup>                      |
|                    | Sink current                      | I <sub>snk-ca</sub>    | —    | 77   | —    | μA                | CAO = 2.5V * <sup>1</sup>                      |
|                    | Transconductance                  | G <sub>m-pfcc</sub>    | 120  | 160  | 200  | μA/V              | * <sup>1</sup>                                 |
| IAC/<br>Multiplier | IAC PIN voltage                   | V <sub>iac</sub>       | 0.7  | 1.0  | 1.3  | V                 | IAC = 100μA                                    |
|                    | Terminal offset current           | I <sub>mo-offset</sub> | -56  | -75  | -94  | μA                | IAC = 0A, PFC-CS = 0V,<br>Measured pin: PFC-CS |
|                    | Output current<br>(PFC-ON = 3.4V) | I <sub>mo1</sub>       | —    | -25  | —    | μA                | PFC-EO = 2V,<br>IAC = 100μA * <sup>1,*2</sup>  |
|                    |                                   | I <sub>mo2</sub>       | —    | -75  | —    | μA                | PFC-EO = 4V,<br>IAC = 100μA * <sup>1,*2</sup>  |
|                    | Output current<br>(PFC-ON = 3.9V) | I <sub>mo3</sub>       | —    | -5   | —    | μA                | PFC-EO = 2V,<br>IAC = 100μA * <sup>1,*2</sup>  |
|                    |                                   | I <sub>mo4</sub>       | —    | -15  | —    | μA                | PFC-EO = 4V,<br>IAC = 100μA * <sup>1,*2</sup>  |
|                    | PFC-CS resistance                 | R <sub>mo</sub>        | —    | 2.7  | —    | kΩ                | * <sup>1</sup>                                 |
| Gain<br>selector   | Threshold voltage<br>for K = 0.05 | V <sub>KH</sub>        | 3.71 | 3.83 | 3.95 | V                 |  |
|                    | Threshold voltage<br>for K = 0.25 | V <sub>KL</sub>        | 3.51 | 3.63 | 3.75 | V                 |  |
|                    | V <sub>k</sub> hysteresis voltage | dV <sub>k</sub>        | 0.15 | 0.20 | 0.25 | V                 | * <sup>1</sup>                                 |

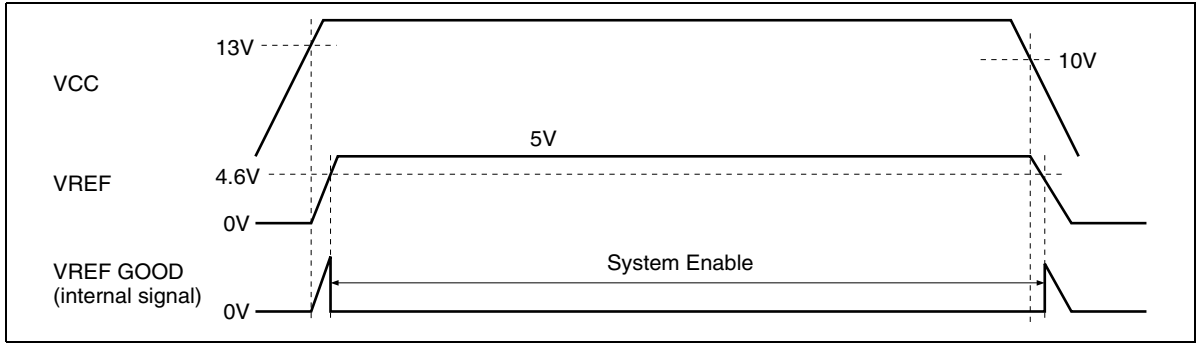
Notes: 1. Design spec.

2. I<sub>mo1</sub> to I<sub>mo4</sub> are defined as,  
I<sub>mo</sub> = (PFC-CS Terminal Current) - (I<sub>mo</sub>-offset)

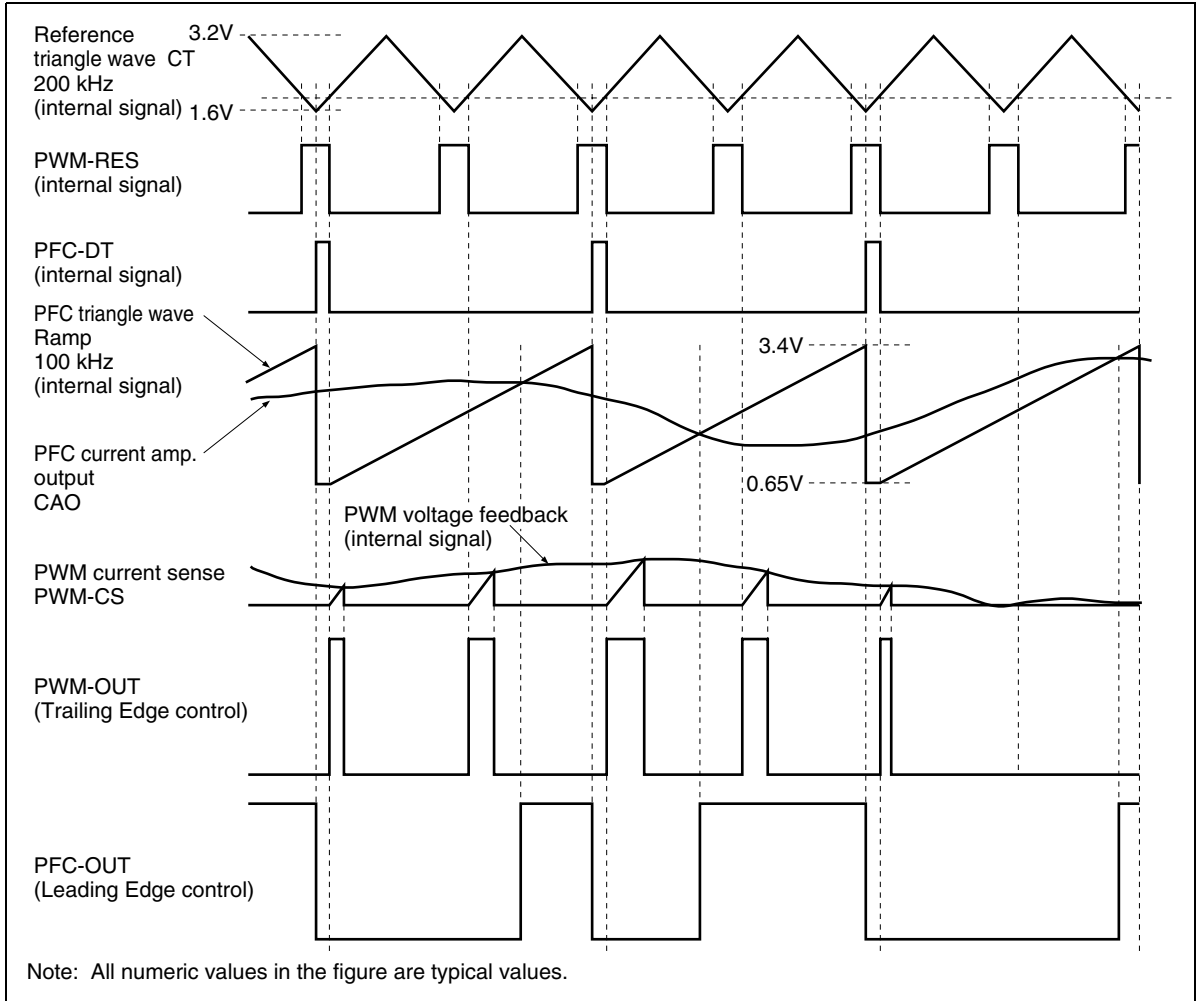


## Internal Timing

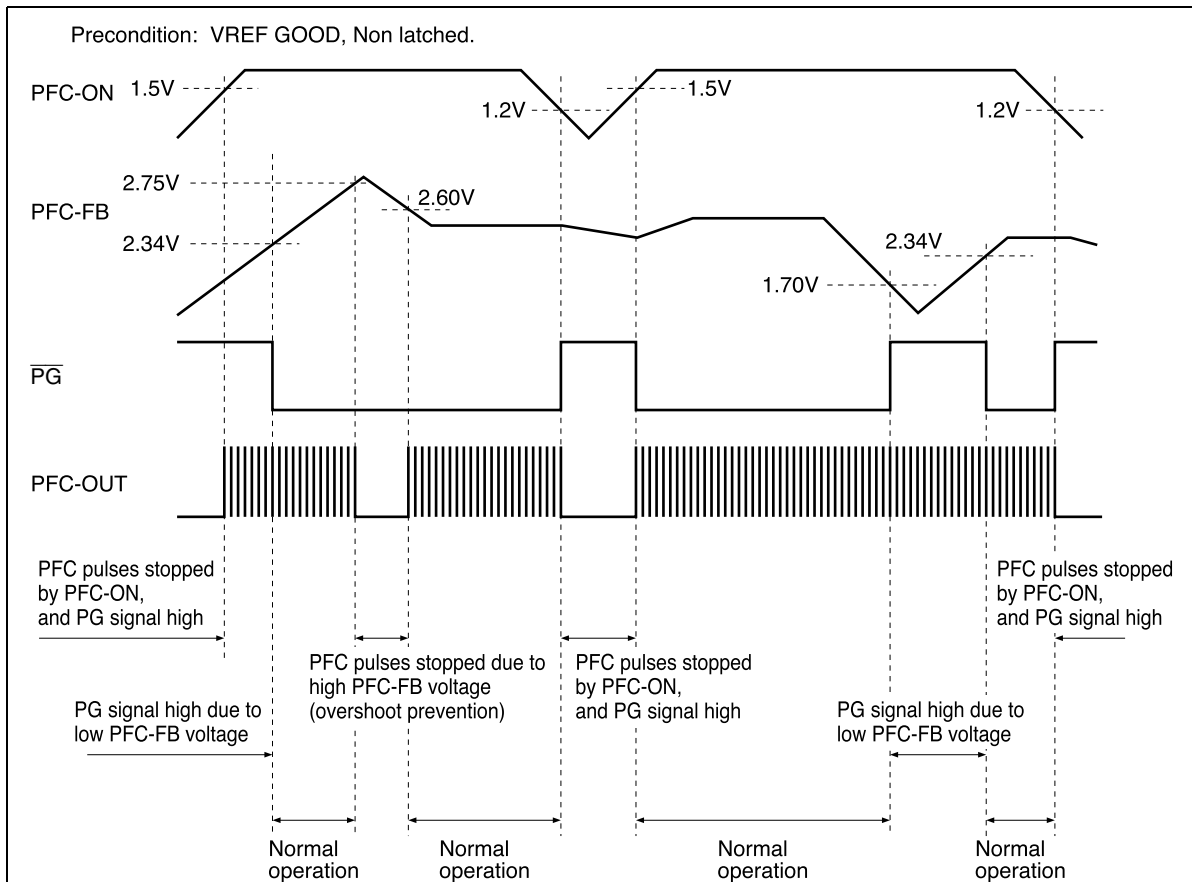
### 1. UVLO



### 2. Oscillator, Gate driver output



## 3. PFC controller status



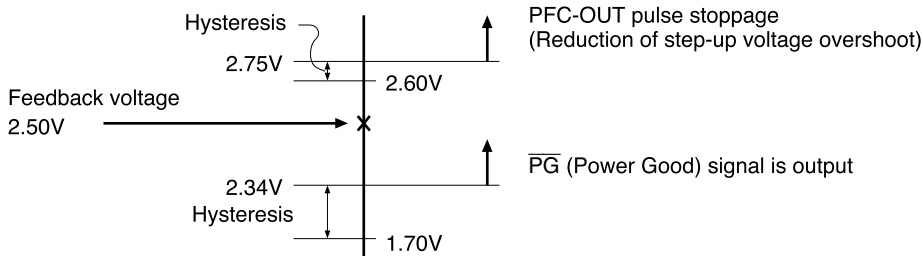
Notes: 1. All numeric values in the figure are typical values.

### 2. PFC-ON

The HA16141P/FP can perform on/off control of the PFC function using the PFC-ON pin. If an AC voltage that has undergone primary rectification and has been divided with an external resistance is input, PFC stoppage is possible in the event of a low input voltage. On/off control by means of a logic signal is also possible.

### 3. PFC-FB

The input to this pin is the voltage obtained by dividing the stepped-up PFC output voltage. The pin voltage is fed back to the PFC control system, and is also used for step-up voltage logic decisions. This is outlined in the figure below.

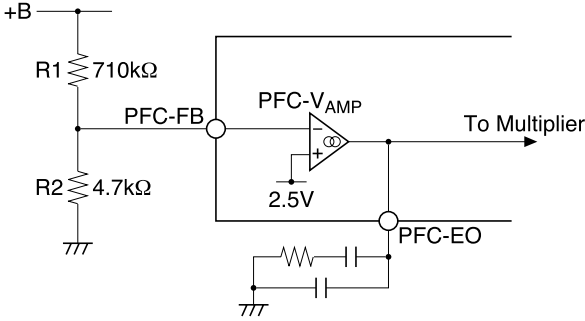


(Note 3 is continued on the next page)

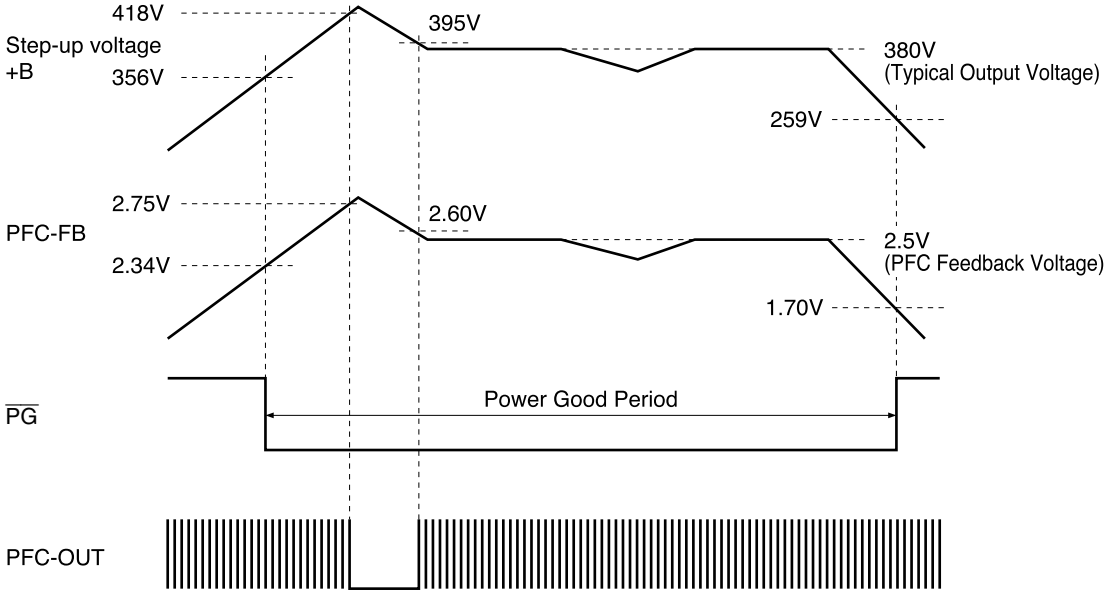
## 3. PFC controller status (cont.)

Notes: 3. PFC-FB (cont.)

The actual input voltage to the PFC-FB pin is the step-up voltage divided with a resistance (see figure below).  
 If R1 is set as 710 kΩ and R2 as 4.7 kΩ, the decision voltage at the step-up pin (+B) is as shown in the figure below.



Precondition: VREF GOOD, PFC-ON, Non latched.

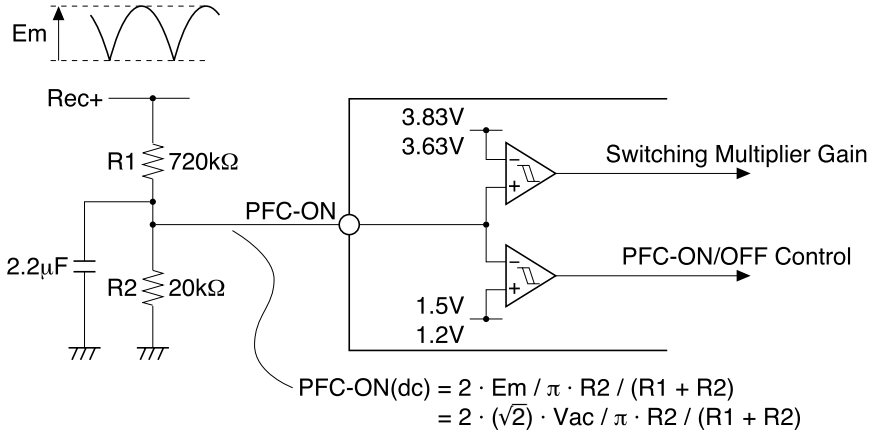


Notes: 4. All numeric values in the figure are typical values.

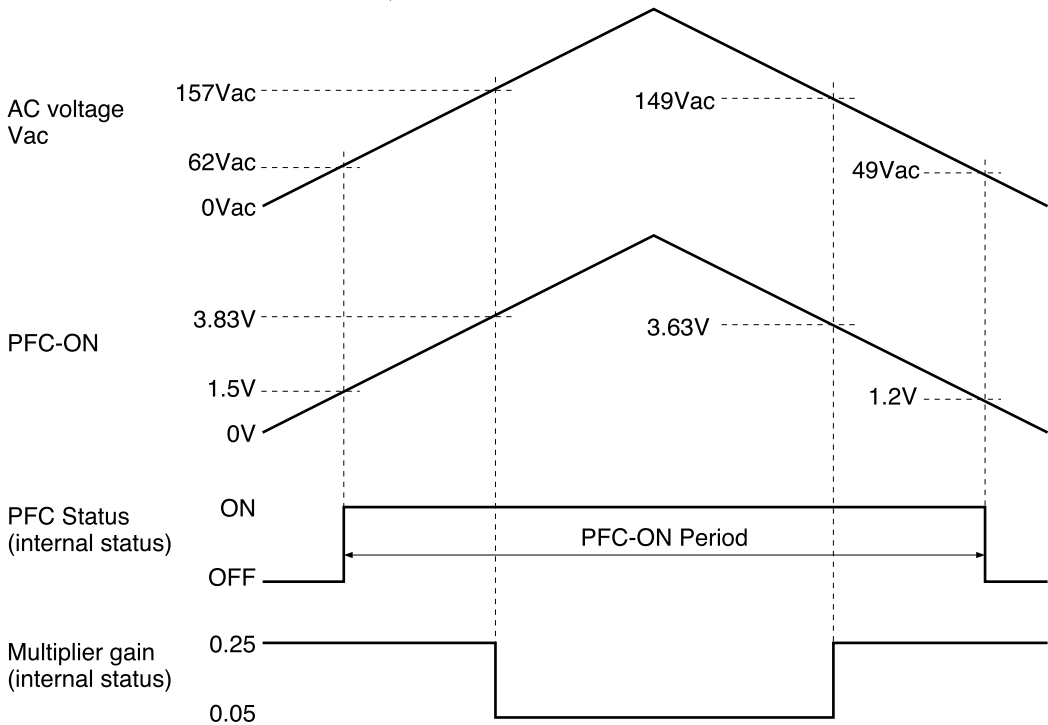
4. PFC-ON pin

The following functions are effected by inputting an AC voltage that has undergone primary rectification and has been divided with an external resistance to the PFC-ON pin (see figure below).

- a) Turning PFC operation off when AC voltage is low
- b) Switching multiplier gain with AC 100 V system and 200 V system input

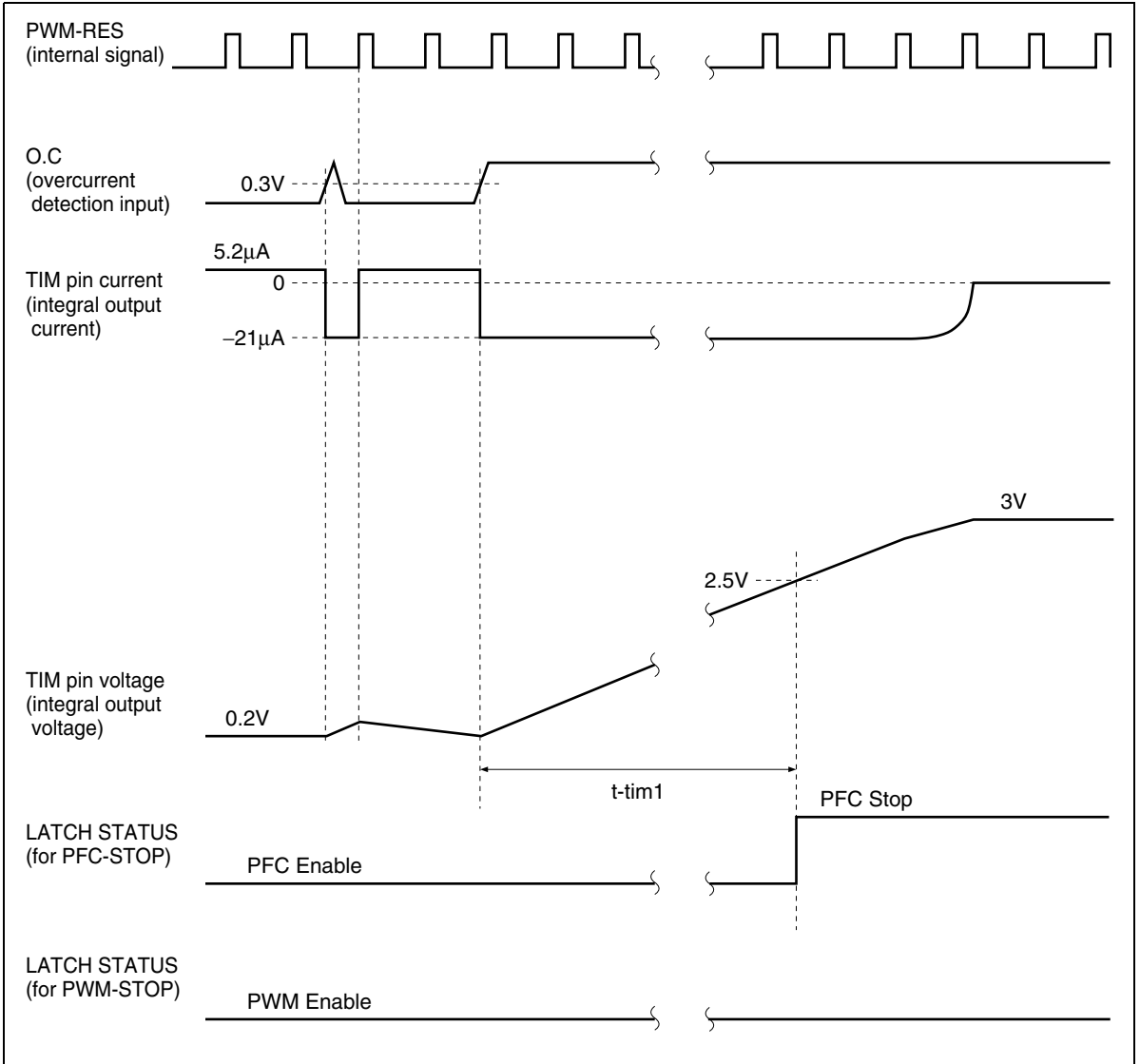


Precondition: VREF GOOD, Non latched.



Note: All numeric values in the figure are typical values.

## 5. Integrator (OC detection operation)



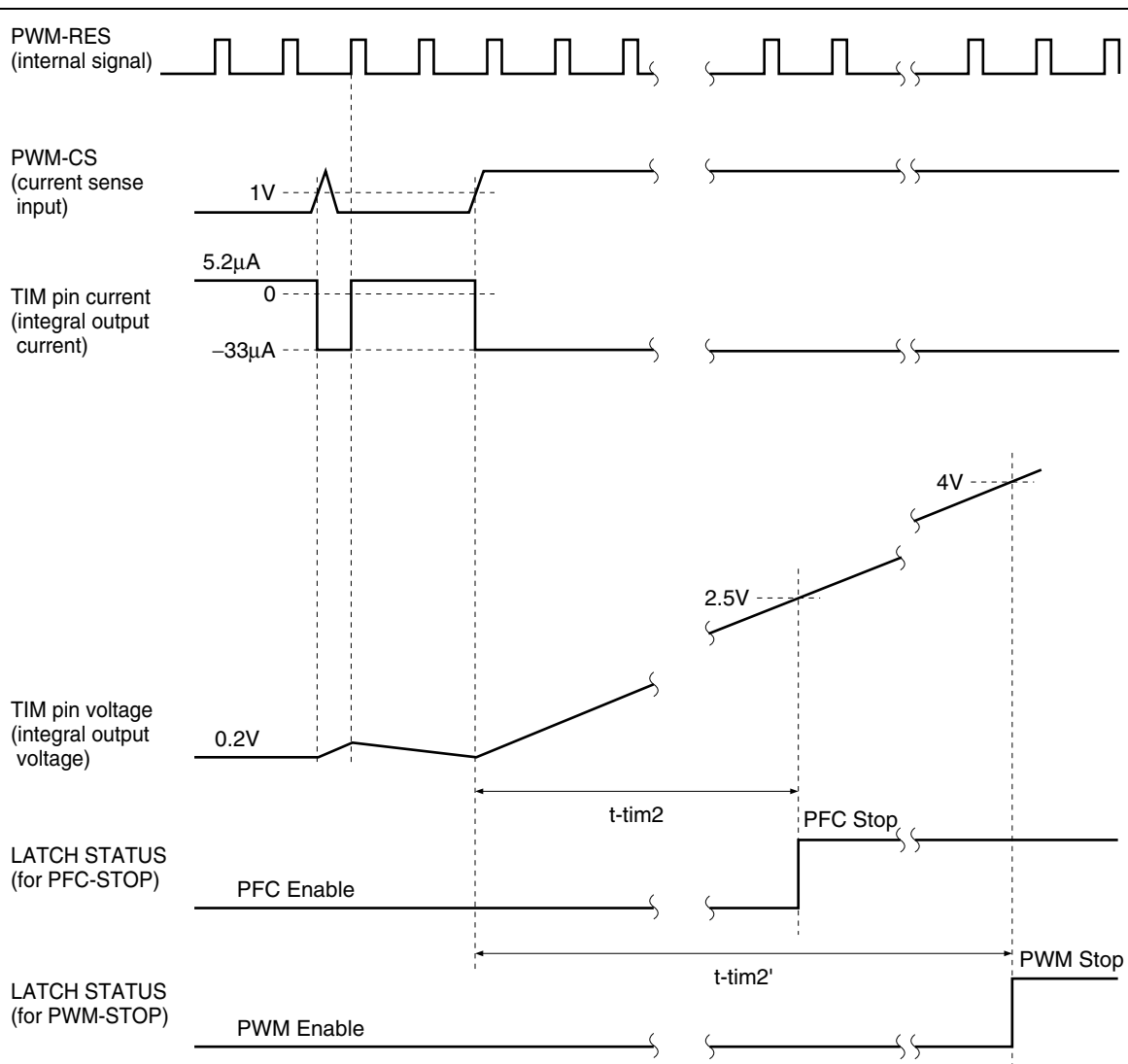
Note: Timer time calculation equation

Timer time  $t\text{-tim1}$  is the time until PG pin inversion (from low to high) after the O.C pin trigger.  $t\text{-tim1}$  can be set using the following approximate equation.

$$t\text{-tim1} = -C_{tim} \cdot (V_{lch} - p_{fc} - 0.2V) / I_{src} - tim1$$

$$= -C_{tim} \cdot (2.5V - 0.2V) / (-21\mu A) \dots \dots \text{Typical calculation}$$

## 6. Integrator (PWM-CS detection operation)



Note: Timer time calculation equation

Timer time  $t\text{-tim2}$  is the time until PG pin inversion (from low to high) after the PWM-CS pin trigger.  $t\text{-tim2}$  can be set using the following approximate equation.

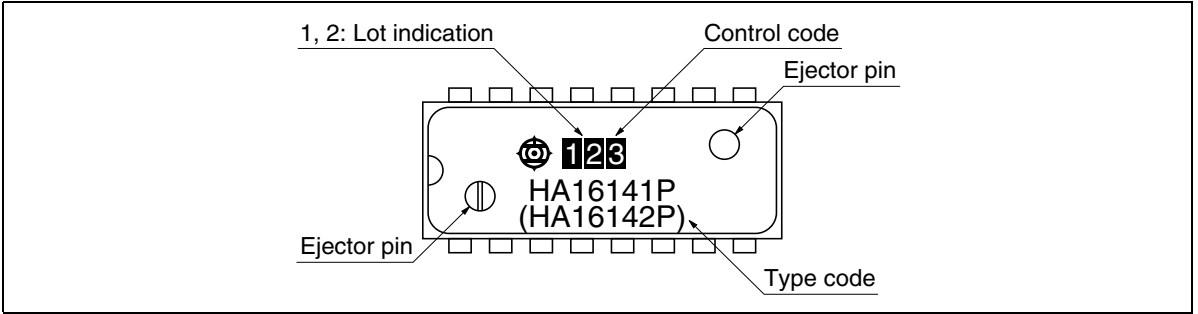
$$t\text{-tim2} = -C_{\text{tim}} \cdot (V_{\text{Ich}} - \text{pfc} - 0.2\text{V}) / I_{\text{src}} - \text{tim2}$$

$$= -C_{\text{tim}} \cdot (2.5\text{V} - 0.2\text{V}) / (-33\mu\text{A}) \dots \dots \text{Typical calculation}$$

The time at which both the PFC and PWM functions are stopped by this timer can be calculated using the following approximate equation.

$$t\text{-tim2}' = 1.65 \cdot t - \text{tim2} \dots \dots \text{Typical calculation}$$

## Mark Pattern



Notes: 1. Example of lot indication.

For example, a product manufactured in May 2000 has the markings "0E" in positions **1** **2** in the above figure.

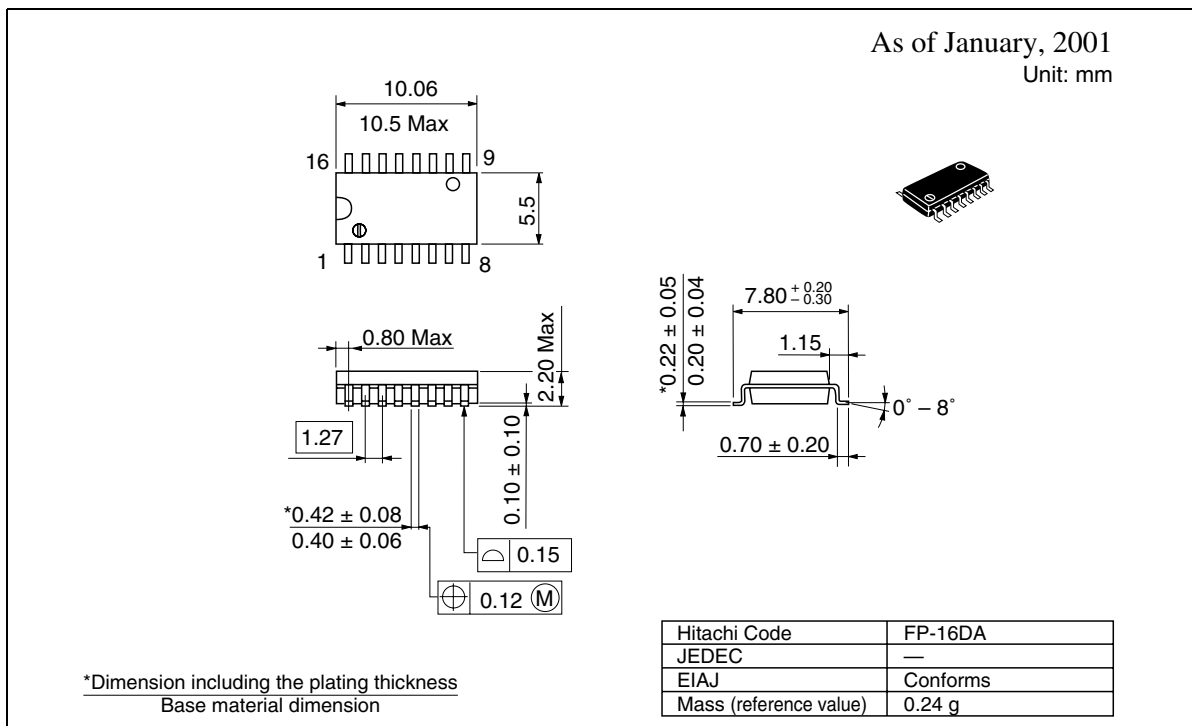
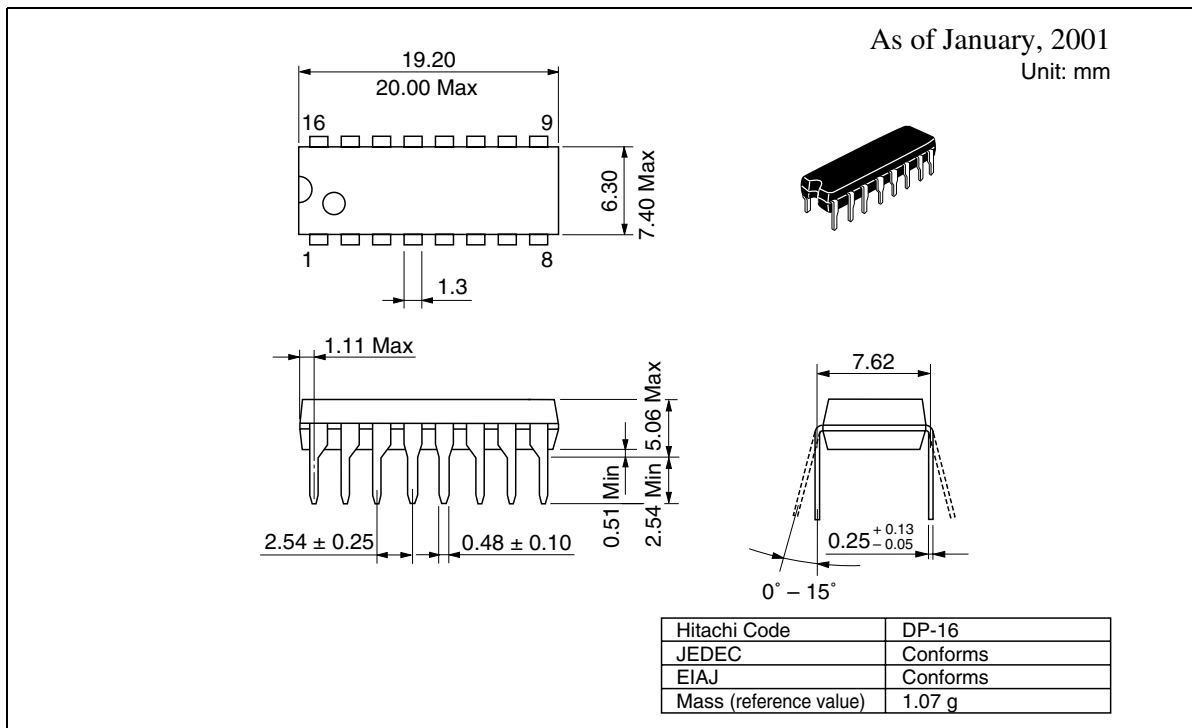
| Production |      | Indication |          |
|------------|------|------------|----------|
| Month      | Year | <b>1</b>   | <b>2</b> |
| May        | 2000 | 0          | E        |

| Month | Jan | Feb | Mar | Apr | May | Jun | Jul | Aug | Sep | Oct | Nov | Dec |
|-------|-----|-----|-----|-----|-----|-----|-----|-----|-----|-----|-----|-----|
| Code  | A   | B   | C   | D   | E   | F   | G   | H   | J   | K   | L   | M   |

2. Laser marking is used.



Package Dimensions



## Disclaimer

1. Hitachi neither warrants nor grants licenses of any rights of Hitachi's or any third party's patent, copyright, trademark, or other intellectual property rights for information contained in this document. Hitachi bears no responsibility for problems that may arise with third party's rights, including intellectual property rights, in connection with use of the information contained in this document.
2. Products and product specifications may be subject to change without notice. Confirm that you have received the latest product standards or specifications before final design, purchase or use.
3. Hitachi makes every attempt to ensure that its products are of high quality and reliability. However, contact Hitachi's sales office before using the product in an application that demands especially high quality and reliability or where its failure or malfunction may directly threaten human life or cause risk of bodily injury, such as aerospace, aeronautics, nuclear power, combustion control, transportation, traffic, safety equipment or medical equipment for life support.
4. Design your application so that the product is used within the ranges guaranteed by Hitachi particularly for maximum rating, operating supply voltage range, heat radiation characteristics, installation conditions and other characteristics. Hitachi bears no responsibility for failure or damage when used beyond the guaranteed ranges. Even within the guaranteed ranges, consider normally foreseeable failure rates or failure modes in semiconductor devices and employ systemic measures such as fail-safes, so that the equipment incorporating Hitachi product does not cause bodily injury, fire or other consequential damage due to operation of the Hitachi product.
5. This product is not designed to be radiation resistant.
6. No one is permitted to reproduce or duplicate, in any form, the whole or part of this document without written approval from Hitachi.
7. Contact Hitachi's sales office for any questions regarding this document or Hitachi semiconductor products.

## Sales Offices

# HITACHI

### Hitachi, Ltd.

Semiconductor & Integrated Circuits  
Nippon Bldg., 2-6-2, Ohte-machi, Chiyoda-ku, Tokyo 100-0004, Japan  
Tel: (03) 3270-2111 Fax: (03) 3270-5109

URL <http://www.hitachisemiconductor.com/>

### For further information write to:

Hitachi Semiconductor (America) Inc.  
179 East Tasman Drive  
San Jose, CA 95134  
Tel: <1> (408) 433-1990  
Fax: <1> (408) 433-0223

Hitachi Europe Ltd.  
Electronic Components Group  
Whitebrook Park  
Lower Cookham Road  
Maidenhead  
Berkshire SL6 8YA, United Kingdom  
Tel: <44> (1628) 585000  
Fax: <44> (1628) 585200

Hitachi Asia Ltd.  
Hitachi Tower  
16 Collyer Quay #20-00  
Singapore 049318  
Tel: <65>-538-6533/538-8577  
Fax: <65>-538-6933/538-3877  
URL: <http://semiconductor.hitachi.com.sg>

Hitachi Asia (Hong Kong) Ltd.  
Group III (Electronic Components)  
7/F., North Tower  
World Finance Centre,  
Harbour City, Canton Road  
Tsim Sha Tsui, Kowloon Hong Kong  
Tel: <852>-(2)-735-9218  
Fax: <852>-(2)-730-0281  
URL: <http://semiconductor.hitachi.com.hk>

Hitachi Europe GmbH  
Electronic Components Group  
Dornacher Straße 3  
D-85622 Feldkirchen  
Postfach 201, D-85619 Feldkirchen  
Germany  
Tel: <49> (89) 9 9180-0  
Fax: <49> (89) 9 29 30 00

Hitachi Asia Ltd.  
(Taipei Branch Office)  
4/F, No. 167, Tun Hwa North Road  
Hung-Kuo Building  
Taipei (105), Taiwan  
Tel: <886>-(2)-2718-3666  
Fax: <886>-(2)-2718-8180  
Telex: 23222 HAS-TP  
URL: <http://www.hitachi.com.tw>

Copyright © Hitachi, Ltd., 2001. All rights reserved. Printed in Japan.  
Colophon 5.0