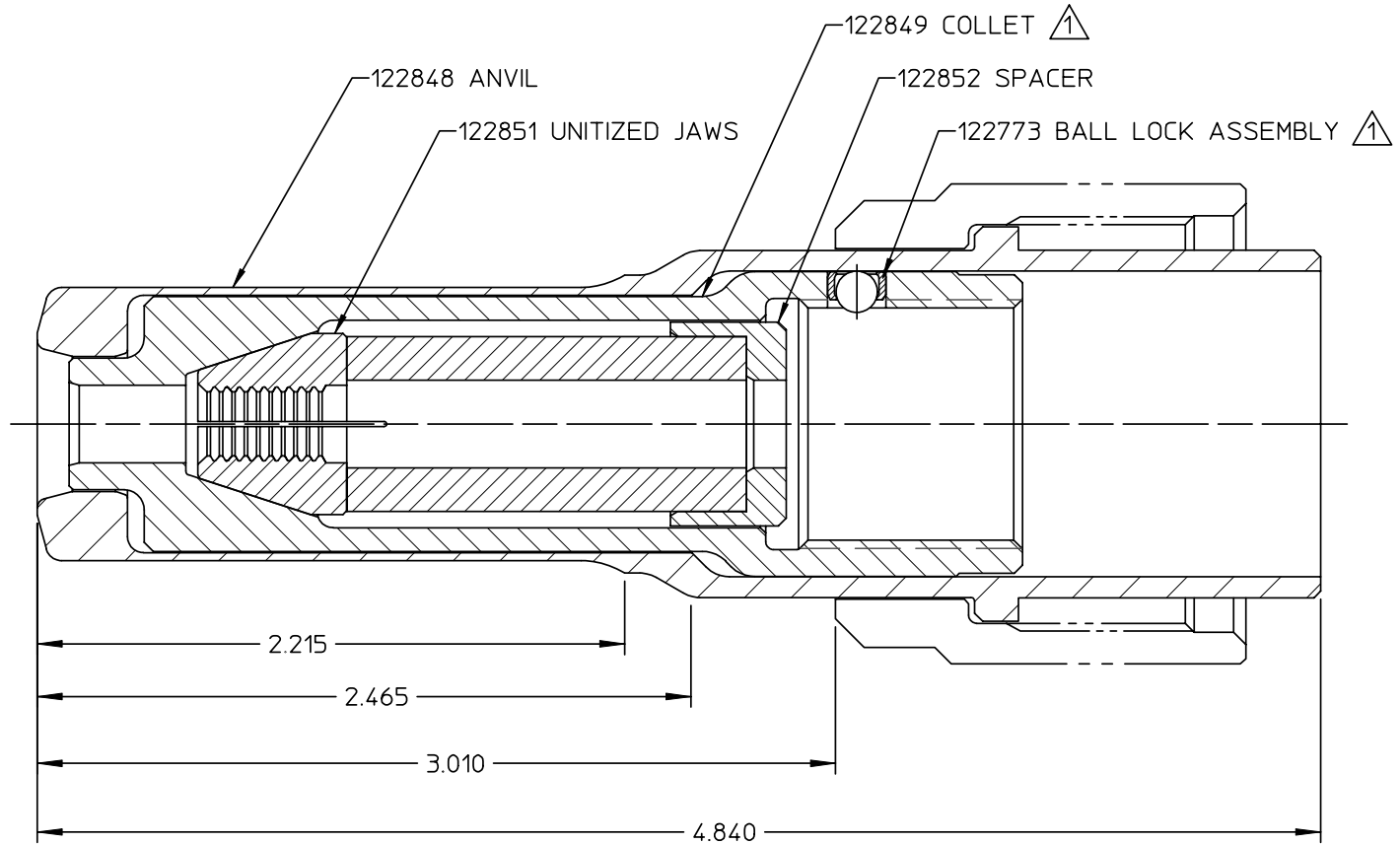
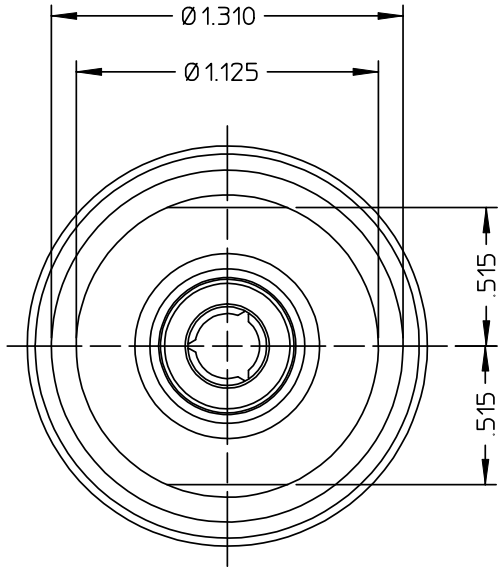


DATA SHEET



Alcoa Fastening Systems

Commercial Products
1 Corporate Drive, Kingston, NY 12401

Part Number 99-3122	TYPE:	NON-SELF-RELEASING
	FASTENER:	-12 BOM
	TOOL(S):	2600
	Notes:	Product Revision: B
	US Patent:	Date: 07/09/03

NOTES:

1 COLLET AND LOCK ASSEMBLY P/N 122850 CONSISTS OF:
COLLET P/N 122849
BALL LOCK ASSEMBLY P/N 122773
NOT AVAILABLE SEPARATELY.

2 STEEL DEFLECTOR: 123634-2600 IS OPTIONALLY AVAILABLE.