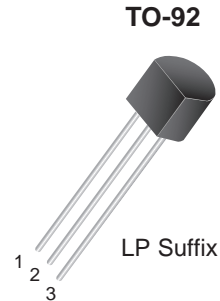
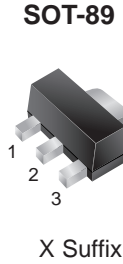
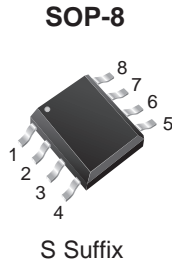


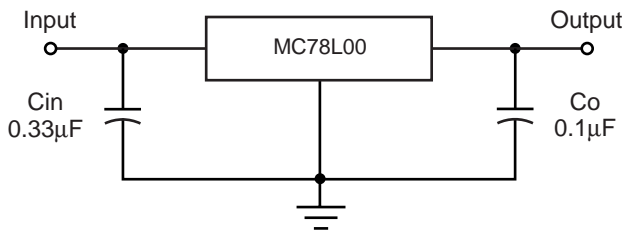
Three-Terminal Low Current Positive Voltage Regulators



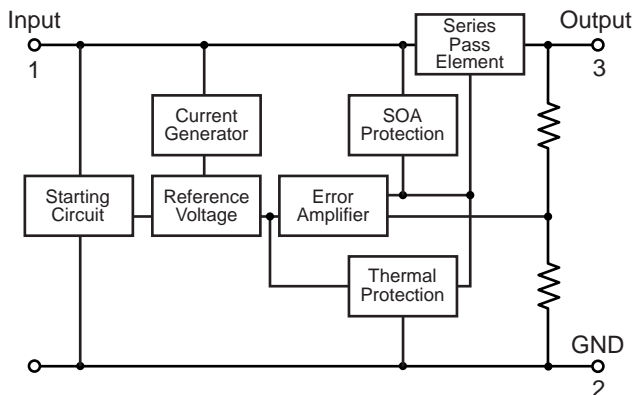
Features

- Wide selection of available fixed output voltages
- Available in space saving SOT-89 package
- Low cost
- Internal short circuit current limiting
- Internal thermal overload protection
- No external components required
- Complementary negative voltage regulators also available (MC79L00)
- Accurate, $\pm 2\%$ output voltage tolerance

Standard Application Circuit



Internal Block Diagram



Description

The MC78L00 series of positive voltage regulators are designed to provide a range of regulated power supply voltages for low current applications of up to 100mA.

They are low cost, rugged, easy to use, three terminal devices with internal current limiting and thermal shut-down protection and are the low current members of the popular MC78M00 and MC7800 family..

No external components are required with the MC78L00 in most applications.

These products offer an improved replacement for the traditional zener-resistor combination, providing better output impedance, lower internal power dissipation and lower quiescent current.

Mechanical Data

Case: SO-8, SOT-89, TO-92

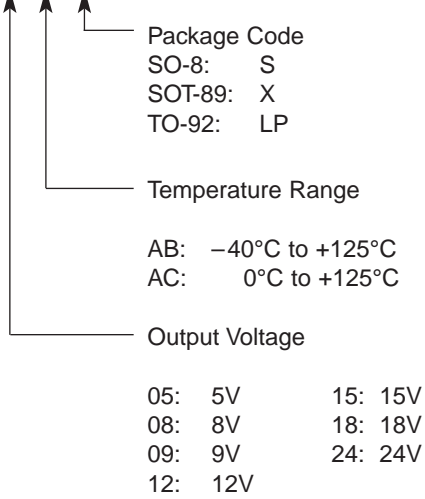
High temperature soldering guaranteed:

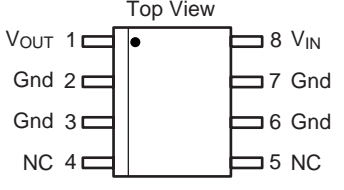
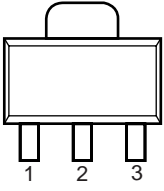
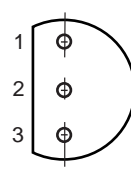
260°C/10 seconds at terminals

Case outlines are on the back pages

Ordering Information

MC78Lxx xx xx



SO-8	<p>Top View</p> 
SOT-89	<p>Top View</p> <p>1. V_{OUT} 2. Gnd (tab) 3. V_{IN}</p> 
TO-92	<p>Top View</p> <p>1. V_{OUT} 2. Gnd 3. V_{IN}</p> 

Marking Information

SOT-89

Marking	Part Number
BAxxxx	MC78L05AB
BBxxxx	MC78L05AC
BDxxxx	MC78L08AB
BExxxx	MC78L08AC
BGxxxx	MC78L09AB
BHxxxx	MC78L09AC
Blxxxx	MC78L12AB
BKxxxx	MC78L12AC
BLxxxx	MC78L15AB
BMxxxx	MC78L15AC
BNxxxx	MC78L18AB
BOxxxx	MC78L18AC
BPxxxx	MC78L24AB
BRxxxx	MC78L24AC

The 5th character is the year code
The 6th character is the week code

**Maximum Ratings** $T_A = 25^\circ\text{C}$ unless otherwise noted.

Parameter		Symbol	Value	Unit
Input Voltage		$V_i^{(1)}$	30	V
Input Voltage		$V_i^{(2)}$	40	V
Storage Junction Temperature Range		T_{stg}	-65 to +150	$^\circ\text{C}$
Operating Junction Temperature Range	AB AC	T_j	-40 to +150 0 to +150	$^\circ\text{C}$
Thermal Resistance, Junction to Case	SO-8 SOT-89	$R_{\theta JC}$	20 15	$^\circ\text{C/W}$
Thermal Resistance, Junction to Ambient (3 CM^2 of Copper)	SO-8 TO-92 SOT-89	$R_{\theta JA}$	55 115 200	$^\circ\text{C/W}$

Notes: (1) MC78L05 to MC78L18
(2) MC78L24

• To maintain the specified junction temperature, low duty cycle pulse testing is required for most parameters. All characteristics are measured with a 0.33 μF capacitor across the input and a 0.1 μF capacitor across the output.

MC78L05 AB/AC Electrical Characteristics

$V_i = 10\text{V}$, $I_o = 40\text{mA}$, $C_i = 0.33\mu\text{F}$, $C_o = 0.1\mu\text{F}$, $-40^\circ\text{C} < T_j < 125^\circ\text{C}$ (MC78L05AB), $0^\circ\text{C} < T_j < 125^\circ\text{C}$ (MC78L05AC) unless otherwise noted.

Parameter		Symbol	Min	Typ	Max	Unit
Output Voltage ($T_j = 25^\circ\text{C}$)		V_o	4.9	5.0	5.1	Vdc
Line Regulation ($T_j = 25^\circ\text{C}$, $I_o = 40\text{mA}$)	$7.0\text{V} \leq V_i \leq 20\text{V}$ $8.0\text{V} \leq V_i \leq 20\text{V}$	REGline		32 26	150 100	mV
Load Regulation ($T_j = 25^\circ\text{C}$)	$1.0\text{mA} \leq I_o \leq 100\text{mA}$ $1.0\text{mA} \leq I_o \leq 40\text{mA}$	REGload		15 8	60 30	mV
Output Voltage	$7.0\text{V} \leq V_i \leq 20\text{V}$, $1.0\text{mA} \leq I_o \leq 40\text{mA}$ $V_i = 10\text{V}$, $1.0\text{mA} \leq I_o \leq 70\text{mA}$	V_o	4.8 (4.75)* 4.8 (4.75)*		5.2 (5.25)* 5.2 (5.25)*	V
Quiescent Current	$T_j = 25^\circ\text{C}$ $T_j = 125^\circ\text{C}$	I_q		3.8	6.0 5.5	mA
Quiescent Current Change	$8.0\text{V} \leq V_i \leq 20\text{V}$ $1.0\text{mA} \leq I_o \leq 40\text{mA}$	ΔI_q			1.5 0.1	mA
Output Noise Voltage ($T_A = 25^\circ\text{C}$, $10\text{Hz} \leq f \leq 100\text{kHz}$)		V_n		40		μV
Ripple Rejection ($I_o = 40\text{mA}$, $f = 120\text{Hz}$, $8.0\text{V} \leq V_i \leq 18\text{V}$, $T_j = 25^\circ\text{C}$)		RR		40		dB
Dropout Voltage		V_{drop}		1.7		Vdc

* Limits in parenthesis apply for MC78L05AB

MC78L08 AB/AC Electrical Characteristics

$V_i = 14V$, $I_o = 40mA$, $C_i = 0.33\mu F$, $C_o = 0.1\mu F$, $-40^\circ C < T_J < 125^\circ C$ (MC78L08AB), $0^\circ C < T_J < 125^\circ C$ (MC78L08AC) unless otherwise noted..

Parameter	Symbol	Min	Typ	Max	Unit
Output Voltage ($T_J = 25^\circ C$)	V_O	7.8	8.0	8.2	Vdc
Line Regulation ($T_J = 25^\circ C$, $I_o = 40mA$)	REGline	$10.5V \leq V_i \leq 23V$ $11V \leq V_i \leq 23V$	42 36	175 125	mV
Load Regulation ($T_J = 25^\circ C$)	REGload	$1.0mA \leq I_o \leq 100mA$ $1.0mA \leq I_o \leq 40mA$	18 10	80 40	mV
Output Voltage $10.5V \leq V_i \leq 23V$, $1.0mA \leq I_o \leq 40mA$ $V_i = 14V$, $1.0mA \leq I_o \leq 70mA$	V_O	7.65 (7.6)* 7.65 (7.6)*		8.3 (8.4)* 8.3 (8.4)*	V
Quiescent Current $T_J = 25^\circ C$ $T_J = 125^\circ C$	I_q		3.0	6.0 5.5	mA
Quiescent Current Change $11V \leq V_i \leq 23V$ $1.0mA \leq I_o \leq 40mA$	ΔI_q			1.5 0.2	mA
Output Noise Voltage ($T_A = 25^\circ C$, $10Hz \leq f \leq 100KHz$)	V_n		54		μV
Ripple Rejection ($I_o = 40mA$, $f = 120Hz$, $12V \leq V_i \leq 23V$, $T_J = 25^\circ C$)	RR	36	45		dB
Dropout Voltage ($T_J = 25^\circ C$)	V_{drop}		1.7		Vdc

* Limits in parenthesis apply for MC78L08AB

MC78L09 AB/AC Electrical Characteristics

$V_i = 16V$, $I_o = 40mA$, $C_i = 0.33\mu F$, $C_o = 0.1\mu F$, $-40^\circ C < T_J < 125^\circ C$ (MC78L09AB), $0^\circ C < T_J < 125^\circ C$ (MC78L09AC) unless otherwise noted..

Parameter	Symbol	Min	Typ	Max	Unit
Output Voltage ($T_J = 25^\circ C$)	V_O	8.8	9.0	9.2	Vdc
Line Regulation ($T_J = 25^\circ C$, $I_o = 40mA$)	REGline	$11.5V \leq V_i \leq 24V$ $12V \leq V_i \leq 24V$	45 40	175 125	mV
Load Regulation ($T_J = 25^\circ C$)	REGload	$1.0mA \leq I_o \leq 100mA$ $1.0mA \leq I_o \leq 40mA$	19 11	90 40	mV
Output Voltage $11.5V \leq V_i \leq 24V$, $1.0mA \leq I_o \leq 40mA$ $V_i = 15V$, $1.0mA \leq I_o \leq 70mA$	V_O	8.6 (8.5)* 8.6 (8.5)*		9.4 (9.5)* 9.4 (9.5)*	Vdc
Quiescent Current $T_J = 25^\circ C$ $T_J = 125^\circ C$	I_q		3.0	6.0 5.5	mA
Quiescent Current Change $11V \leq V_i \leq 23V$ $1.0mA \leq I_o \leq 40mA$	ΔI_q			1.5 0.1	mA
Output Noise Voltage ($T_A = 25^\circ C$, $10Hz \leq f \leq 100KHz$)	V_n		58		μV
Ripple Rejection ($I_o = 40mA$, $f = 120Hz$, $12V \leq V_i \leq 23V$, $T_J = 25^\circ C$)	RR	37	45		dB
Dropout Voltage	V_{drop}		1.7		Vdc

* Limits in parenthesis apply for MC78L09AB

**MC78L12 AB/AC Electrical Characteristics**

Vi = 19V, Io = 40mA, Ci = 0.33μF, Co = 0.1μF, -40°C < Tj < 125°C (MC78L08AB), 0°C < Tj < 125°C (MC78L08AC) unless otherwise noted.

Parameter	Symbol	Min	Typ	Max	Unit
Output Voltage (Tj = 25°C)	Vo	11.75	12	12.25	Vdc
Line Regulation (Tj = 25°C, Io = 40mA)	REGline	14.5V ≤ Vi ≤ 27V 16V ≤ Vi ≤ 27V	55 49	250 200	mV
Load Regulation (Tj = 25°C)	REGload	1.0mA ≤ Io ≤ 100mA 1.0mA ≤ Io ≤ 40mA	22 13	100 50	mV
Output Voltage	Vo	14.5V ≤ Vi ≤ 27V, 1.0mA ≤ Io ≤ 40mA Vi = 19V, 1.0mA ≤ Io ≤ 70mA	11.5 (11.4)* 11.5 (11.4)*	12.5 (12.6)* 12.5 (12.6)*	V
Quiescent Current	Iq	Tj = 25°C Tj = 125°C	42	6.5 6.0	mA
Quiescent Current Change	ΔIq	16V ≤ Vi ≤ 27V 1.0mA ≤ Io ≤ 40mA		1.5 0.2	mA
Output Noise Voltage (TA = 25°C, 10Hz ≤ f ≤ 100KHz)	Vn		70		μV
Ripple Rejection (Io = 40mA, f = 120Hz, 15V ≤ Vi ≤ 25V, Tj = 25°C)	RR	36	42		dB
Dropout Voltage (Tj = 25°C)	Vdrop		1.7		Vdc

* Limits in parenthesis apply for MC78L12AB

MC78L15 AB/AC Electrical Characteristics

Vi = 23V, Io = 40mA, Ci = 0.33μF, Co = 0.1μF, -40°C < Tj < 125°C (MC78L09AB), 0°C < Tj < 125°C (MC78L09AC) unless otherwise noted.

Parameter	Symbol	Min	Typ	Max	Unit
Output Voltage (Tj = 25°C)	Vo	14.7	15	15.3	Vdc
Line Regulation (Tj = 25°C, Io = 40mA)	REGline	17.5V ≤ Vi ≤ 30V 20V ≤ Vi ≤ 30V	65 58	300 250	mV
Load Regulation (Tj = 25°C)	REGload	1.0mA ≤ Io ≤ 100mA 1.0mA ≤ Io ≤ 40mA	25 12	150 75	mV
Output Voltage	Vo	17.5V ≤ Vi ≤ 30V, 1.0mA ≤ Io ≤ 40mA Vi = 23V, 1.0mA ≤ Io ≤ 70mA	14.40 (14.25)* 14.40 (14.25)*	15.60 (15.75)* 15.60 (15.75)*	Vdc
Quiescent Current	Iq	Tj = 25°C Tj = 125°C	4.4	6.5 6.0	mA
Quiescent Current Change	ΔIq	20V ≤ Vi ≤ 30V 1.0mA ≤ Io ≤ 40mA		1.5 0.2	mA
Output Noise Voltage (TA = 25°C, 10Hz ≤ f ≤ 100KHz)	Vn		82		μV
Ripple Rejection (Io = 40mA, f = 120Hz, 18.5V ≤ Vi ≤ 28.5V, Tj = 25°C)	RR	33	39		dB
Dropout Voltage	Vdrop		1.7		Vdc

* Limits in parenthesis apply for MC78L15AB

MC78L18 AC Electrical Characteristics

$V_i = 27V$, $I_o = 40mA$, $C_i = 0.33\mu F$, $C_o = 0.1\mu F$, $0^\circ C < T_J < 125^\circ C$ unless otherwise noted.

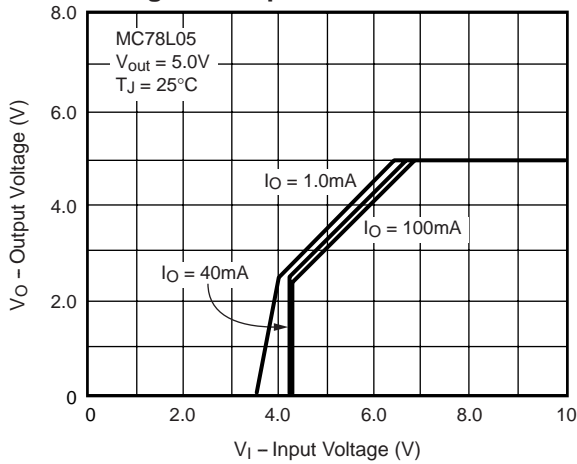
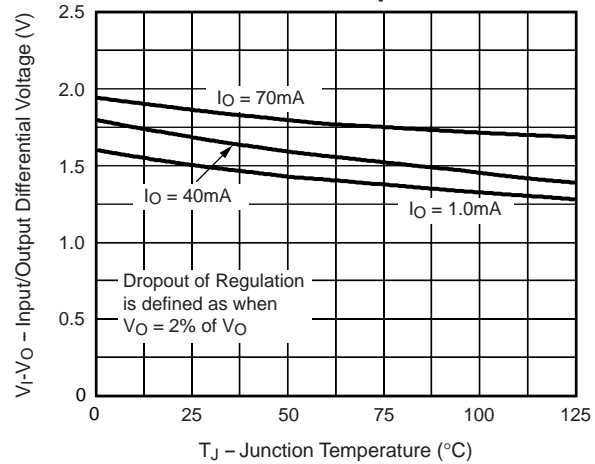
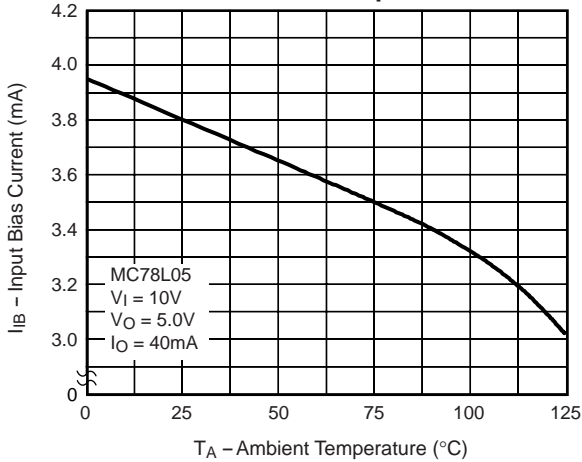
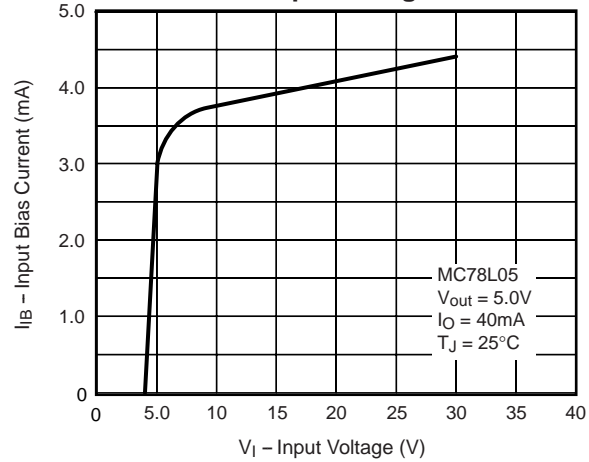
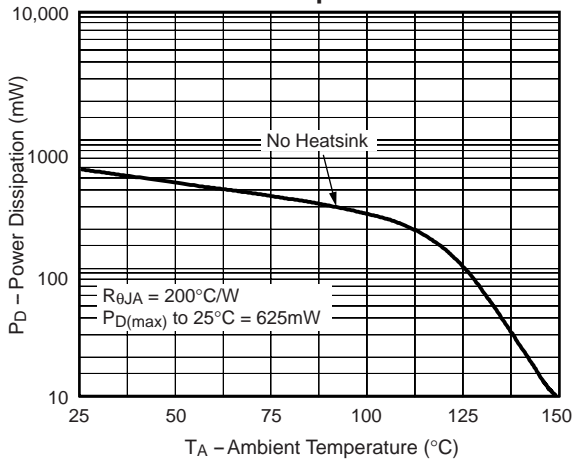
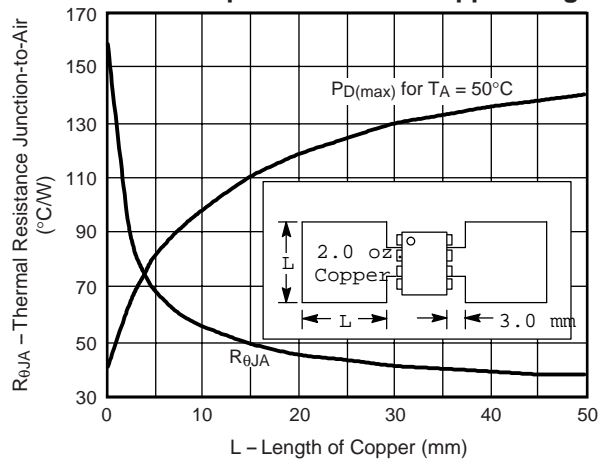
Parameter	Symbol	Min	Typ	Max	Unit
Output Voltage ($T_J = 25^\circ C$)	V_o	17.64	18	18.36	Vdc
Line Regulation ($T_J = 25^\circ C$, $I_o = 40mA$)	REGline	$20.7V \leq V_i \leq 33V$ $22V \leq V_i \leq 33V$	70 64	325 275	mV
Load Regulation ($T_J = 25^\circ C$)	REGload	$1.0mA \leq I_o \leq 100mA$ $1.0mA \leq I_o \leq 40mA$	30 15	170 85	mV
Output Voltage $20.7V \leq V_i \leq 33V$, $1.0mA \leq I_o \leq 40mA$ $V_i = 27V$, $1.0mA \leq I_o \leq 70mA$	V_o	17.4 17.4		18.6 18.6	V
Quiescent Current	I_q	$T_J = 25^\circ C$ $T_J = 125^\circ C$	3.1	6.5 6.0	mA
Quiescent Current Change	ΔI_q	$22V \leq V_i \leq 33V$ $1.0mA \leq I_o \leq 40mA$		1.5 0.2	mA
Output Noise Voltage ($T_A = 25^\circ C$, $10Hz \leq f \leq 100KHz$)	V_n		150		μV
Ripple Rejection ($I_o = 40mA$, $f = 120Hz$, $23V \leq V_i \leq 33V$, $T_J = 25^\circ C$)	RR	32	46		dB
Dropout Voltage ($T_J = 25^\circ C$)	V_{drop}		1.7		Vdc

MC78L24 AC Electrical Characteristics

$V_i = 33V$, $I_o = 40mA$, $C_i = 0.33\mu F$, $C_o = 0.1\mu F$, $0^\circ C < T_J < 125^\circ C$ unless otherwise noted.

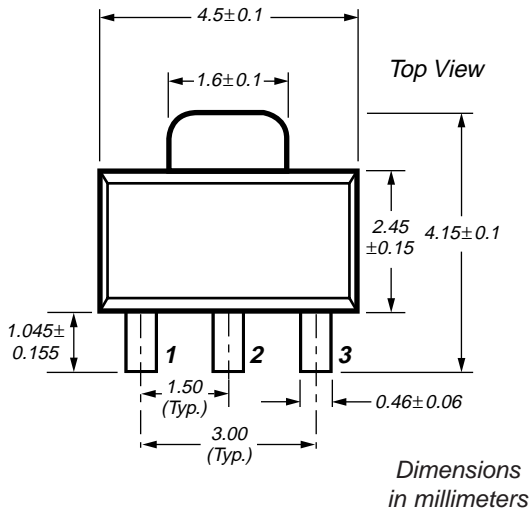
Parameter	Symbol	Min	Typ	Max	Unit
Output Voltage ($T_J = 25^\circ C$)	V_o	23.5	24	24.5	Vdc
Line Regulation ($T_J = 25^\circ C$, $I_o = 40mA$)	REGline	$27.0V \leq V_i \leq 38V$ $28V \leq V_i \leq 38V$	35 30	350 300	mV
Load Regulation ($T_J = 25^\circ C$)	REGload	$1.0mA \leq I_o \leq 100mA$ $1.0mA \leq I_o \leq 40mA$	40 20	200 100	mV
Output Voltage $27V \leq V_i \leq 38V$, $1.0mA \leq I_o \leq 40mA$ $V_i = 33V$, $1.0mA \leq I_o \leq 70mA$	V_o	23.3 23.3		24.7 24.7	Vdc
Quiescent Current	I_q	$T_J = 25^\circ C$ $T_J = 125^\circ C$	3.1	6.5 6.0	mA
Quiescent Current Change	ΔI_q	$28V \leq V_i \leq 38V$ $1.0mA \leq I_o \leq 40mA$		1.5 0.2	mA
Output Noise Voltage ($T_A = 25^\circ C$, $10Hz \leq f \leq 100KHz$)	V_n		200		μV
Ripple Rejection ($I_o = 40mA$, $f = 120Hz$, $29V \leq V_i \leq 35V$, $T_J = 25^\circ C$)	RR	30	43		dB
Dropout Voltage	V_{drop}		1.7		Vdc

Ratings and Characteristic Curves ($T_A = 25^\circ\text{C}$ unless otherwise noted)

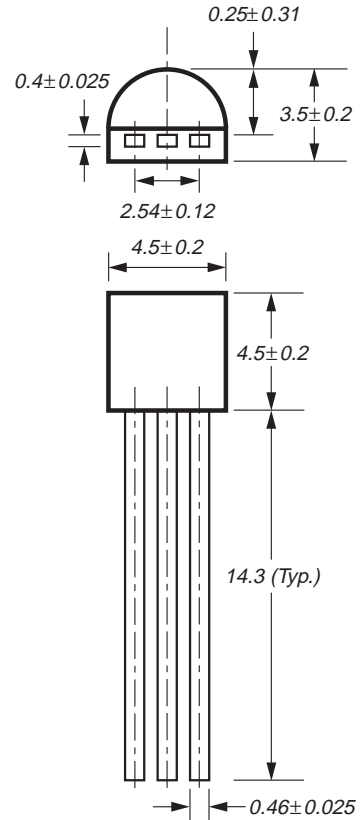
Fig. 1 – Dropout Characteristics

Fig. 2 – Dropout Voltage vs. Junction Temperature

Fig. 3 – Input Bias Current vs. Ambient Temperature

Fig. 4 – Input Bias Current vs. Input Voltage

Fig. 5 – Max. Average Power Dissipation vs. Ambient Temperature – TO-92

Fig. 6 – SOP-8 Thermal Resistance & Max. Power Dissipation vs. P.C.B. Copper Length


Case Outlines

SOT-89



TO-92



SOP-8

