

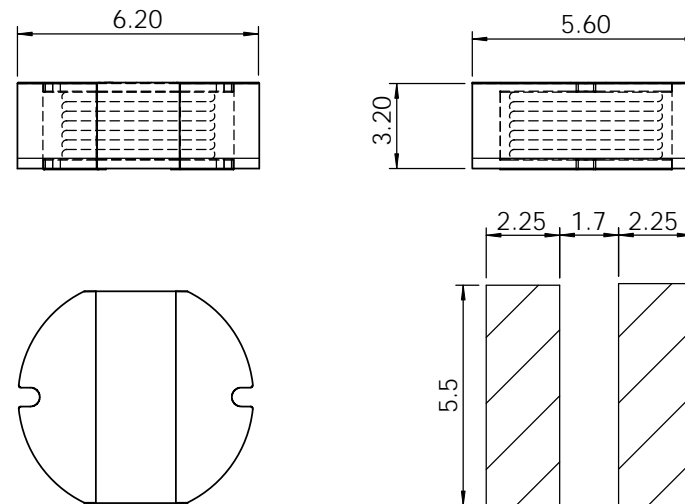
Part	L (μ H)	Tol %	R _{DC} MAX (Ω)	I _{DC} I _N (A)
CDR63B-100	10 @ 2.52 MHz	M	0.14	1
CDR63B-120	12 @ 2.52 MHz	M	0.16	0.94
CDR63B-150	15 @ 2.52 MHz	M	0.18	0.86
CDR63B-220	22 @ 2.52 MHz	M	0.25	0.76
CDR63B-270	27 @ 2.52 MHz	M	0.32	0.64
CDR63B-330	33 @ 2.52 MHz	L,M	0.36	0.61
CDR63B-390	39 @ 2.52 MHz	L,M	0.41	0.53
CDR63B-470	47 @ 2.52 MHz	L,M	0.51	0.5
CDR63B-560	56 @ 2.52 MHz	L,M	0.72	0.46
CDR63B-680	68 @ 2.52 MHz	L,M	0.82	0.42

SPECIFICATION

TYPE = CDR63B
 CONSTRUCTION = SURFACE MOUNT POWER INDUCTOR
 TERMINAL COATING = NICKEL / SILVER
 OPERATING TEMP. = -40 TO +85 °C
 STORAGE TEMP = -55 TO +125 °C
 INSULATION RESISTANCE = 100M Ω m. 100V TERMINAL-CORE
 DIELECTRIC STRENGTH = 250Vac TERMINAL-CORE
 HUMIDITY EFFECTS = L \pm 5 @ 95%RH, 40 °C, 1HR
 Q \pm 5 @ 95%RH, 40 °C, 1HR
 PACKAGING = 1500PCS/REEL
 MARKING = 3 CHARACTERS, VALUE

NOTE

TOLERANCES L=15%; M=20%.



PROPRIETARY AND CONFIDENTIAL THE INFORMATION CONTAINED IN THIS DRAWING IS THE SOLE PROPERTY OF AIT COMPONENTS LTD. ANY REPRODUCTION IN PART OR AS A WHOLE WITHOUT THE WRITTEN PERMISSION OF AIT COMPONENTS LTD IS STRICTLY PROHIBITED.	NAME	DATE	AIT COMPONENTS LTD www.aitcomponents.com
	DRAWN		
	CHECKED		TITLE:
	ENG APPR		CDR63B SMD POWER INDUCTOR
MATERIAL	--	UNLESS OTHERWISE SPECIFIED DIMENSIONS ARE IN MILLIMETERS TOLERANCES: ONE PLACE DECIMAL +/-0.3 TWO PLACE DECIMAL +/-0.13 ANGLE +/-1 DEGREE	SIZE A DWG. NO. CDR63B SMD POWER INDUCTOR REV. 00
FINISH	--	DO NOT SCALE DRAWING	SCALE:1:1 SHEET 1 OF 1