

Lumex Part Number	Output Power (mW)	Wavelength (Typ λ_{nm})	Current (mA) Ith Iop	Operating Voltage (V)	Reverse VRLD	Voltage VRPD	Fig.
Emitters							
OED-LDP65001E	5	650	20 35	2.2	2	30	71
OED-LDH65002E	20	650	25 50	2.2	2	30	71
OED-LDC13001EB	10	1310	12 —	1.2	2	15	72
OED-LDC15001EB	5	1550	8 —	1.2	2	10	72

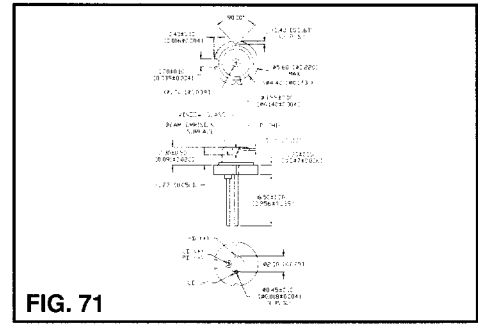


FIG. 71

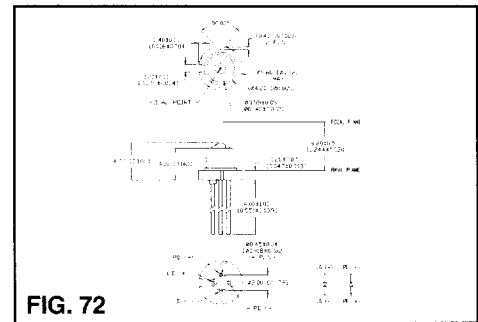


FIG. 72

Lumex Part Number	Reverse Voltage	Forward Current	Active Area Dia	Detection Range (Typ)	Responsivity	Cutoff Frequency	Rise /Fall Time	Fig.
Detectors								
OED-PPD11075G-B	25(V)	2(mA)	75(μ m)	1310(nm)	0.90(A/W)	2.0(GHz)	0.2(ns)	73

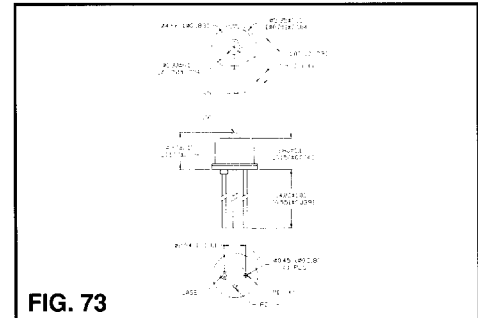


FIG. 73