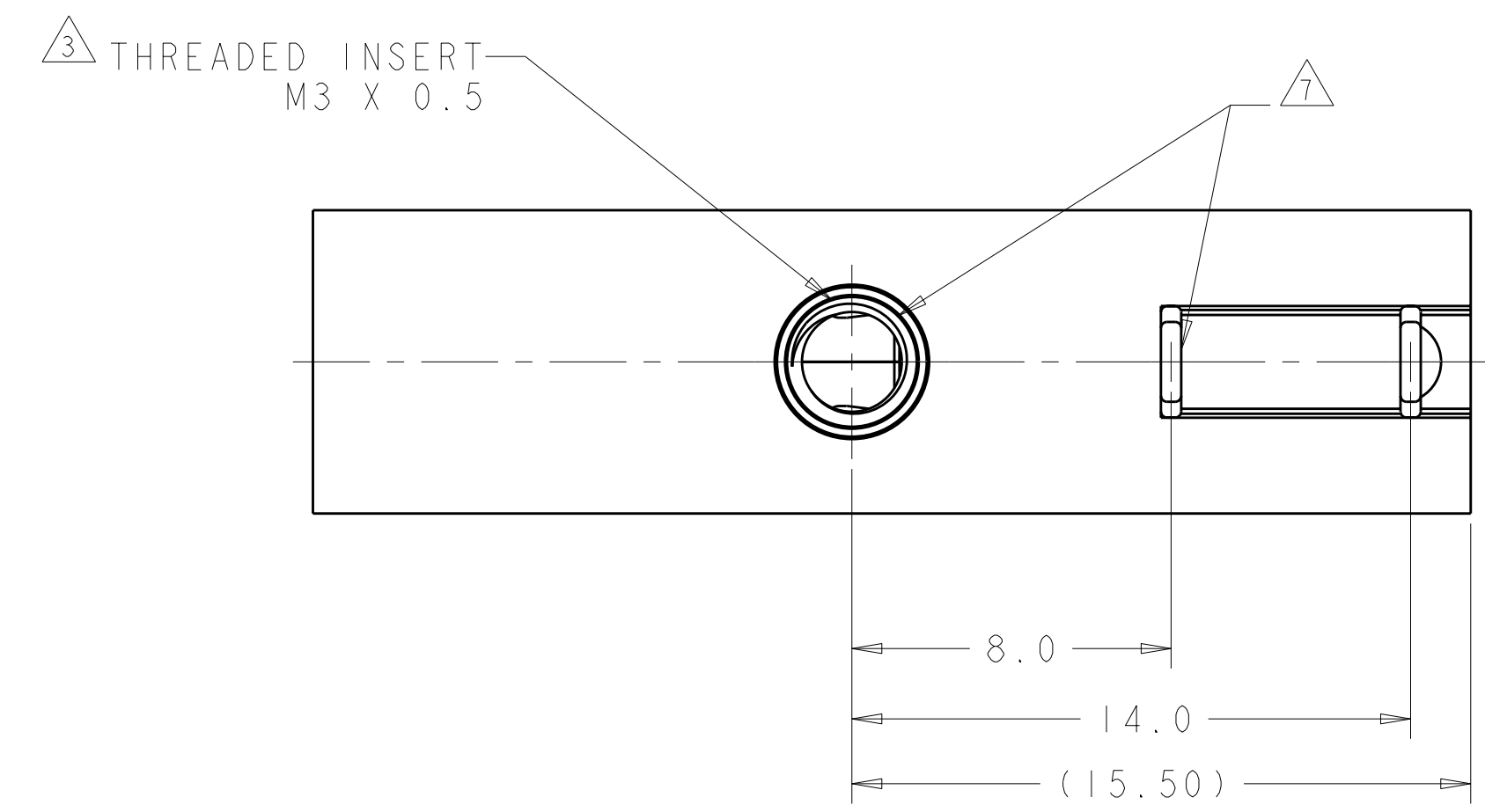
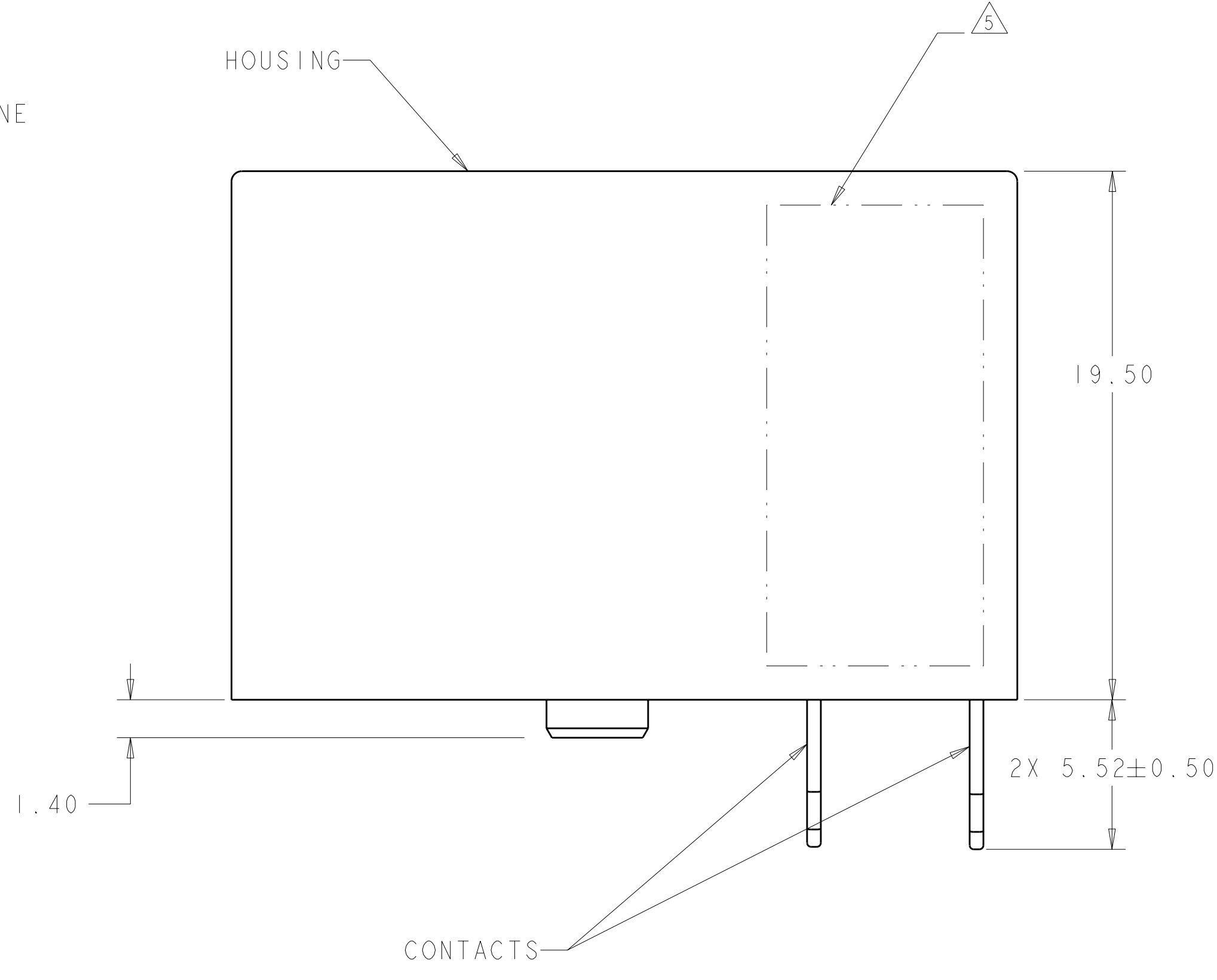
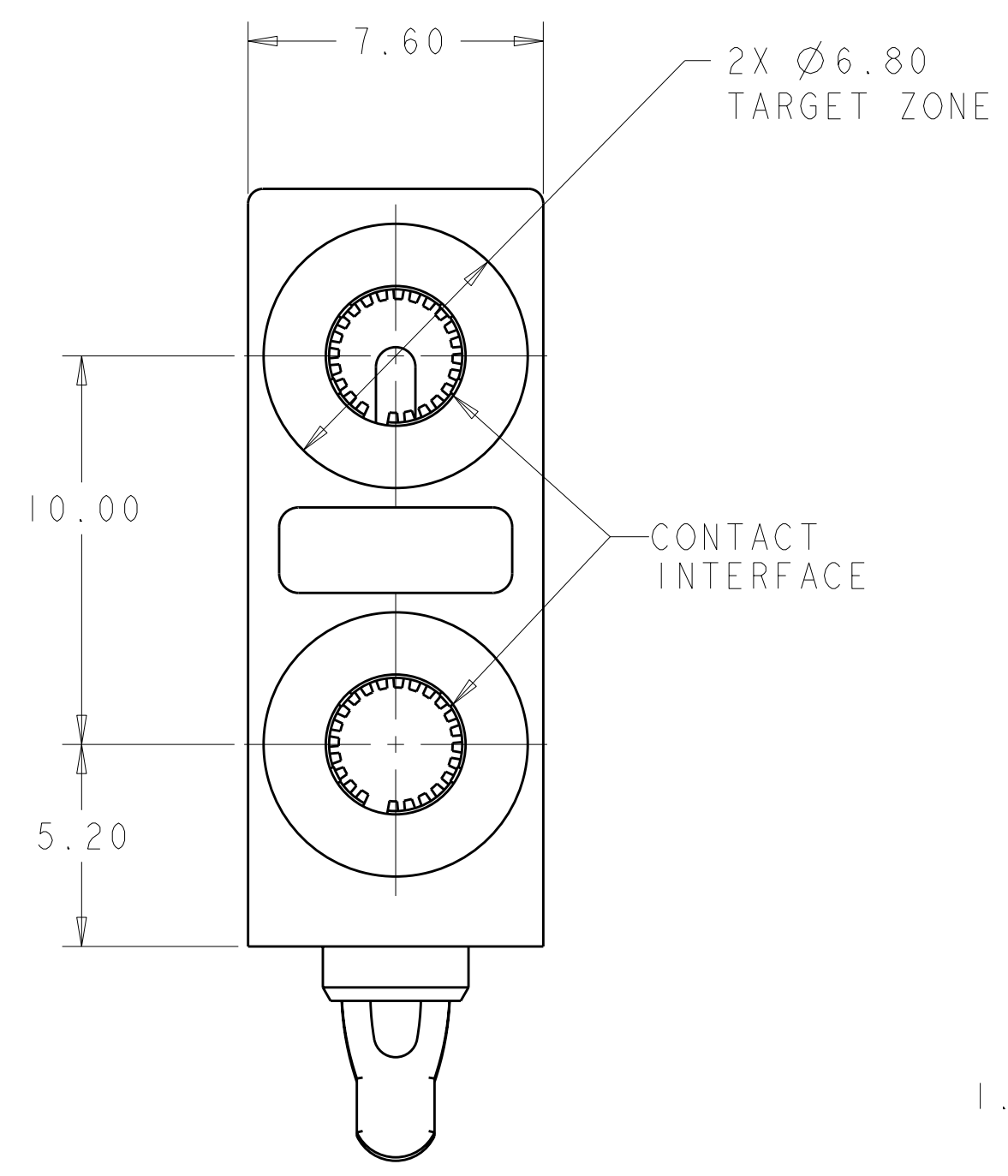
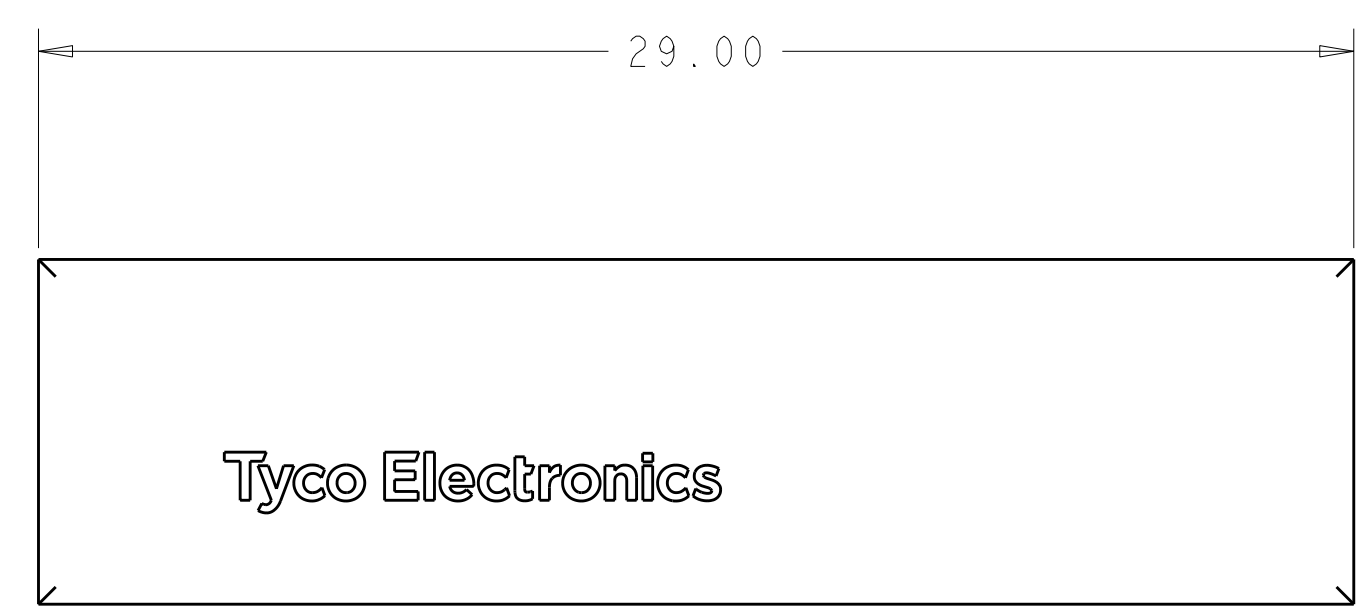


LOC	DIST	REVISIONS			
GP	00	REV	DATE	BY	APP'D
		A	RELEASE	10MAR2009	GIP GRD
		B	REV PER ECO-10-013207	23JUN2010	RG DO
		C	REV PER ECO-11-004536	04MAR2011	RG DO



1 MATERIALS:  
 HOUSING: POLYESTER PBT THERMOPLASTIC, UL 94 V-0  
 CONTACT: COPPER ALLOY  
 CONTACT INTERFACE: COPPER ALLOY  
 INSERT: COPPER ALLOY

2 FINISH:  
 HOUSING: BLACK  
 CONTACT: SILVER PLATE, 5.08µm MIN THICK, OVER NICKEL UNDERPLATE  
 CONTACT INTERFACE: GOLD PLATE, 0.76µm MIN THICK, OVER NICKEL UNDERPLATE  
 INSERT: NONE

3

RECOMMENDED M3 SCREW LENGTH	
PCB THICKNESS	SCREW LGTH.
1.57mm [0.062"]	3.00mm
2.36mm [0.093"]	4.00mm
3.18mm [0.125"]	5.00mm

4. THIS PRODUCT HAS NOT BEEN VALIDATION TESTED.

5 PART NUMBER AND DATE CODE LABEL TO BE LOCATED APPROXIMATELY AS SHOWN.

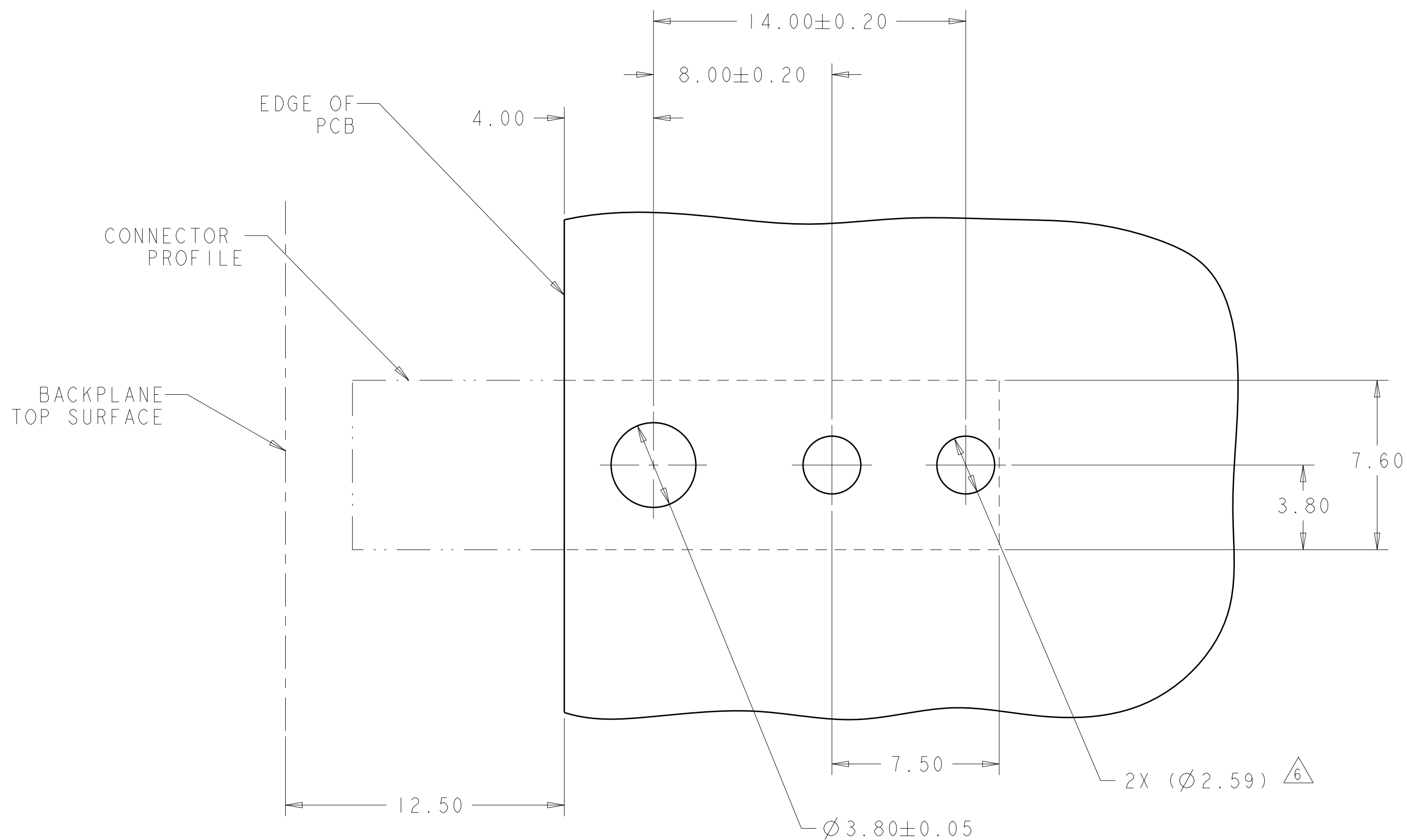
6 MANUFACTURING TOLERANCE:  
 FINISHED HOLE:  $\varnothing 2.59 \pm 0.05$   
 DRILLED HOLE  $\varnothing 2.687 \pm 0.020$   
 COPPER PLATING: 0.050 - 0.025  
 TIN-LEAD PLATING: 0.015 - 0.004

7 THREADED INSERT & LOWER CONTACT MAY BE ELECTRICALLY COMMON.

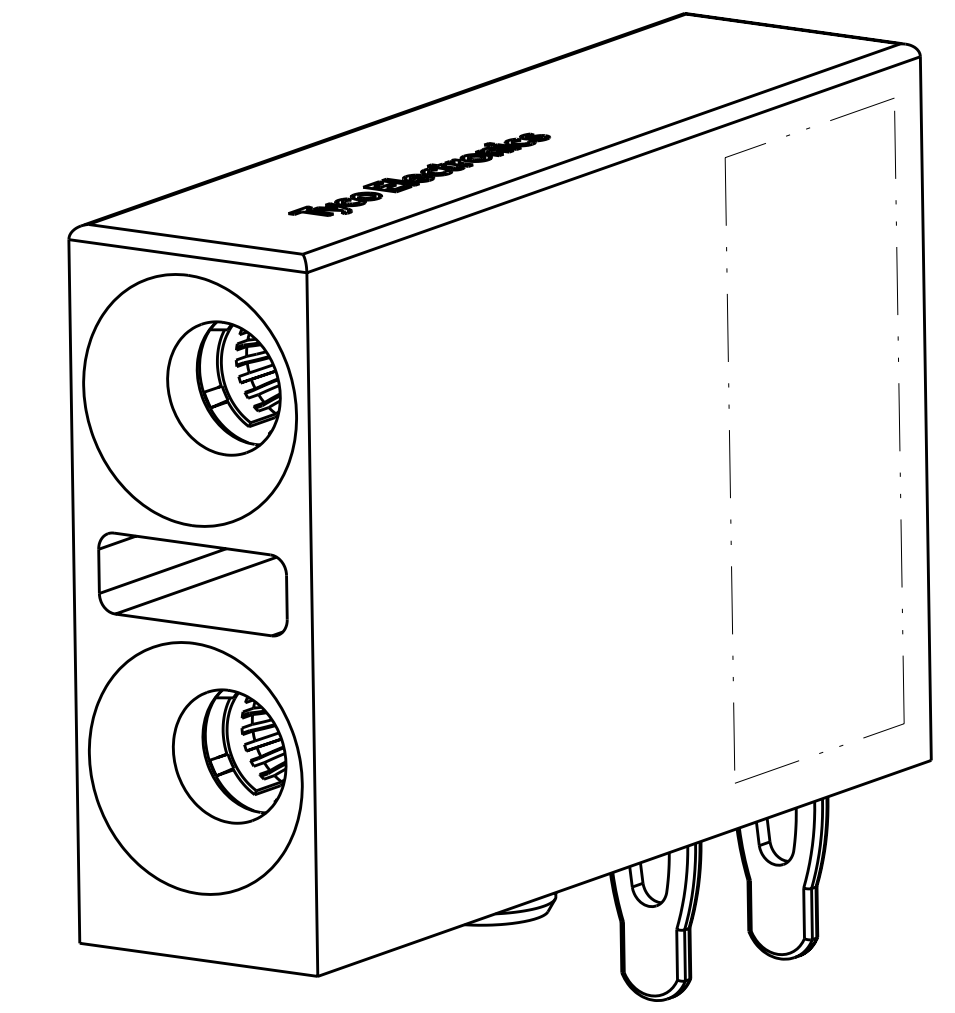
2085181-1  
 PRODUCT NUMBER

<small>THIS DRAWING IS UNPUBLISHED. RELEASED FOR PUBLICATION 20 BY TYCO ELECTRONICS CORPORATION, ALL RIGHTS RESERVED.</small>		DWN: S. PETERS 10MAR2009 CHK: D. DEEIRAUGH 10MAR2009 APVD: D. DEEIRAUGH 10MAR2009	Tyco Electronics Harrisburg, PA 17105-3608
DIMENSIONS: mm 	TOLERANCES UNLESS OTHERWISE SPECIFIED: 0 PLC ± 1 PLC ±0.5 2 PLC ±0.35 3 PLC ± 4 PLC ± ANGLES ±1°	NAME: 2 POSITION, RIGHT ANGLE, 3.17mm DIAMETER, SOCKET ASSEMBLY PRODUCT SPEC: APPLICATION SPEC: WEIGHT: - CUSTOMER DRAWING	SIZE: A   00779   C=2085181 SCALE: 1:1 SHEET 1 OF 2 REV C

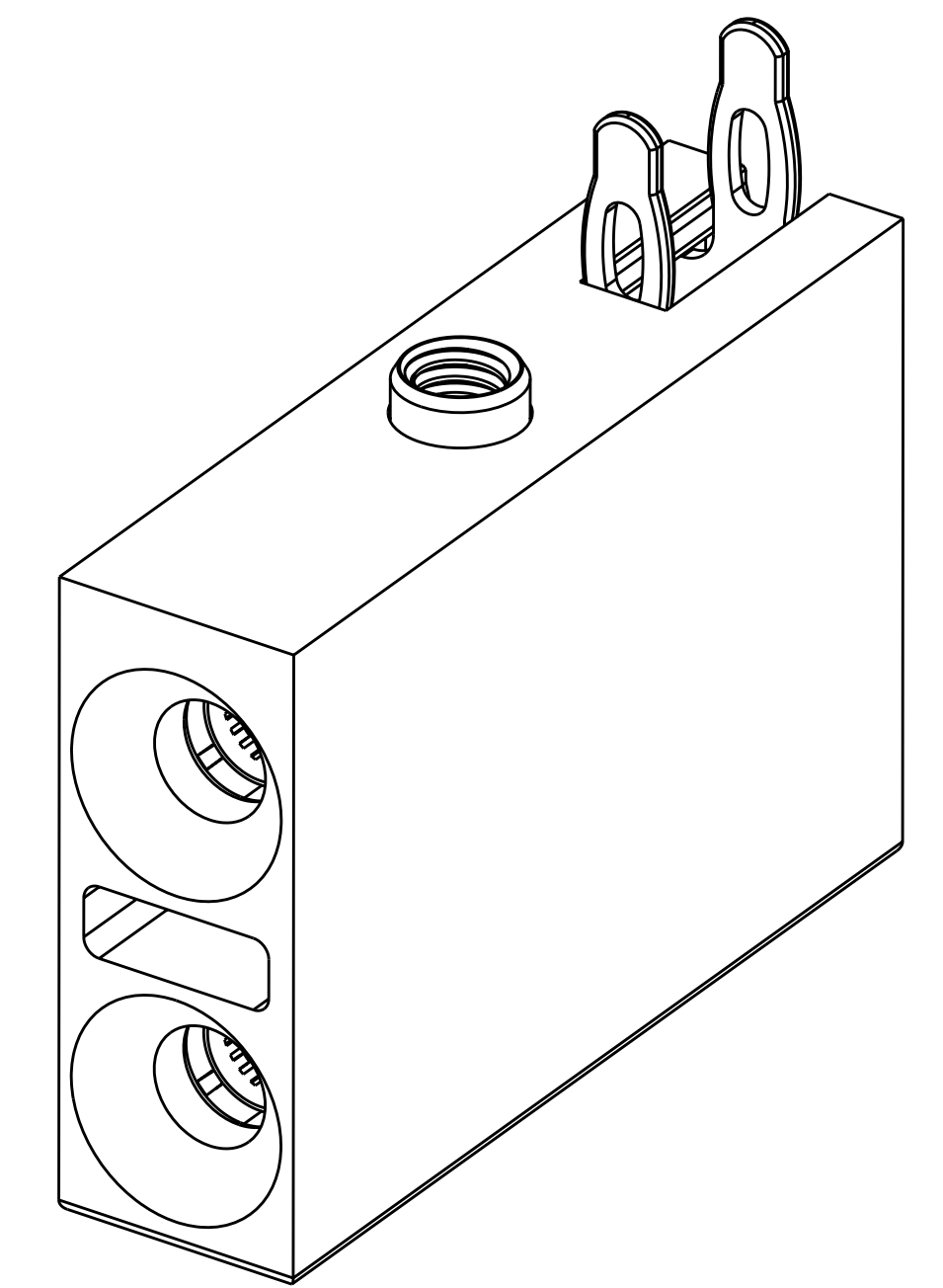
LOC	DIST	REVISIONS			
P	LTR	DESCRIPTION	DATE	DWN	APVD
GP	00	SEE SHEET 1	-	-	-



RECOMMENDED PRINTED CIRCUIT BOARD LAYOUT  
 (AS VIEWED FROM COMPONENT SIDE)  
 MINIMUM PCB THICKNESS  $1.57 \triangle 3$



ISOMETRIC FRONT VIEW



ISOMETRIC BOTTOM VIEW

P/N: 2085181-1

<small>THIS DRAWING IS UNPUBLISHED. RELEASED FOR PUBLICATION. IT IS SUBJECT TO CHANGE WITHOUT NOTICE AND WITHOUT OBLIGATION. SHOULD BE CONTACTED FOR THE LATEST REVISION.</small>		DWN: S. PETERS CHK: D. DEIRAUGH APVD: D. DEIRAUGH	TOMAR2009 TOMAR2009 TOMAR2009	Tyco Electronics Harrisburg, PA 17105-3608
DIMENSIONS: mm 	TOLERANCES UNLESS OTHERWISE SPECIFIED: 9 PLC ± 1 PLC ±0.5 5 PLC ±0.35 4 PLC ± ANGLES ± FINISH ±1*	NAME: 2 POSITION, RIGHT ANGLE, 3.17mm DIAMETER, SOCKET ASSEMBLY PRODUCT SPEC: APPLICATION SPEC: WEIGHT: CUSTOMER DRAWING	SIZE: A CAGE CODE: 100779 DRAWING NO: C=2085181	RESTRICTED TO: SCALE: 1:1 SHEET: 2 OF 2 REV: C