

PLEASE CHECK WWW.MOLEX.COM FOR LATEST PART INFORMATION

Part Number: [0713492015](#)
Status: **Active**
Overview: [cgrid_sl_products](#)
Description: 2.54mm (.100") Pitch C-Grid® Header, Surface Mount, Dual Row, Vertical, Shrouded, 34 Circuits, Tin (Sn) Plating, with Press-fit Plastic Pegs

Documents:

[3D Model](#) [Product Specification PS-71349-001 \(PDF\)](#)
[Drawing \(PDF\)](#) [RoHS Certificate of Compliance \(PDF\)](#)

General

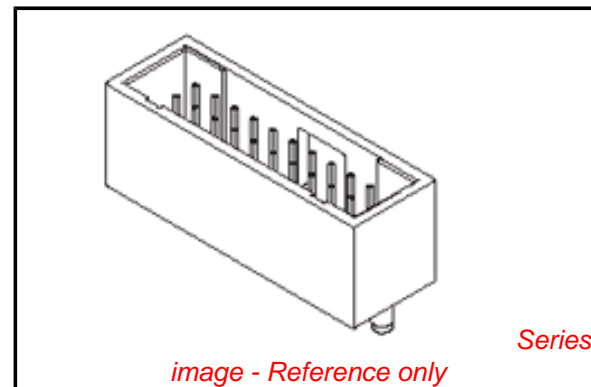
| | |
|----------------|-----------------------------------|
| Product Family | PCB Headers |
| Series | 71349 |
| Application | Wire-to-Board |
| Overview | cgrid_sl_products |
| Product Name | C-Grid® |

Physical

| | |
|--------------------------------|--------------------------------|
| Breakaway | No |
| Circuits (Loaded) | 34 |
| Color - Resin | Black |
| Durability (mating cycles max) | 25 |
| First Mate / Last Break | No |
| Glow-Wire Compliant | No |
| Guide to Mating Part | No |
| Keying to Mating Part | None |
| Lock to Mating Part | Yes |
| Material - Metal | Brass, Phosphor Bronze |
| Material - Plating Mating | Tin |
| Material - Plating Termination | Tin |
| Material - Resin | High Temperature Thermoplastic |
| Number of Rows | 2 |
| Orientation | Vertical |
| PC Tail Length (in) | 0.000 In |
| PC Tail Length (mm) | 0.00 mm |
| PCB Locator | Yes |
| PCB Retention | Yes |
| PCB Thickness Recommended (in) | 0.000 In |
| PCB Thickness Recommended (mm) | 0.00 mm |
| Packaging Type | Tube |
| Pitch - Mating Interface (in) | 0.100 In |
| Pitch - Mating Interface (mm) | 2.54 mm |
| Plating min: Mating (µin) | 150 |
| Plating min: Mating (µm) | 3.75 |
| Plating min: Termination (µin) | 150 |
| Plating min: Termination (µm) | 3.75 |
| Polarized to Mating Part | Yes |
| Shrouded | Fully |
| Stackable | No |
| Temperature Range - Operating | -40°C to +105°C |
| Termination Interface: Style | Surface Mount |

Electrical

| | |
|-------------------------------|------|
| Current - Maximum per Contact | 3A |
| Voltage - Maximum | 250V |



EU RoHS

**ELV and RoHS
Compliant**
REACH SVHC
 Not Reviewed
Halogen-Free
Status
Not Reviewed

China RoHS



**Need more information on product
environmental compliance?**

Email productcompliance@molex.com
 For a multiple part number RoHS Certificate of Compliance, [click here](#)

Please visit the [Contact Us](#) section for any non-product compliance questions.

Search Parts in this Series

[71349Series](#)

Solder Process Data

| | |
|--|---------------------------|
| Duration at Max. Process Temperature (seconds) | 30 |
| Lead-free Process Capability | Reflow Capable (SMT only) |
| Max. Cycles at Max. Process Temperature | 3 |
| Process Temperature max. C | 245 |

Material Info**Reference - Drawing Numbers**

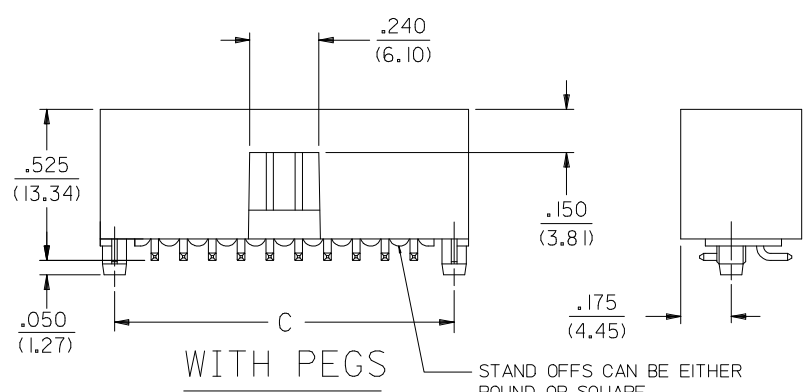
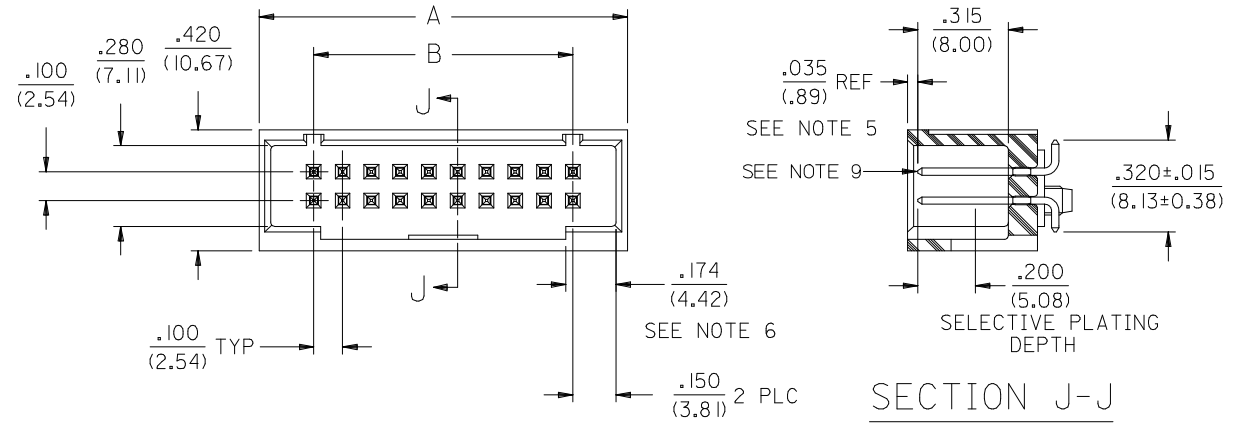
| | |
|-------------------------|------------------------------|
| Packaging Specification | PK-70873-0018, PK-70873-0019 |
| Product Specification | PS-71349-001 |
| Sales Drawing | SDA-71349-**** |

This document was generated on 05/31/2010

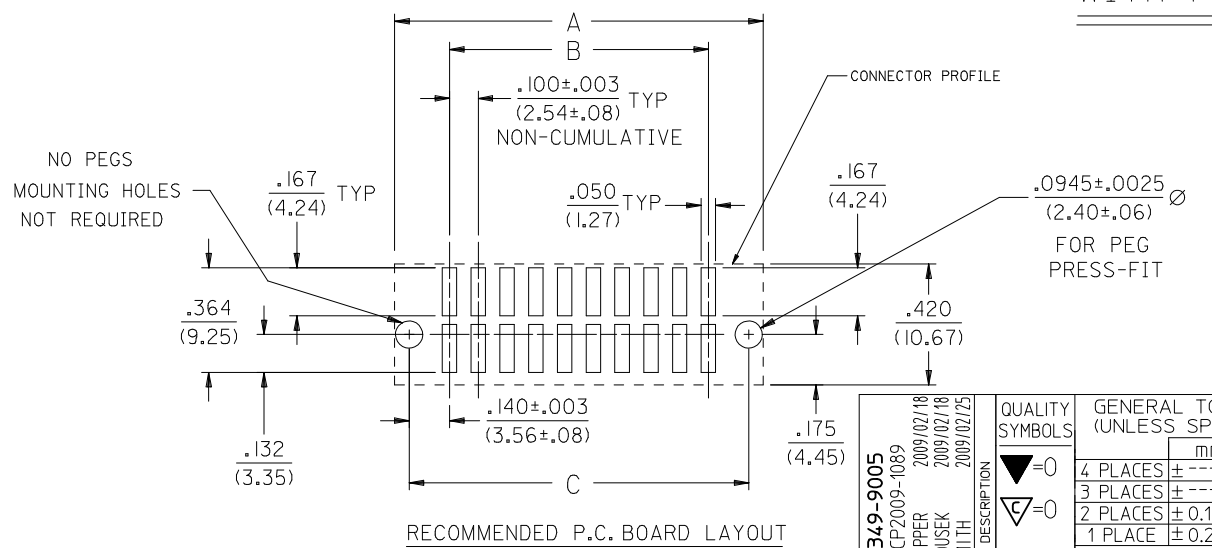
PLEASE CHECK WWW.MOLEX.COM FOR LATEST PART INFORMATION

NOTES:

- 1- MATERIALS:
SHROUDED WAFER: LCP, COLOR: BLACK, 94V-0
PINS: COPPER ALLOY.
- 2- PLATING FINISHES FOR PINS:
TIN: .000150 MINIMUM TIN OVER
.000050 MINIMUM NICKEL.
- 15 GOLD: .000015 MINIMUM GOLD PLATE IN SELECTED AREA AND
.000075 MINIMUM TIN IN SELECTED AREA
OVER .000050 MINIMUM NICKEL OVER-ALL.
- 30 GOLD: .000030 MINIMUM GOLD PLATE IN SELECTED AREA AND
.000075 MINIMUM TIN IN SELECTED AREA
OVER .000050 MINIMUM NICKEL OVER-ALL.
- 3- PRODUCT CONFORMS TO PS-71349-001.
- 4- SEE SHEETS 3 AND 4 FOR PACKAGING DETAILS.
- 5- ROW TO ROW PIN HEIGHT VARIATION MUST NOT EXCEED
.005/(0.13).
- 6- THIS SHOULDER IS .125/(3.18) FOR 6 CIRCUIT ONLY.
.174/(4.42) FOR ALL OTHER CIRCUIT SIZES.
- 7- 20 CIRCUIT SIZE SHOWN FOR ILLUSTRATION PURPOSES.
- 8- PIN SMT TAILS MUST MEET SOLDERABILITY PER
MIL-STD-202, METHOD 208B.
- 9- PIN PUSHOUT FORCE 4 LBS/(17.79N) MINIMUM
IN THE DIRECTION INDICATED.
- 10- PRODUCT MATES TO 70013B (6 TO 50 CKTS).
- 11- PARTS CONFORM TO CLASS B REQUIREMENTS OF
COSMETIC SPECIFICATION PS-45499-002



NOTE FOR LEAD FREE CONVERSION:
THE PRIMARY SHIPPING CARTON WILL BE LABELED "COMPLIANT TO RoHS
DIRECTIVE 2002/95/EC AND ELV ANNEX II OF DIRECTIVE 2000/53/EC".
CARTONS WITHOUT THIS LABEL MAY CONTAIN PRODUCT WITH LEAD.



RECOMMENDED P.C. BOARD LAYOUT

| | |
|-----|-----|
| 4 | I2 |
| 3 | J1 |
| 2 | C |
| 1 | J1 |
| SHT | REV |

| ADD 71349-9005 EC NO: UCP2009-1089 DRWN:MKIPPER 2009/02/18 CHKD:SSOUSEK 2009/02/18 APPR:FSMLTH 2009/02/25 J1 | QUALITY SYMBOLS ▽=0 ▽=0 | GENERAL TOLERANCES (UNLESS SPECIFIED) <table border="1"> <tr> <th></th> <th>mm</th> <th>INCH</th> </tr> <tr> <td>4 PLACES</td> <td>± .---</td> <td>± .---</td> </tr> <tr> <td>3 PLACES</td> <td>± .---</td> <td>± .005</td> </tr> <tr> <td>2 PLACES</td> <td>± 0.13</td> <td>± .01</td> </tr> <tr> <td>1 PLACE</td> <td>± 0.25</td> <td>± .---</td> </tr> </table> ANGULAR ±1/2° | | mm | INCH | 4 PLACES | ± .--- | ± .--- | 3 PLACES | ± .--- | ± .005 | 2 PLACES | ± 0.13 | ± .01 | 1 PLACE | ± 0.25 | ± .--- | DIMENSION STYLE IN/MM | SCALE 3:1 | DESIGN UNITS INCH | THIRD ANGLE PROJECTION |
|---|-------------------------------|---|--------|------------------------------------|------|--|---|--------|----------|--------|--------|----------|--------|-------|---------|--------|--------|--------------------------|--------------|----------------------|------------------------|
| | | mm | INCH | | | | | | | | | | | | | | | | | | |
| | 4 PLACES | ± .--- | ± .--- | | | | | | | | | | | | | | | | | | |
| | 3 PLACES | ± .--- | ± .005 | | | | | | | | | | | | | | | | | | |
| 2 PLACES | ± 0.13 | ± .01 | | | | | | | | | | | | | | | | | | | |
| 1 PLACE | ± 0.25 | ± .--- | | | | | | | | | | | | | | | | | | | |
| DRAWN BY DATE RB 10/26/1992 | | CHECKED BY DATE DJB 10/26/1992 | | APPROVED BY DATE DJB 10/26/1992 | | TITLE SALES ASSY, WAFER-4 SIDES SHROUDED, HIGH TEMP, SMT POLAR SLOTS, .100 GRID | | | | | | | | | | | | | | | |
| MATERIAL NO. SEE TABLE | | DOCUMENT NO. SDA-71349-**** | | SHEET NO. 1 OF 4 | | | | | | | | | | | | | | | | | |
| DRAFT WHERE APPLICABLE MUST REMAIN WITHIN DIMENSIONS | | | | | | | THIS DRAWING CONTAINS INFORMATION THAT IS PROPRIETARY TO MOLEX INCORPORATED AND SHOULD NOT BE USED WITHOUT WRITTEN PERMISSION | | | | | | | | | | | | | | |

| NO. OF CKTS | "A" | | "B" | | "C" | |
|-------------|---------------|------------|---------------|------------|---------------|------------|
| | INCH ±.005 | MM ±.13 | INCH ±.003 | MM ±.08 | INCH ±.003 | MM ±.08 |
| 06 | .580 | 14.73 | .200 | 5.08 | .480 | 12.19 |
| 08 | .680 | 17.27 | .300 | 7.62 | .580 | 14.73 |
| 10 | .780 | 19.81 | .400 | 10.16 | .680 | 17.27 |
| 12 | .880 | 22.35 | .500 | 12.70 | .780 | 19.81 |
| 14 | .980 | 24.89 | .600 | 15.24 | .880 | 22.35 |
| 16 | 1.080 | 27.43 | .700 | 17.78 | .980 | 24.89 |
| 18 | 1.180 | 29.97 | .800 | 20.32 | 1.080 | 27.43 |
| 20 | 1.280 | 32.51 | .900 | 22.86 | 1.180 | 29.97 |
| 22 | 1.380 | 35.05 | 1.000 | 25.40 | 1.280 | 32.51 |
| 24 | 1.480 | 37.59 | 1.100 | 27.94 | 1.380 | 35.05 |
| 26 | 1.580 | 40.13 | 1.200 | 30.48 | 1.480 | 37.59 |
| 28 | 1.680 | 42.67 | 1.300 | 33.02 | 1.580 | 40.13 |
| 30 | 1.780 | 45.21 | 1.400 | 35.56 | 1.680 | 42.67 |
| 32 | 1.880 | 47.75 | 1.500 | 38.10 | 1.780 | 45.21 |
| 34 | 1.980 | 50.29 | 1.600 | 40.64 | 1.880 | 47.75 |
| 36 | 2.080 | 52.83 | 1.700 | 43.18 | 1.980 | 50.29 |
| 38 | 2.180 | 55.37 | 1.800 | 45.72 | 2.080 | 52.83 |
| 40 | 2.280 | 57.91 | 1.900 | 48.26 | 2.180 | 55.37 |
| 42 | 2.380 | 60.45 | 2.000 | 50.80 | 2.280 | 57.91 |
| 44 | 2.480 | 62.99 | 2.100 | 53.34 | 2.380 | 60.45 |
| 46 | 2.580 | 65.53 | 2.200 | 55.88 | 2.480 | 62.99 |
| 48 | 2.680 | 68.07 | 2.300 | 58.42 | 2.580 | 65.53 |
| 50 | 2.780 | 70.61 | 2.400 | 60.96 | 2.680 | 68.07 |
| 52 | 2.880 | 73.15 | 2.500 | 63.50 | 2.780 | 70.61 |
| 54 | 2.980 | 75.69 | 2.600 | 66.04 | 2.880 | 73.15 |
| 56 | 3.080 | 78.23 | 2.700 | 68.58 | 2.980 | 75.69 |
| 58 | 3.180 | 80.77 | 2.800 | 71.12 | 3.080 | 78.23 |
| 60 | 3.280 | 83.31 | 2.900 | 73.66 | 3.180 | 80.77 |
| 62 | 3.380 | 85.85 | 3.000 | 76.20 | 3.280 | 83.31 |
| 64 | 3.480 | 88.39 | 3.100 | 78.74 | 3.380 | 85.85 |
| 66 | 3.580 | 90.93 | 3.200 | 81.28 | 3.480 | 88.39 |
| 68 | 3.680 | 93.47 | 3.300 | 83.82 | 3.580 | 90.93 |
| 70 | 3.780 | 96.01 | 3.400 | 86.36 | 3.680 | 93.47 |
| 72 | 3.880 | 98.55 | 3.500 | 88.90 | 3.780 | 96.01 |

| | |
|---|-------------|
| C | SEE SHEET 1 |
| B | SEE SHEET 1 |
| A | SEE SHEET 1 |

| MFG. | SH. | REV. | LTR. | REVISIONS |
|------|-----|------|------|-----------|
| | | | | |

DIMENSIONS SHOWN (METRIC) INCH
UNLESS OTHERWISE SPECIFIED
TOLERANCES: ANGULAR ± 1/2°

| INCH | | METRIC |
|---------|---------|--------|
| 3 PLACE | ± -- -- | -- |
| 2 PLACE | ± -- -- | ± -- |
| 1 PLACE | -- | ± -- |

DRAFT WHERE APPLICABLE MUST
REMAIN WITHIN DIMENSIONS

DRWG. BY: WGM CHK'D. BY: DJB
APP'D. BY: DJB SCALE: N : A

▽ = 0 ▽ = 0 REVISE ONLY ON CAD SYSTEM

TITLE: WAFER-4 SIDES SHROUDED,
HIGH TEMP, .150 END WALL, POLAR
SLOTS, .100 GRID, SURFACE MOUNT

moLEX MOLEX INCORPORATED SHEET NO. 2 DATE 6/10/96
LISLE, ILL. 60532 U.S.A.

PART NO. DRWG. NO. SEE CHART SDA-71349-****

FILE NAME: S71349X2 THIS DRAWING CONTAINS INFORMATION THAT IS PROPRIETARY TO MOLEX INC. AND SHOULD NOT BE USED WITHOUT WRITTEN PERMISSION. DIV. DA SIZE C

71349

| WITH PEGS | | | | | | | WITHOUT PEGS | | | | | | |
|----------------|------------------------|-----------------------------|------------------------|-----------------------------|------------------------|-----------------------------|----------------|------------------------|-----------------------------|------------------------|-----------------------------|------------------------|-----------------------------|
| PLATING | TIN | | 15 GOLD | | 30 GOLD | | PLATING | TIN | | 15 GOLD | | 30 GOLD | |
| PACKAGING | TUBES PK-70873-0019 | TAPE & REEL PK-71349-001 | TUBES PK-70873-0019 | TAPE & REEL PK-71349-001 | TUBES PK-70873-0019 | TAPE & REEL PK-71349-001 | PACKAGING | TUBES PK-70873-0018 | TAPE & REEL PK-71349-001 | TUBES PK-70873-0018 | TAPE & REEL PK-71349-001 | TUBES PK-70873-0018 | TAPE & REEL PK-71349-001 |
| NO. OF CKTS | ASSEMBLY ITEM NO. | | ASSEMBLY ITEM NO. | | ASSEMBLY ITEM NO. | ASSEMBLY ITEM NO. | NO. OF CKTS | ASSEMBLY ITEM NO. | ASSEMBLY ITEM NO. | ASSEMBLY ITEM NO. | ASSEMBLY ITEM NO. | ASSEMBLY ITEM NO. | ASSEMBLY ITEM NO. |
| 06 | 71349-2001 | | 71349-2035 | | 71349-2069 | | 06 | 71349-1001 | | 71349-1035 | | 71349-1069 | |
| 08 | 71349-2002 | | 71349-2036 | | 71349-2070 | | 08 | 71349-1002 | 71349-9002 | 71349-1036 | 71349-0036 | 71349-1070 | 71349-5036 |
| 10 | 71349-2003 | 71349-6003 | 71349-2037 | 71349-8037 | 71349-2071 | 71349-4071 | 10 | 71349-1003 | 71349-9003 | 71349-1037 | 71349-0037 | 71349-1071 | 71349-5037 |
| 12 | 71349-2004 | | 71349-2038 | | 71349-2072 | | 12 | 71349-1004 | | 71349-1038 | | 71349-1072 | |
| 14 | 71349-2005 | | 71349-2039 | | 71349-2073 | | 14 | 71349-1005 | 71349-9005 | 71349-1039 | | 71349-1073 | |
| 16 | 71349-2006 | | 71349-2040 | | 71349-2074 | | 16 | 71349-1006 | | 71349-1040 | 71349-0040 | 71349-1074 | |
| 18 | 71349-2007 | | 71349-2041 | | 71349-2075 | | 18 | 71349-1007 | | 71349-1041 | | 71349-1075 | |
| 20 | 71349-2008 | 71349-6008 | 71349-2042 | 71349-8042 | 71349-2076 | 71349-4076 | 20 | 71349-1008 | 71349-9008 | 71349-1042 | 71349-0042 | 71349-1076 | 71349-5042 |
| 22 | 71349-2009 | | 71349-2043 | | 71349-2077 | | 22 | 71349-1009 | | 71349-1043 | | 71349-1077 | |
| 24 | 71349-2010 | | 71349-2044 | | 71349-2078 | | 24 | 71349-1010 | | 71349-1044 | | 71349-1078 | |
| 26 | 71349-2011 | | 71349-2045 | | 71349-2079 | | 26 | 71349-1011 | | 71349-1045 | | 71349-1079 | |
| 28 | 71349-2012 | | 71349-2046 | | 71349-2080 | | 28 | 71349-1012 | | 71349-1046 | | 71349-1080 | |
| 30 | 71349-2013 | | 71349-2047 | | 71349-2081 | | 30 | 71349-1013 | | 71349-1047 | | 71349-1081 | |
| 32 | 71349-2014 | | 71349-2048 | | 71349-2082 | | 32 | 71349-1014 | | 71349-1048 | | 71349-1082 | |
| 34 | 71349-2015 | | 71349-2049 | | 71349-2083 | | 34 | 71349-1015 | | 71349-1049 | | 71349-1083 | |
| 36 | 71349-2016 | | 71349-2050 | | 71349-2084 | | 36 | 71349-1016 | | 71349-1050 | | 71349-1084 | |
| 38 | 71349-2017 | | 71349-2051 | | 71349-2085 | | 38 | 71349-1017 | | 71349-1051 | | 71349-1085 | |
| 40 | 71349-2018 | | 71349-2052 | | 71349-2086 | | 40 | 71349-1018 | | 71349-1052 | | 71349-1086 | |
| 42 | 71349-2019 | | 71349-2053 | | 71349-2087 | | 42 | 71349-1019 | | 71349-1053 | | 71349-1087 | |
| 44 | 71349-2020 | | 71349-2054 | | 71349-2088 | | 44 | 71349-1020 | | 71349-1054 | | 71349-1088 | |
| 46 | 71349-2021 | | 71349-2055 | | 71349-2089 | | 46 | 71349-1021 | | 71349-1055 | | 71349-1089 | |
| 48 | 71349-2022 | | 71349-2056 | | 71349-2090 | | 48 | 71349-1022 | | 71349-1056 | | 71349-1090 | |
| 50 | 71349-2023 | 71349-6023 | 71349-2057 | 71349-8057 | 71349-2091 | 71349-4091 | 50 | 71349-1023 | 71349-9023 | 71349-1057 | 71349-0057 | 71349-1091 | 71349-5057 |
| 52 | 71349-2024 | | 71349-2058 | | 71349-2092 | | 52 | 71349-1024 | | 71349-1058 | | 71349-1092 | |
| 54 | 71349-2025 | | 71349-2059 | | 71349-2093 | | 54 | 71349-1025 | | 71349-1059 | | 71349-1093 | |
| 56 | 71349-2026 | | 71349-2060 | | 71349-2094 | | 56 | 71349-1026 | | 71349-1060 | | 71349-1094 | |
| 58 | 71349-2027 | | 71349-2061 | | 71349-2095 | | 58 | 71349-1027 | | 71349-1061 | | 71349-1095 | |
| 60 | 71349-2028 | | 71349-2062 | | 71349-2096 | | 60 | 71349-1028 | | 71349-1062 | | 71349-1096 | |
| 62 | 71349-2029 | | 71349-2063 | | 71349-2097 | | 62 | 71349-1029 | | 71349-1063 | | 71349-1097 | |
| 64 | 71349-2030 | | 71349-2064 | | 71349-2098 | | 64 | 71349-1030 | | 71349-1064 | | 71349-1098 | |
| 66 | 71349-2031 | | 71349-2065 | | 71349-2099 | | 66 | 71349-1031 | | 71349-1065 | | 71349-1099 | |
| 68 | 71349-2032 | | 71349-2066 | | 71349-2100 | | 68 | 71349-1032 | | 71349-1066 | | 71349-1100 | |
| 70 | 71349-2033 | | 71349-2067 | | 71349-2101 | | 70 | 71349-1033 | | 71349-1067 | | 71349-1101 | |
| 72 | 71349-2034 | | 71349-2068 | | 71349-2102 | | 72 | 71349-1034 | | 71349-1068 | | 71349-1102 | |

| ADD 71349-9005 EC NO: UCP2009-1089 DRAWN/KIPPER 2009/02/18 CHKD:SSOUSEK 2009/02/18 APPR:FSMLTH 2009/02/25 REV: J1 | QUALITY SYMBOLS ▽=0 ▽=0 | GENERAL TOLERANCES (UNLESS SPECIFIED) <table border="1"> <tr><th></th><th>mm</th><th>INCH</th></tr> <tr><td>4 PLACES</td><td>± ---</td><td>± ---</td></tr> <tr><td>3 PLACES</td><td>± ---</td><td>± ---</td></tr> <tr><td>2 PLACES</td><td>± ---</td><td>± ---</td></tr> <tr><td>1 PLACE</td><td>± ---</td><td>± ---</td></tr> </table> | | mm | INCH | 4 PLACES | ± --- | ± --- | 3 PLACES | ± --- | ± --- | 2 PLACES | ± --- | ± --- | 1 PLACE | ± --- | ± --- | DIMENSION STYLE IN/MM DRAWN BY DATE MGM 06/10/1996 CHECKED BY DATE DJB 06/10/1996 APPROVED BY DATE DJB 06/10/1996 | SCALE --- DESIGN UNITS INCH THIRD ANGLE PROJECTION | TITLE SALES ASSY,4-SIDES SHROUDED, HIGH TEMP, SMT POLAR SLOTS, .150 GRID | MATERIAL NO. SEE TABLE | DOCUMENT NO. SDA-71349-**** | SHEET NO. 3 OF 4 |
|---|-------------------------------|--|-------|--|------|----------|-------|-------|----------|-------|-------|----------|-------|-------|---------|-------|-------|---|---|--|----------------------------------|---------------------------------------|----------------------------|
| | | mm | INCH | | | | | | | | | | | | | | | | | | | | |
| | 4 PLACES | ± --- | ± --- | | | | | | | | | | | | | | | | | | | | |
| | 3 PLACES | ± --- | ± --- | | | | | | | | | | | | | | | | | | | | |
| | 2 PLACES | ± --- | ± --- | | | | | | | | | | | | | | | | | | | | |
| 1 PLACE | ± --- | ± --- | | | | | | | | | | | | | | | | | | | | | |
| DRAFT WHERE APPLICABLE MUST REMAIN WITHIN DIMENSIONS | | MOLEX INCORPORATED | | THIS DRAWING CONTAINS INFORMATION THAT IS PROPRIETARY TO MOLEX INCORPORATED AND SHOULD NOT BE USED WITHOUT WRITTEN PERMISSION | | | | | | | | | | | | | | | | | | | |