

SP2T

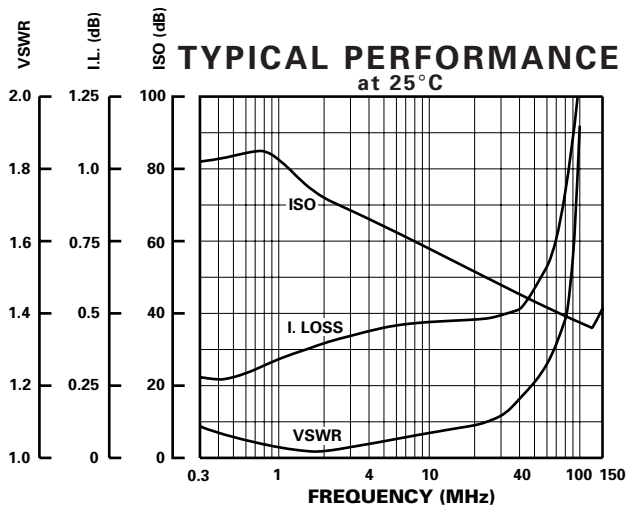
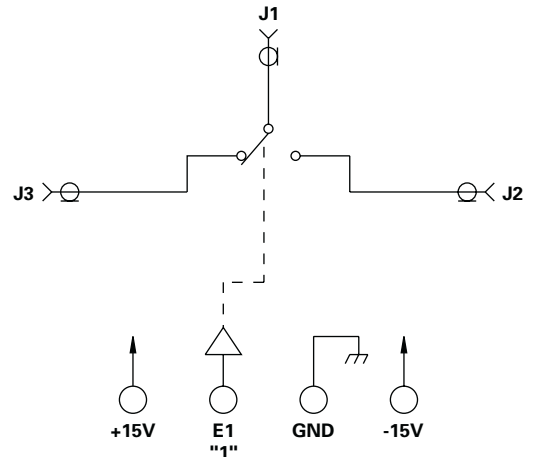
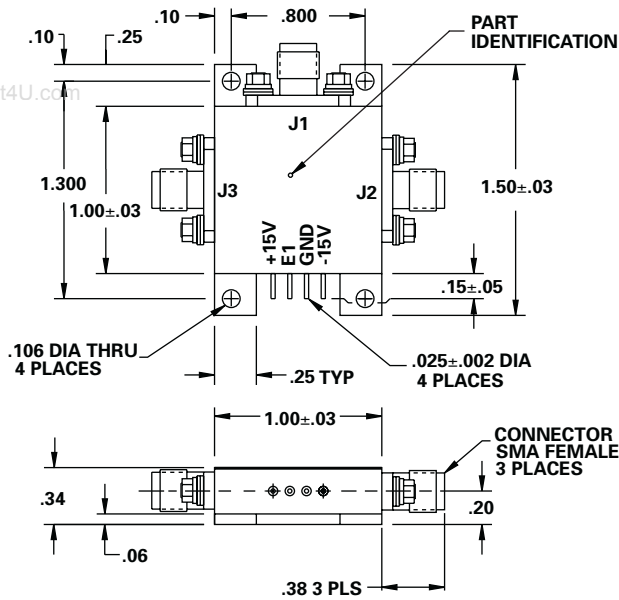
## FEATURES

- 0.5 - 30 MHz
- High Intercept Points
- 0.6 dB Insertion Loss
- 6 mA, ±15 VDC
- Reflective
- TTL Control



# MODEL NO. DSW26182

GaAs SP2T



Logic Table	
"0"	J1 To J2
"1"	J1 To J3

## GUARANTEED PERFORMANCE

Parameter	Min	Typ	Max	Units	Conditions
Operating Frequency	0.5		30	MHz	
DC Current		6	30	mA	At +15 VDC Supply
		5	30	mA	At -15 VDC Supply
Control Type		TTL			1 Line Logic "1" = J1 to J3
Control Current	High	0		μA	V <sub>IH</sub> = +2.7V
	Low	0		μA	V <sub>IL</sub> = +0.5V
Insertion Loss		0.5	0.7	dB	
Isolation	35	48		dB	
VSWR	Thru	1.15/1	1.5/1		
Impedance		50		OHMS	
Switching Speed		18	100	μSEC	50% TTL to 90% / 10% RF
Transition (Rise/Fall) Time		8		μSEC	10% / 90% or 90% / 10% RF
Switching (Video) Transients		-90	-73	dBm	In 3 KHz BW at 1KHz PRF
Intercept Points	2nd	+80	+83	dBm	
	3rd	+47	+57	dBm	
RF Power	Operate		+37	dBm	1.0 dB Compression
	No Damage		+32	dBm	
Operating Temperature	0	+25	+95	°C	TA