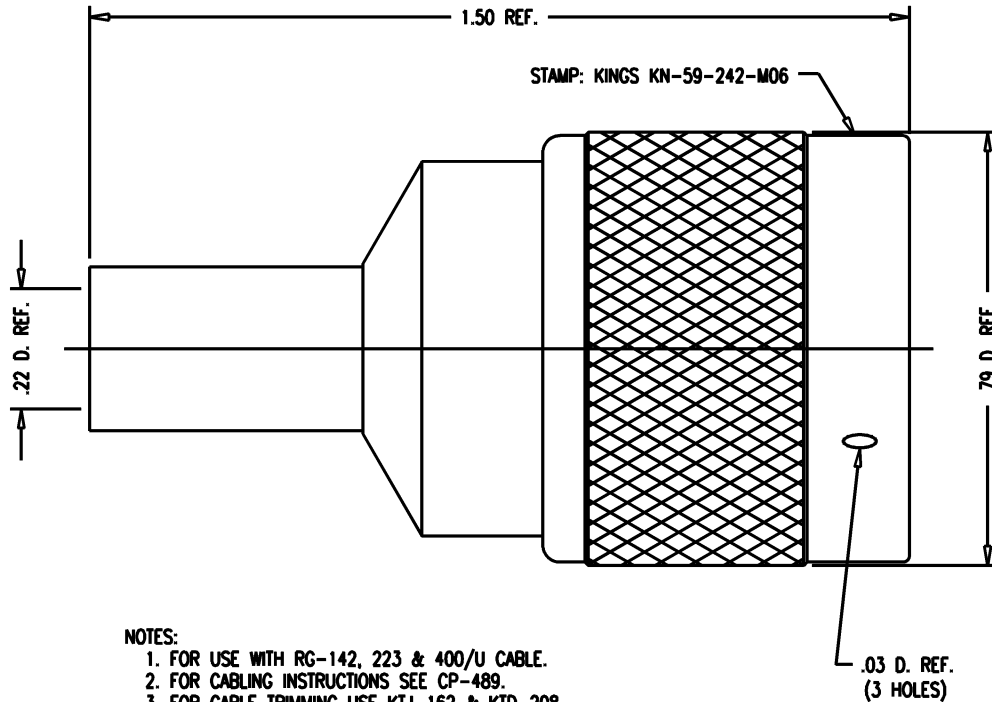


# GSD



**NOTES:**

1. FOR USE WITH RG-142, 223 & 400/U CABLE.
2. FOR CABLING INSTRUCTIONS SEE CP-489.
3. FOR CABLE TRIMMING USE KTJ-162 & KTD-208.
4. FOR CRIMPING USE DIE KTH-2042.
5. INTERFACE PER MIL-STD-348, FIG. 304-1.
6. CENTER CONTACT SUPPLIED UNASSEMBLED.
7. MATERIALS:
  - INSULATOR: TEFLON, ASTM-D-1457
  - GASKET: SILICONE RUBBER, ZZ-R-765
  - OUTER CONTACT } PHOSPHOR BRONZE, QQ-B-750
  - C-RING }
  - ALL OTHER METAL PARTS: BRASS, ASTM-B16
8. FINISHES:
  - CONTACT: HARD GOLD PLATE PER MIL-G-45204
  - OUTER CONTACT: SILVER PLATE PER QQ-S-365
  - ALL OTHER METAL PARTS: KINGS TARNISH RESISTANT FINISH (TR-5)
9. ELECTRICAL CHARACTERISTICS:
  - NOMINAL IMPEDANCE: 50 OHMS
  - WORKING VOLTAGE: 1000 VRMS
  - FREQUENCY RANGE: DC TO 11 GHz

KN-59-242-M06

**REVISIONS**

ISSUE	CHANGES
4	CN 34063 C REDRAWN JCA 09/10/92

JCA3104

SCALE 4:1	
APPROX SURFACE AREA	
USED ON	
REF:	
PLUG, N	
DRAWN JCA	DATE 09/10/92
DESIGN LI	DATE 09/11/92
APPR.	DATE

**KINGS**  
ELECTRONICS CO., INC.  
TUCKAHOE, NEW YORK 10707

KN-59-242-M06

# GSD