



Single Port PoE Vertical RJ45 Connector

ARV11-3666

- Vertical Mount
- PoE Enabled
- Diode Bridge / No LEDs
- 6u" Gold Plated Contacts



Electrical Specifications @ 25°C

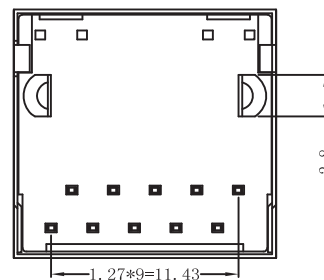
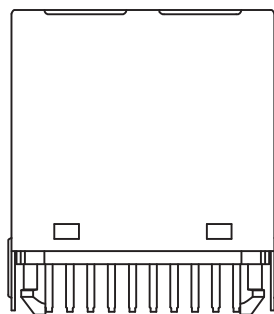
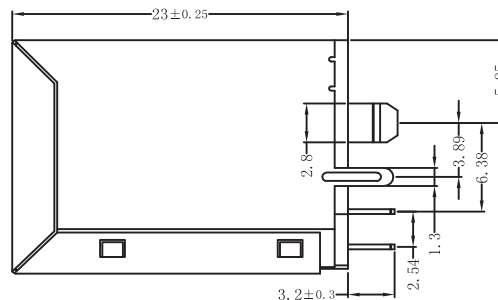
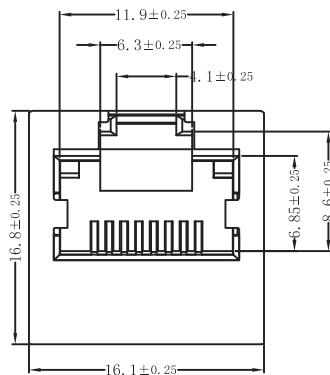
Part Number	OCL(uH Min) @ 100kHz, 0.1V With 8mA DC Bias	Turns Ratio chip: cable (±3%)	Insertion Loss (dB Max)	Return Loss (dB Min)			
			1-100MHz	1-30MHz	30-60MHz	60-80MHz	70-100MHz
ARV11-3666	350	1CT:1CT	-1.0	-18	-15	-12	-10

Electrical Specifications @ 25°C

Part Number	Cross Talk (dB Min)	CMR (dB Min)	HI-POT (VDC) 60Sec.
	1-100MHz	1-100MHz	
ARV11-3666	-30	-30	1500

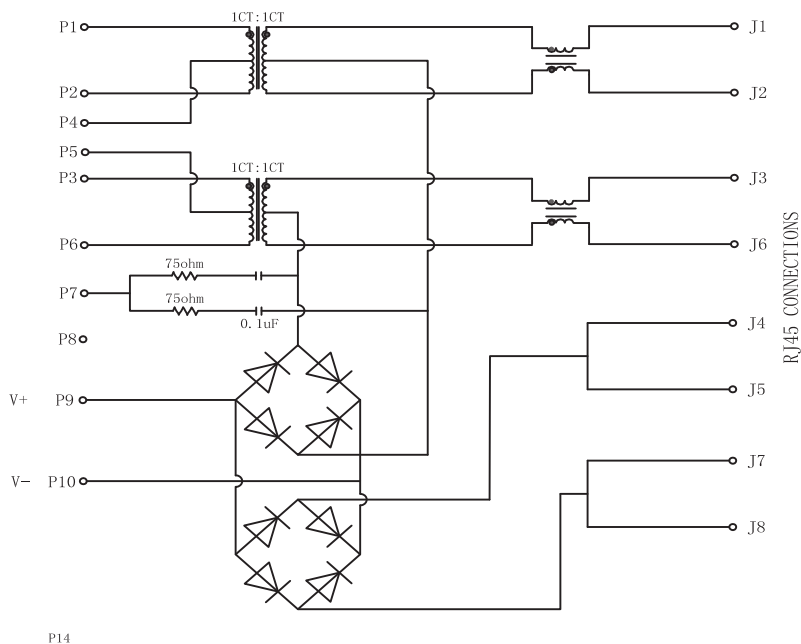
All specifications subject to change without notice.

MECHANICAL

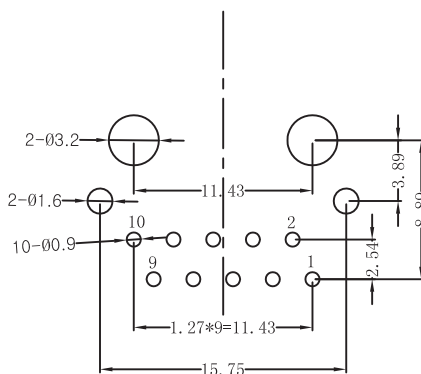




**SCHEMATICS**



**PCB LAYOUT**



**NOTES**

1. Housing Material: Thermoplastic (UL94V-0)
2. Contact Material: PhosphorBronze; t=0.35mm
  - A. Contact Area: Gold over nickel
  - B. Contact Plating: 6u"
  - C. Solder Area: Tin over nickel
3. Shield Material Brass C2680H t=0.2mm Nickel over Brass