

151-004 • M55116/11 – /14
U-228 • MIL-DTL-55116 Type In-Line Receptacle

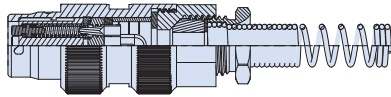


MIL-DTL-55116 Type
Audio Connectors

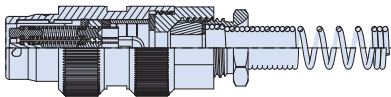
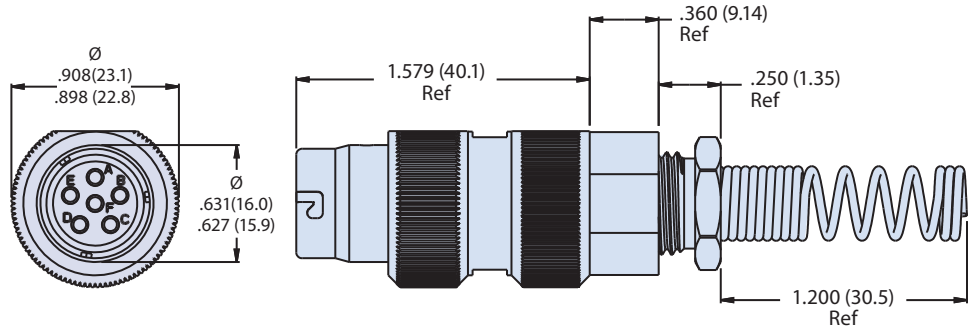
MIL-DTL-38999 type in-line audio receptacle with wire strain relief



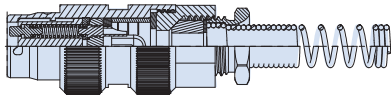
These Series 151 MIL-DTL-38999 Type in-line audio receptacle are designed for high-reliability tactical communications equipment. They are available in both 5 pin and 6 pin configurations, with either crimp sleeve or solder cup pogo pin terminals. All feature wire strain relief to protect cable conductors from damage. Shells are made of passivated stainless steel, contacts are gold plated copper alloy. Receptacle connector contacts are sealed in the unmated condition.



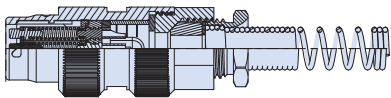
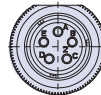
**U-228 Receptacle,
5 Crimp Contacts**



**U-228 Receptacle,
6 Crimp Contacts**



**U-228 Receptacle,
5 Solder Cup
Contacts**



**U-228 Receptacle,
6 Solder Cup
Contacts**



No. of Contacts	Contact Type	Ø Cable ± .010	MIL SPEC Part Number	Glenair Part Number	Mates With
5	Crimp	.165	M55116/11-1	151-004-1-1	151-001-1 151-001-3 151-002-1 151-002-3
		.228	M55116/11-2	151-004-1-2	
		.250	M55116/11-3	151-004-1-3	
		.290	M55116/11-4	151-004-1-4	
		.320	M55116/11-5	151-004-1-5	
6	Crimp	.165	M55116/12-1	151-004-2-1	151-001-2 151-001-4 151-002-2 151-002-4
		.228	M55116/12-2	151-004-2-2	
		.250	M55116/12-3	151-004-2-3	
		.290	M55116/12-4	151-004-2-4	
		.320	M55116/12-5	151-004-2-5	
5	Solder Cup	.165	M55116/13-1	151-004-3-1	151-001-1 151-001-3 151-002-1 151-002-3
		.228	M55116/13-2	151-004-3-2	
		.250	M55116/13-3	151-004-3-3	
		.290	M55116/13-4	151-004-3-4	
		.320	M55116/13-5	151-004-3-5	
6	Solder Cup	.165	M55116/14-1	151-004-4-1	151-001-2 151-001-4 151-002-2 151-002-4
		.228	M55116/14-2	151-004-4-2	
		.250	M55116/14-3	151-004-4-3	
		.290	M55116/14-4	151-004-4-4	
		.320	M55116/14-5	151-004-4-5	