



18N40

Power MOSFET

18A, 400V N-CHANNEL POWER MOSFET

■ DESCRIPTION

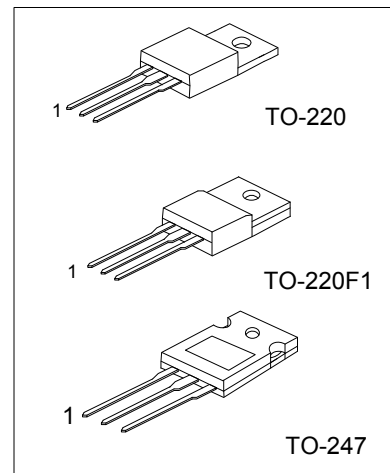
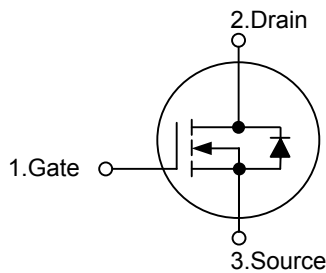
The UTC **18N40** is a 400V N-channel power MOSFET, providing customers with perfect $R_{DS(ON)}$, low gate charge and operation with low gate voltages.

The UTC **18N40** is generally used as a load switch or applied in PWM applications.

■ FEATURES

- * $R_{DS(ON)} \leq 0.24\Omega @ V_{GS} = 10V$
- * Fast Switching Speed
- * Avalanche Energy Specified

■ SYMBOL



■ ORDERING INFORMATION

Ordering Number		Package	Pin Assignment			Packing
Lead Free	Halogen-Free		1	2	3	
18N40L-TA3-T	18N40G-TA3-T	TO-220	G	D	S	Tube
18N40L-TF1-T	18N40G-TF1-T	TO-220F1	G	D	S	Tube
18N40L-T47-T	18N40G-T47-T	TO-247	G	D	S	Tube

<p>18N40G-TA3-T</p> <p>└── (1)Packing Type</p> <p>└── (2)Package Type</p> <p>└── (3)Halogen Free</p>	<p>(1) T: Tube</p> <p>(2) TA3: TO-220, T47: TO-247, TF1: TO-220F1</p> <p>(3) G: Halogen Free, L: Lead Free</p>
--	--

■ ABSOLUTE MAXIMUM RATINGS (T_C =25°C, unless otherwise specified)

PARAMETER		SYMBOL	RATINGS	UNIT
Drain-Source Voltage		V _{DSS}	400	V
Gate-Source Voltage		V _{GSS}	±30	V
Drain Current	Continuous	I _D	18	A
	Pulsed	I _{DM}	72	A
Avalanche Current		I _{AR}	18	A
Avalanche Energy	Single Pulsed	E _{AS}	1000	mJ
	Repetitive	E _{AR}	30	mJ
Peak Diode Recovery dv/dt		dv/dt	10	V/ns
Power Dissipation	TO-220	P _D	235	W
	TO-220F1		38.5	
	TO-247		360	
Junction Temperature		T _J	150	°C
Storage Temperature		T _{STG}	-55 ~ +150	°C

Note: 1. Absolute maximum ratings are those values beyond which the device could be permanently damaged.

Absolute maximum ratings are stress ratings only and functional device operation is not implied.

■ THERMAL DATA

PARAMETER		SYMBOL	RATINGS	UNIT
Junction to Case	TO-220	θ _{JC}	0.53	°C/W
	TO-220F1		3.3	
	TO-247		0.35	

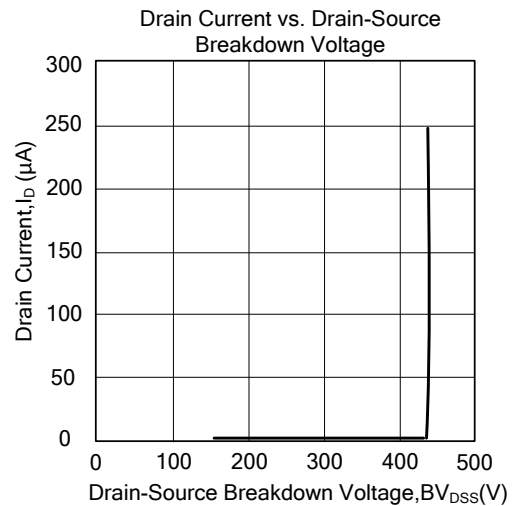
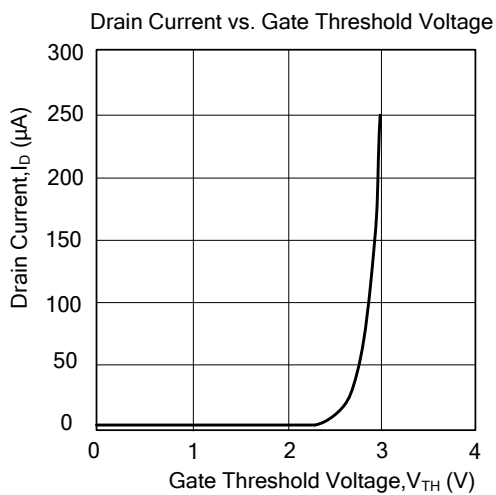
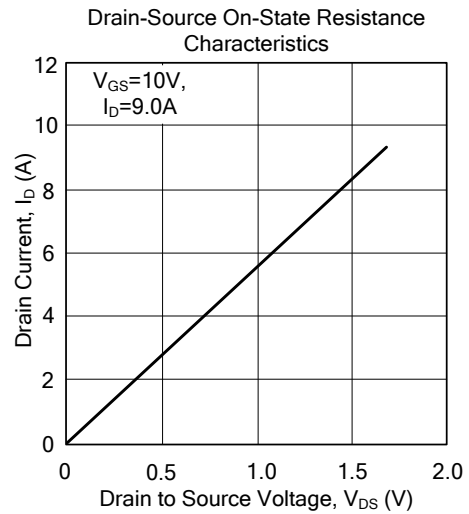
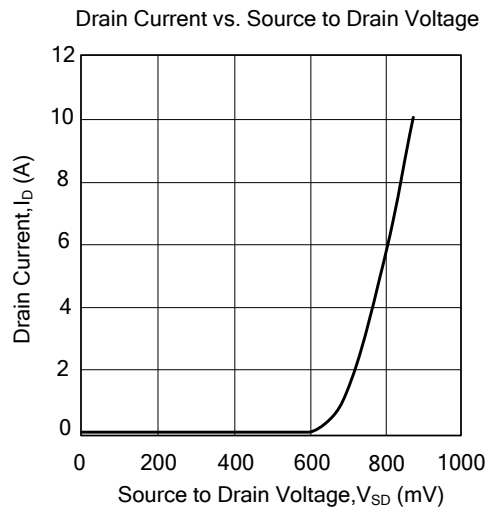
■ ELECTRICAL CHARACTERISTICS (T_J =25°C, unless otherwise specified)

PARAMETER	SYMBOL	TEST CONDITIONS	MIN	TYP	MAX	UNIT
OFF CHARACTERISTICS						
Drain-Source Breakdown Voltage	BV _{DSS}	V _{GS} =0V, I _D =250μA	400			V
Drain-Source Leakage Current	I _{DSS}	V _{DS} =400V, V _{GS} =0V			25	μA
Gate-Body Leakage Current	I _{GSS}	V _{DS} =0V, V _{GS} =±30V			±100	nA
ON CHARACTERISTICS						
Gate Threshold Voltage	V _{GS(TH)}	V _{DS} =V _{GS} , I _D =250μA	2.0		4.0	V
Static Drain-Source On-Resistance	R _{DS(ON)}	V _{GS} =10V, I _D =9A		0.18	0.24	Ω
DYNAMIC PARAMETERS						
Input Capacitance	C _{ISS}	V _{DS} =25V, V _{GS} =0V, f=1MHz		2500		pF
Output Capacitance	C _{OSS}			280		pF
Reverse Transfer Capacitance	C _{RSS}			23		pF
SWITCHING PARAMETERS						
Total Gate Charge	Q _G	V _{GS} =10V, V _{DS} =0.5V _{DSS} , I _D =18A, R _G =5Ω (Note 1, 2)		50		nC
Gate Source Charge	Q _{GS}			15		nC
Gate Drain Charge	Q _{GD}			18		nC
Turn-ON Delay Time	t _{D(ON)}	V _{GS} =10V, V _{DS} =0.5V _{DSS} , I _D =9A (Note 1, 2)		21		ns
Turn-ON Rise Time	t _R			22		ns
Turn-OFF Delay Time	t _{D(OFF)}			62		ns
Turn-OFF Fall-Time	t _F			22		ns
SOURCE- DRAIN DIODE RATINGS AND CHARACTERISTICS						
Drain-Source Diode Forward Voltage	V _{SD}	I _F =I _S , V _{GS} =0V			1.5	V
Maximum Continuous Drain-Source Diode Forward Current	I _S	V _{GS} =0V			18	A
Maximum Pulsed Drain-Source Diode Forward Current	I _{SM}	Repetitive			72	A
Reverse Recovery Time	t _{rr}	V _{GS} =0V, dI _F /dt=100A/μs,			200	ns
Reverse Recovery Charge	Q _{RR}	I _S =18A, V _R =100V (Note 1)		0.8		μC

Notes: 1. Pulse Test: Pulse Width ≤ 300μs, Duty Cycle ≤ 2%.

2. Essentially independent of operating temperature

■ TYPICAL CHARACTERISTICS



UTC assumes no responsibility for equipment failures that result from using products at values that exceed, even momentarily, rated values (such as maximum ratings, operating condition ranges, or other parameters) listed in products specifications of any and all UTC products described or contained herein. UTC products are not designed for use in life support appliances, devices or systems where malfunction of these products can be reasonably expected to result in personal injury. Reproduction in whole or in part is prohibited without the prior written consent of the copyright owner. The information presented in this document does not form part of any quotation or contract, is believed to be accurate and reliable and may be changed without notice.