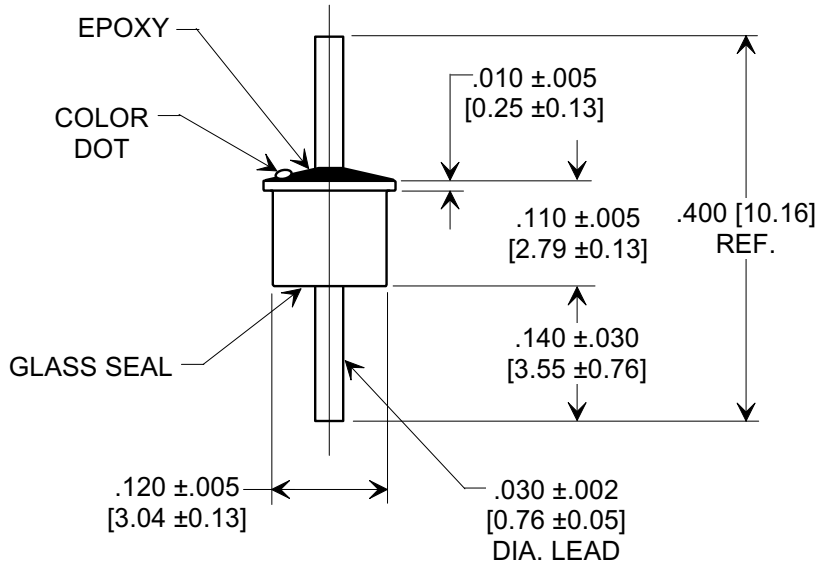
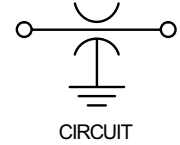
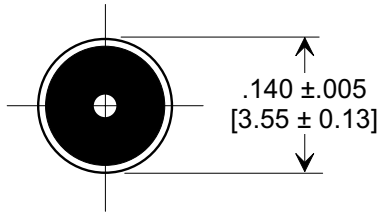


**MARKETING SALES DRAWING**  
 DIMENSIONS IN INCHES - DO NOT SCALE THIS DRAWING  
 DIMENSIONS IN METRIC - [ ]

Electrical Testing  
 per Tusonix standard  
 test plans and Mil-Std-202  
 Test Methods.



**NOTES:**

- Operating temperature range: -55°C to +125°C.
- Gold plated case and lead.
- Epoxy sealed on opposite end from glass seal.
- Max. recommended soldering temperature: 260°C.  
See installation recommendations.
- Tusonix Standard part number: 4305-003.  
Tusonix RoHS compliant part number: 4305-003 LF.  
Customer must specify Standard or RoHS part number when ordering.
- RoHS compliant part marked with additional dark green dot for identification.

Cx (pF)	TOL.	DC WORKING VOLTAGE		DC CURRENT (AMPS)	I.R. MIN.	D.W.V.	MIN. NO LOAD INSERTION LOSS (dB) @ 25° C PER MIL-STD-220					COLOR CODE
		85°C	125°C				1 MHz	10 MHz	100 MHz	1GHz	10 GHz	
2700	-0% +100%	150	100	5	10 G	250 VDC	---	10	25	40	50	RED

X-2015 Rev-0

<b>REVISION RECORD</b>	Original Release	0
	C.O. 20030110-5-09	1
	TOL. WAS GMV. S.M. 03-05-03	2
	20030305-1-06 ADDED NOTES 5 & 6. S.M. 05-31-05 20050513-4-52	

--TOLERANCES-- Unless Otherwise Specified		Title <b>SOLDER MOUNT EMI FILTER</b>
DECIMAL ±		
ANGLES ±		
<b>TUSONIX</b> TUCSON, ARIZONA		Drawn S.M. 01-28-03 Scale 5 X
		Approved T.C. 01-28-03
		<b>A</b> <b>4305-003</b>