

4114 NH3

# DC axial compact fan



## ebm-papst St. Georgen GmbH & Co. KG

Hermann-Papst-Str. 1  
D-78112 St. Georgen  
Phone +49 (0) 7724 81-0  
Fax +49 (0) 7724 81-1309  
info2@de.ebmpapst.com  
www.ebmpapst.com

## Nominal data

| Type                     | 4114 NH3          |          |
|--------------------------|-------------------|----------|
| Nominal voltage          | VDC               | 24       |
| Nominal voltage range    | VDC               | 16 .. 30 |
| Speed                    | min <sup>-1</sup> | 6000     |
| Power input              | W                 | 19.5     |
| Min. ambient temperature | °C                | -20      |
| Max. ambient temperature | °C                | 65       |
| Air flow                 | m <sup>3</sup> /h | 310      |
| Sound power level        | B                 | 7.2      |
| Sound pressure level     | dB(A)             | 65       |

ml = max. load · me = max. efficiency · fa = running at free air · cs = customer specs · cu = customer unit  
Subject to alterations

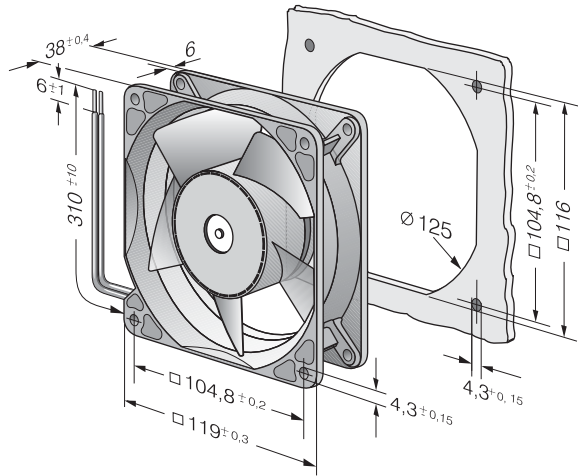


**Technical features**

|  |  |
|--|--|
| <b>Mass</b>                                | 0.390 kg   |
| <b>Dimensions</b>                          | 119 x 119 x 38 mm  |
| <b>Material of impeller</b>                | Fiberglass-reinforced PA plastic                             |
| <b>Housing material</b>                    | Aluminum with grounding lug for screw M4 x 8 (TORX).         |
| <b>Direction of air flow</b>               | Inlet over bars  |
| <b>Direction of rotation</b>               | Clockwise, looking at rotor                                  |
| <b>Bearing</b>                             | Ball bearings  |
| <b>Lifetime L10 at 40 °C</b>               | 65000 h  |
| <b>Lifetime L10 at maximum temperature</b> | 37500 h  |
| <b>Connection line</b>                     | Single strands AWG 22, UL 2007, TR 64, bared and tin-plated. |
| <b>Motor protection</b>                    | Protected against reverse polarity and locking.              |
| <b>Approval</b>                            | CE   |



## Product drawing



## Charts: Air flow

