



CYPRESS SEMICONDUCTOR

CYM1471
CYM1481

1024K x 8 SRAM Module
2048K x 8 SRAM Module

Features

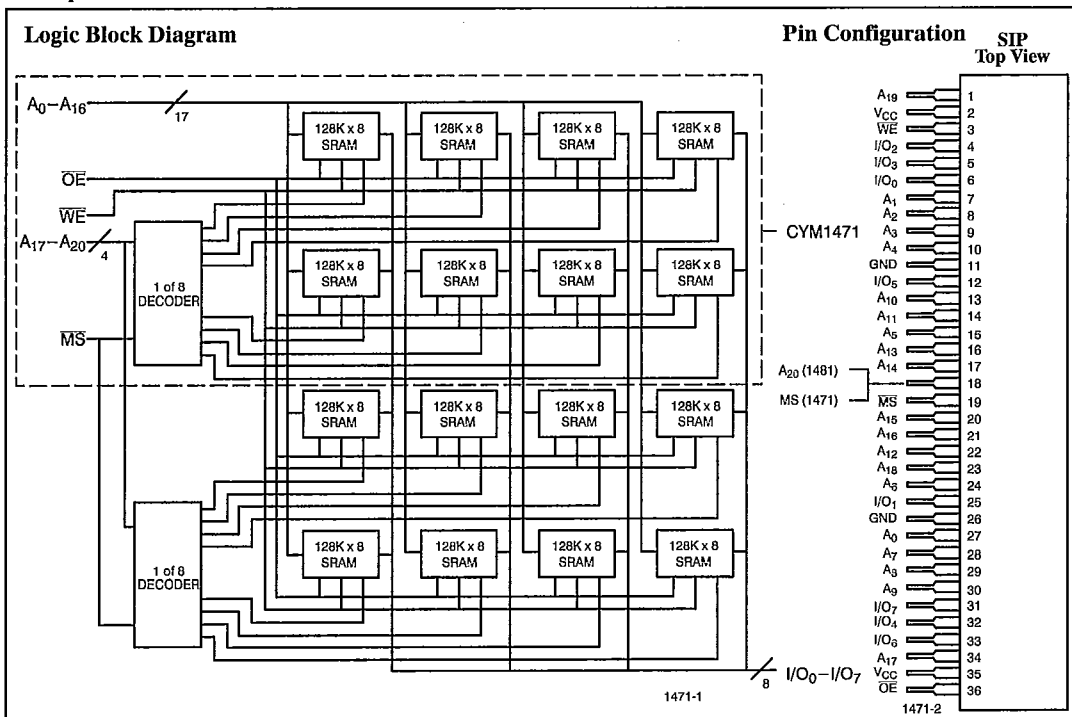
- High-density 8-/16-megabit SRAM modules
- High-speed CMOS SRAMs
— Access time of 85 ns
- Low active power
— 605 mW (max.), 2M x 8
- Double-sided SMD technology
- TTL-compatible inputs and outputs
- Very low profile version (PF)
— Max. height of 0.205 in.
- Small footprint SIP version (PS)
— PCB layout area of 0.72 sq. in.
- 2V data retention (L version)
- Compatible with CYM1460/CYM1461

Functional Description

The CYM1471 and CYM1481 are high-performance 8-megabit and 16-megabit static RAM modules organized as 1024K words (1471) or 2048K words (1481) by 8 bits. These modules are constructed from eight (1471) or sixteen (1481) 128K x 8 SRAMs in plastic surface-mount packages on an epoxy laminate board with pins. Two choices of pins are available for vertical (PS) or horizontal (PF) through-hole mounting. On-board decoding selects one of the SRAMs from the high-order address lines, keeping the remaining devices in standby mode for minimum power consumption.

An active LOW write enable signal (WE) controls the writing/reading operation of the memory. When MS and WE inputs are both LOW, data on the eight data input/output pins is written into the memory location specified on the address pins. Reading the device is accomplished by selecting the device and enabling the outputs MS and OE active LOW while WE remains inactive or HIGH. Under these conditions, the content of the location addressed by the information on the address pins is present on the eight data input/output pins.

The input/output pins remain in a high-impedance state unless the module is selected, outputs are enabled, and write enable (WE) is HIGH.



Selection Guide

	CYM1471			CYM1481		
	85	100	120	85	100	120
Maximum Access Time (ns)	85	100	120	85	100	120
Maximum Operating Current (mA)	95	95	95	110	110	110
Maximum Standby Current (mA)	16	16	16	32	32	32



Maximum Ratings

(Above which the useful life may be impaired.)

- Storage Temperature - 55°C to +125°C
- Ambient Temperature with Power Applied 0°C to +70°C
- Supply Voltage to Ground Potential - 0.3V to +7.0V
- DC Voltage Applied to Outputs in High Z State - 0.3V to +7.0V

- DC Input Voltage - 0.3V to +7.0V
- Output Current into Outputs (LOW) 20 mA

Operating Range

Range	Ambient Temperature	V _{CC}
Commercial	0°C to +70°C	5V ± 10%

Electrical Characteristics Over the Operating Range

Parameter	Description	Test Conditions	1471		1481		Unit
			Min.	Max.	Min.	Max.	
V _{OH}	Output HIGH Voltage	V _{CC} = Min., I _{OH} = - 1.0 mA	2.4		2.4		V
V _{OL}	Output LOW Voltage	V _{CC} = Min., I _{OL} = 2.0 mA		0.4		0.4	V
V _{IH}	Input HIGH Voltage		2.0	V _{CC} + 0.3	2.2	V _{CC} + 0.3	V
V _{IL}	Input LOW Voltage		- 0.3	0.8	- 0.3	0.8	V
I _{IX}	Input Load Current	GND ≤ V _I ≤ V _{CC}	- 20	+ 20	- 20	+ 20	µA
I _{OZ}	Output Leakage Current	GND ≤ V _O ≤ V _{CC} , Output Disabled	- 20	+ 20	- 20	+ 20	µA
I _{CC}	V _{CC} Operating Supply Current	V _{CC} = Max., $\overline{MS} \leq V_{IL}$, I _{OUT} = 0 mA		95		110	mA
I _{SB1}	Automatic \overline{MS} Power-Down Current	Max. V _{CC} , $\overline{MS} \geq V_{IH}$, Min. Duty Cycle = 100%		16		32	mA
I _{SB2}	Automatic \overline{MS} Power-Down Current	Max. V _{CC} , $\overline{MS} \geq V_{CC} - 0.2V$, $V_{FN} \geq V_{CC} - 0.2V$, or V _{IN} ≤ 0.2V	Standard	16		32	mA
			L Version		250		500

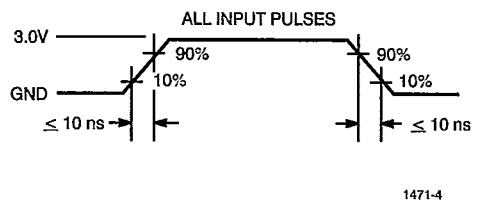
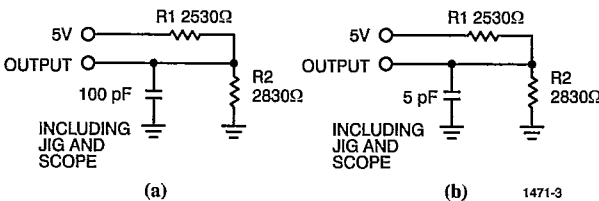
Capacitance^[1]

Parameter	Description	Test Conditions	CYM1471 Max.	CYM1481 Max.	Unit
C _{INA}	Input Capacitance (A ₀₋₁₆ , OE, WE)	T _A = 25°C, f = 1 MHz, V _{CC} = 5.0V	75	125	pF
C _{INB}	Input Capacitance (A ₁₇₋₂₀ , \overline{MS})		25	25	pF
C _{OUT}	Output Capacitance		95	165	pF

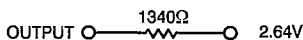
Note:

- 1. Tested on a sample basis.

AC Test Loads and Waveforms



Equivalent to: THÉVENIN EQUIVALENT



MODULES 8



Switching Characteristics Over the Operating Range^[2]

Parameter	Description	1471-85 1481-85		1471-100 1481-100		1471-120 1481-120		Unit
		Min.	Max.	Min.	Max.	Min.	Max.	
READ CYCLE								
t _{RC}	Read Cycle Time	85		100		120		ns
t _{AA}	Address to Data Valid		85		100		120	ns
t _{OHA}	Data Hold from Address Change	10		10		10		ns
t _{AMS}	\overline{MS} LOW to Data Valid		85		100		120	ns
t _{DOF}	\overline{OE} LOW to Data Valid		45		50		60	ns
t _{LZOE}	\overline{OE} LOW to Low Z	5		5		5		ns
t _{HZOE}	\overline{OE} HIGH to High Z ^[3]		30		35		45	ns
t _{LZMS}	\overline{MS} LOW to Low Z ^[4]	10		10		10		ns
t _{HZMS}	\overline{MS} HIGH to High Z ^[3,4]		30		35		45	ns
WRITE CYCLE^[5]								
t _{WC}	Write Cycle Time	85		100		120		ns
t _{SMS}	\overline{MS} LOW to Write End	75		90		100		ns
t _{AW}	Address Set-Up to Write End	75		90		100		ns
t _{HA}	Address Hold from Write End	7		7		7		ns
t _{SA}	Address Set-Up to Write Start	5		5		5		ns
t _{PWE}	WE Pulse Width	65		75		85		ns
t _{SD}	Data Set-Up to Write End	35		40		45		ns
t _{HD}	Data Hold from Write End	5		5		5		ns
t _{HZWE}	WE LOW to High Z ^[3]		30		35		40	ns
t _{LZWE}	WE HIGH to Low Z	5		5		5		ns

Data Retention Characteristics (L Version Only)

Parameter	Description	Test Conditions	1471-85		1471-100 1481-120		1481-85		1481-100 1481-120		Unit	
			Min.	Max.	Min.	Max.	Min.	Max.	Min.	Max.		
V _{DR}	V _{CC} for Retention Data	$V_{CC} = 3.0V,$ $\overline{MS} \geq V_{CC} - 0.2V,$ $V_{IN} \geq V_{CC} - 0.2V$ or $V_{IN} \leq 0.2V$	2		2		2		2		V	
I _{CCDR}	Data Retention Current			400		125		800		250		μA
t _{CDR} ^[6]	Chip Deselect to Data Retention Time		0		0		0		0			ns
t _R	Operation Recovery Time		5		5		5		5			ns

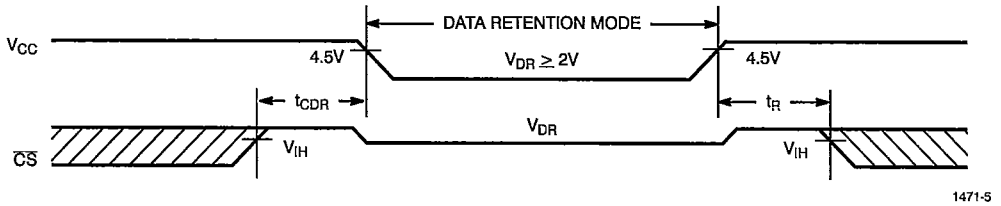
Notes:

- Test conditions assume signal transition time of 10 μs or less, timing reference levels of 1.5V, input pulse levels of 0 to 3.0V, output loading of 1 TTL load, and 100-pF load capacitance.
- t_{HZOE}, t_{HZMS}, and t_{HZWE} are specified with C_L = 5 pF as in part (b) of AC Test Loads and Waveforms. Transition is measured ±500 mV from steady-state voltage.
- At any given temperature and voltage condition, t_{HZMS} is less than t_{LZMS} for any given device. These parameters are guaranteed and not 100% tested.
- The internal write time of the memory is defined by the overlap of \overline{MS} LOW and WE LOW. Both signals must be LOW to initiate a write and either signal can terminate a write by going HIGH. The data input set-up and hold timing should be referenced to the rising edge of the signal that terminates the write.
- Guaranteed, not tested.



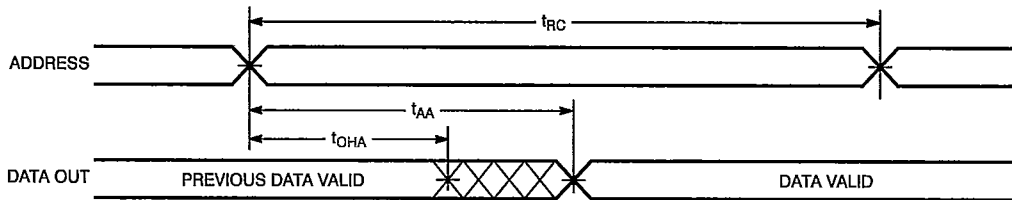
CYM1471
CYM1481

Data Retention Waveform

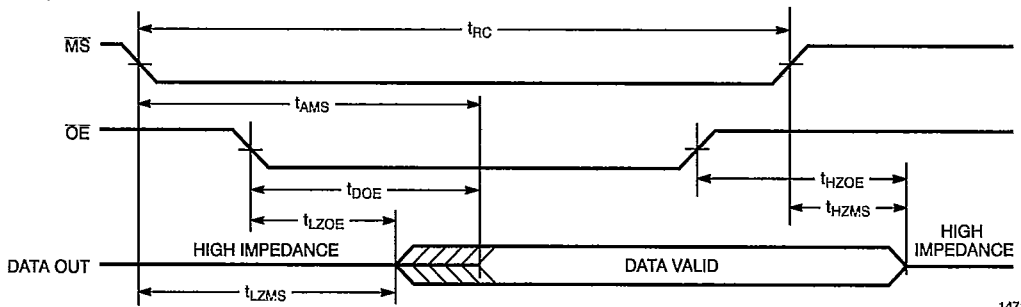


Switching Waveforms

Read Cycle No. 1^[7, 8]



Read Cycle No. 2^[8, 9]



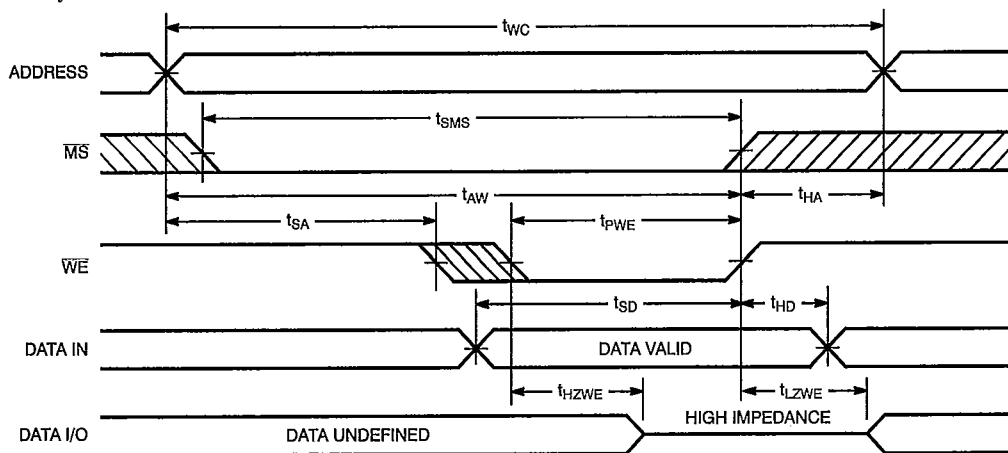
Notes:

- 7. Device is continuously selected. \overline{OE} , $\overline{MS} = V_{IL}$.
- 8. Address valid prior to or coincident with \overline{MS} transition LOW
- 9. \overline{WE} is HIGH for read cycle.



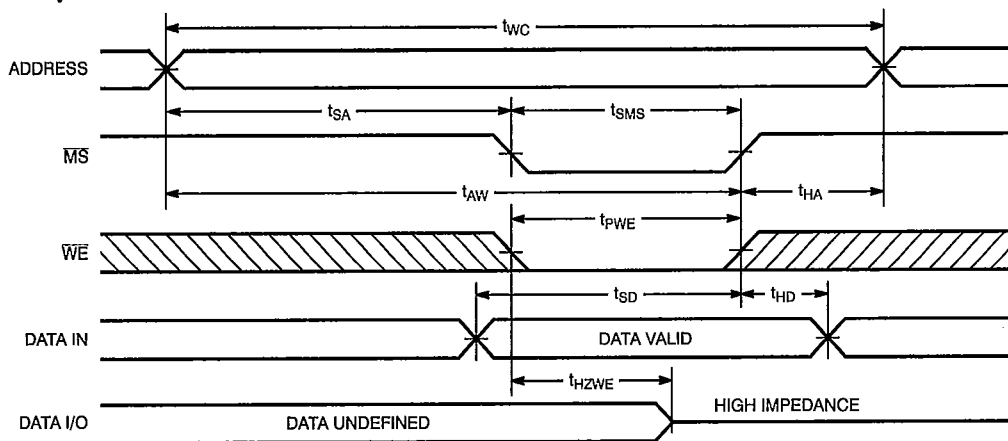
Switching Waveforms (continued)

Write Cycle No. 1 [5, 10]



1471-8

Write Cycle No. 2 [5, 10, 11]



1471-9

Notes:

10. Data I/O is high impedance if $\overline{OE} = V_{IH}$.

11. If \overline{MS} goes HIGH simultaneously with WE HIGH, the output remains in a high-impedance state.

Truth Table

MS	WE	OE	Input/Outputs	Mode
H	X	X	High Z	Deselect/Power-Down
L	H	L	Data Out	Read
L	L	X	Data In	Write
L	H	H	High Z	Deselect



CYM1471
CYM1481

Ordering Information

Speed (ns)	Ordering Code	Package Type	Package Type	Operating Range
85	CYM1471PF-85C	PF05	36-Pin Flat SIP Module	Commercial
	CYM1471LPF-85C			
	CYM1471PS-85C	PS08	36-Pin SIP Module	
	CYM1471LPS-85C			
100	CYM1471PF-100C	PF05	36-Pin Flat SIP Module	Commercial
	CYM1471LPF-100C			
	CYM1471PS-100C	PS08	36-Pin SIP Module	
	CYM1471LPS-100C			
120	CYM1471PF-120C	PF05	36-Pin Flat SIP Module	Commercial
	CYM1471LPF-120C			
	CYM1471PS-120C	PS08	36-Pin SIP Module	
	CYM1471LPS-120C			
85	CYM1481PF-85C	PF04	36-Pin Flat SIP Module	Commercial
	CYM1481LPF-85C			
	CYM1481PS-85C	PS06	36-Pin SIP Module	
	CYM1481LPS-85C			
100	CYM1481PF-100C	PF04	36-Pin Flat SIP Module	Commercial
	CYM1481LPF-100C			
	CYM1481PS-100C	PS06	36-Pin SIP Module	
	CYM1481LPS-100C			
120	CYM1481PF-120C	PF04	36-Pin Flat SIP Module	Commercial
	CYM1481LPF-120C			
	CYM1481PS-120C	PS06	36-Pin SIP Module	
	CYM1481LPS-120C			

Document #: 38-M-00041-A