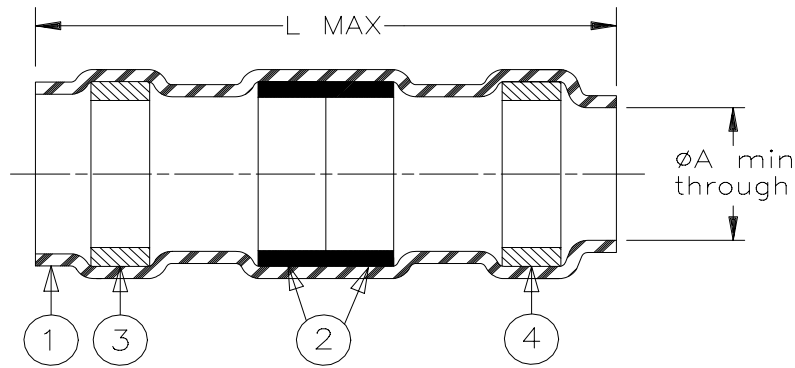


SPECIFICATION CONTROL DRAWING



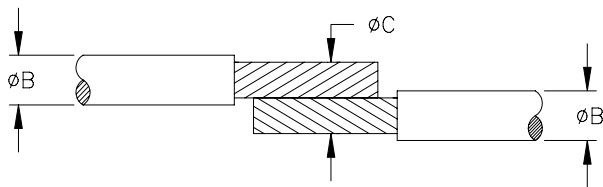
Product Revisions	Size Code	Color	Product Dimensions		Selection Guide				Wire Dimensions				
			A min	L max	Wire Gauge AWG	Section mm ²	Total CMA	Total mm ²	B min	B max	C min		
Part Name					min	max	min	max	min	max	B min	B max	C min
B-008-11	C	Clear	1.7 (0.065)	26.0 (1.025)	2x26 2x24	2x0.15 2x0.4	450 1500	0.2 0.75	0.76 (0.03)	1.5 (0.06)	1.0 (0.039)		
B-008-13	A	Red	2.3 (0.090)	31.0 (1.220)	2x22 2x18	2x0.4 2x1	1250 4000	0.6 2.0	1.5 (0.060)	2.3 (0.090)	1.8 (0.070)		
B-008-14	A	Blue	4.3 (0.170)	36.0 (1.420)	2x18 2x12	2x1 2x2.5	3600 5000	1.8 2.5	2.0 (0.080)	4.3 (0.170)	2.3 (0.090)		
B-008-15	B	Yellow	6.8 (0.268)	42.0 (1.660)	2x12 2x10	2x3 2x5	4800 9000	2.4 4.5	3.4 (0.135)	6.8 (0.270)	3.7 (0.145)		

MATERIAL

- INSULATION SLEEVE: Heat-shrinkable, radiation cross-linked modified polyolefin. Transparent grey.
- SOLDER PREFORMS WITH FLUX: (Qty. 2 except for B-008-11 Qty. 1).
SOLDER: TYPE Cd18 per ANSI J-STD-006.
FLUX: TYPE ROL1 per ANSI J-STD-004.
- & 4. MELTABLE RINGS: Thermally stabilized thermoplastic. Color: See Size Code.

APPLICATION

- These controlled soldering devices are designed to splice tin plated or bare copper wires rated for at least +85°C.
- Temperature range: -55°C to +125°C.
- Splices will meet performance requirements of Raychem Specification D-5023 when installed per RPIP 850-00.



STRIP LENGTH: 12.5 (.5)

*A trademark of Raychem Corporation.

Raychem		THERMOFIT DEVICES		Raychem Corporation 300 Constitution Drive Menlo Park, CA 94025 USA		TITLE: SOLDERSLEEVE* WIRE TO WIRE SPLICE, LOW TEMPERATURE	
UNLESS OTHERWISE SPECIFIED DIMENSIONS ARE IN MILLIMETERS. INCHES DIMENSIONS ARE IN BETWEEN BRACKETS.						DOCUMENT NO.: B-008-1X	
TOLERANCES: 0.00 N/A 0.0 N/A 0 N/A		ANGLES: N/A		Raychem reserves the right to amend this drawing at any time. Users should evaluate the suitability of the product for their application.		DCR NUMBER: D981171	
ROUGHNESS IN MICRON						REPLACES: D961365	
DRAWN BY: R. MAPALO		DATE: 06-29-98		REV.: SEE TABLE		DOC ISSUE: 4	
				SCALE: NONE		SIZE: A	
						SHEET: 1 of 1	

If this document is printed it becomes uncontrolled. Check for the latest revision.