



# High Performance Amplifiers, 20 dB Gain 5-200 MHz

AM-/AMC-136

- + 49 dBm Typical Midband Third Order Intercept
- + 29 dBm Typical Midband 1 dB Compression
- 4.8 dB Typical Midband Noise Figure

## Guaranteed Specifications\*

(From -55°C to +85°C Case Temp)

<b>Frequency Range</b>	5-200 MHz
<b>Gain (+25°C) @ 50 MHz</b>	20 ± 0.8 dB
<b>Frequency Response</b>	± 0.8 dB Max
<b>Gain Variation with Temperature</b>	± 1.0 dB Max
<b>Output Power (1 dB Compression)</b>	
5-200 MHz	+ 23 dBm Min
5-70 MHz	+ 25 dBm Min
<b>Noise Figure</b>	7 dB Max
<b>Reverse Transmission</b>	- 26 dB Max - 28 dB Typ

<b>VSWR</b>	
5-200 MHz	2.5:1 Max
5-70 MHz	1.7:1 Max

<b>Intermodulation Intercept Point (for two-tone output power to +10 dBm)</b>	
Second Order (5-200 MHz)	+ 53 dBm Min
Second Order (5-70 MHz)	+ 57 dBm Min
Third Order (5-200 MHz)	+ 36 dBm Min
Third Order (5-70 MHz)	+ 44 dBm Min

<b>Bias Power</b>	+ 24 VDC @ 250 mA Max (210 mA, 5W Typical)
-------------------	---

## Operating Characteristics

<b>Impedance</b>	50 Ohms Nominal
<b>Maximum Rating</b>	
RF Input	+ 15 dBm Max
Bias	26 VDC Max

**Environmental**  
See Appendix for MIL-STD-883 screening option.

**Pin Configuration** IN, P6; OUT, P1; VDC, P5, P10

\*All specifications apply when operated at +24 VDC, with 50 ohm source and load impedance. This product contains elements protected by United States Patent Number 3,624,536. Heat Sinking: Operation at case temperature above 95°C is not recommended. Heat sinking adequate to dissipate 5 W. Must be provided in use.

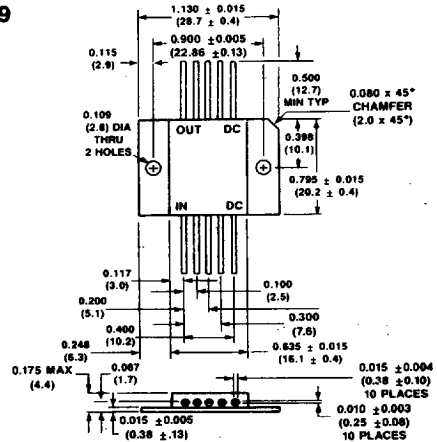
## Ordering Information

Model No.	Package
AM-136 PIN	Flatpack
AMC-136 SMA	Connectorized

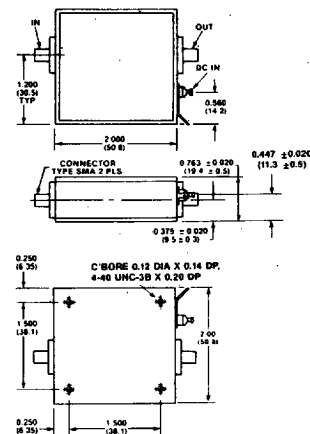
Specifications Subject to Change Without Notice.

M/A-COM Inc. ■ 1011 Pawtucket Boulevard, Lowell, MA 01853 USA ■ Telephone: 800-366-2266

FP-9



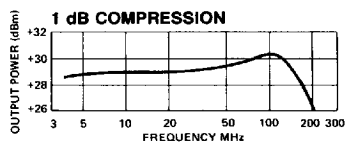
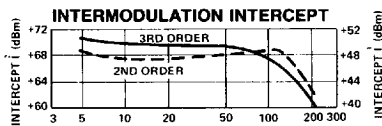
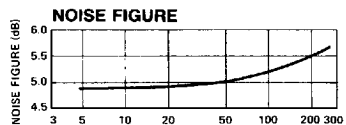
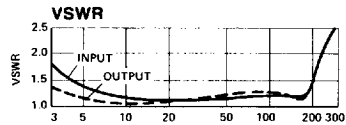
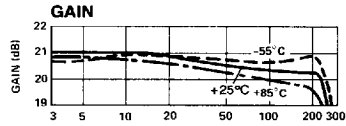
C-25



Dimensions in ( ) are in mm.

See Appendix for complete physical dimensions.

Typical Performance



Specifications Subject to Change Without Notice.