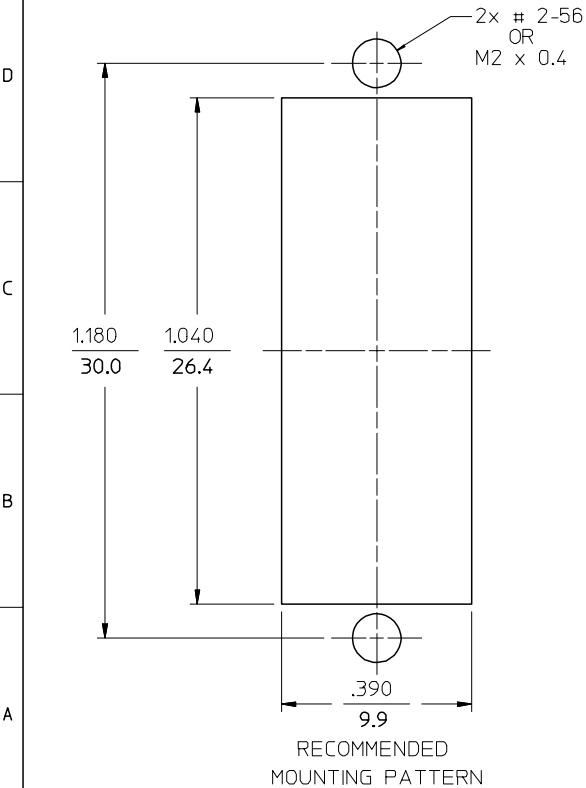
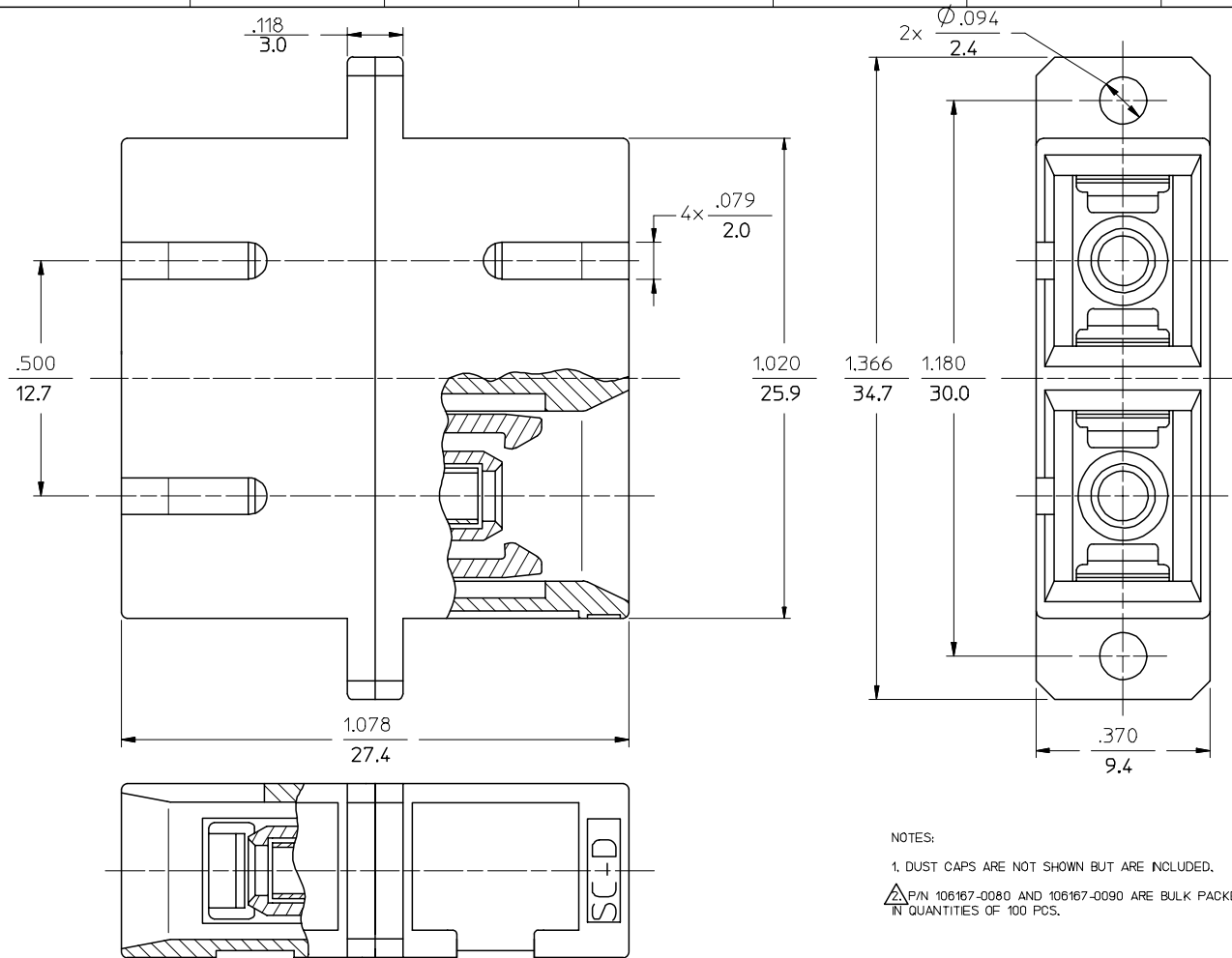


P/N OF ADAPTER	MATERIAL OF SLEEVE	TYPE	COLOR
106166-0000	ZR	SINGLE MODE	BLUE
106167-0000	PHOSPHOR BRONZE		
106167-0090		MULTIMODE	BEIGE
106166-0010	ZR		BLACK
106167-0010	PHOSPHOR BRONZE		
106166-0030	ZR		
106166-0040	ZR	SINGLE MODE	RED
106167-0040	PHOSPHOR BRONZE	APC	GREEN
106166-0050	ZR		AQUA
106167-0070	PHOSPHOR BRONZE		BEIGE
106167-0080			



NOTES:
 1. DUST CAPS ARE NOT SHOWN BUT ARE INCLUDED.
 P/N 106167-0080 AND 106167-0090 ARE BULK PACKED IN QUANTITIES OF 100 PCS.

ENTER DESCRIPTION EC NO: MF2006-0749 DRWNG: DRWNGKPEVNER CHKD: 2006/05/12 APPR: IGUMIN 2006/05/12	QUALITY SYMBOLS = 0 = 0	GENERAL TOLERANCES (UNLESS SPECIFIED) <table border="1"> <thead> <tr> <th></th> <th>mm</th> <th>INCH</th> </tr> </thead> <tbody> <tr> <td>4 PLACES</td> <td>± .005</td> <td>± .0002</td> </tr> <tr> <td>3 PLACES</td> <td>± .004</td> <td>± .00015</td> </tr> <tr> <td>2 PLACES</td> <td>± .003</td> <td>± .0001</td> </tr> <tr> <td>1 PLACE</td> <td>± .002</td> <td>± .000075</td> </tr> </tbody> </table>		mm	INCH	4 PLACES	± .005	± .0002	3 PLACES	± .004	± .00015	2 PLACES	± .003	± .0001	1 PLACE	± .002	± .000075	DIMENSION STYLE IN/MM	SCALE 4:1	DESIGN UNITS INCH	THIRD ANGLE PROJECTION
		mm	INCH																		
	4 PLACES	± .005	± .0002																		
	3 PLACES	± .004	± .00015																		
2 PLACES	± .003	± .0001																			
1 PLACE	± .002	± .000075																			
DRAWN BY RPACIFIC1	DATE 2006/01/24	TITLE DUPLEX ADAPTER (SC-D)																			
CHECKED BY 	DATE 	APPROVED BY 																			
MATERIAL NO. SEE TABLE	DOCUMENT NO. SD-10616X-00X0	SHEET NO. 1 OF 1																			