

Ceramic Filters for AM

**The Low Cost Standard AM Filters
(Murata SFZ Compatible)**



▶ Preview

Ceramic filters for AM (LTZ) series are designed to address the needs of standard AM filtering requirements and are recommended for use in low cost products where economically, efficient designs are critical.

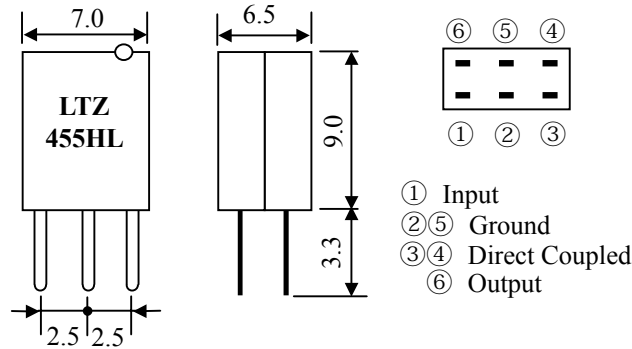
Token ceramic filters LTZ series for AM conform to the RoHS directive. The LTZ series can be customized designs and tighter tolerances available on request.

Application of ceramic filters specific designs also available including different piezo band-pass devices and Q specifications adjusted to frequency requirements. Token ceramic filters can supply you high performance, high quality and stability.

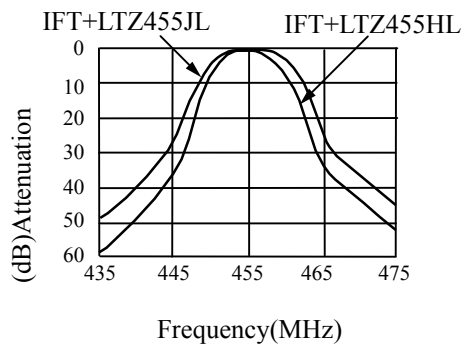
With dimensions (7.0 x 9.0 x 6.5mm), and Insertion Loss 7db, the (LTZ) series is composition of 2 elements direct coupling. Center Frequency (f_0) is available in a range of 450kHz ~ 470kHz. The nominal frequency tolerance is ± 2 kHz.

Custom parts are available on request. Token will also produce devices outside these specifications to meet specific customer requirements, please contact our sales for more information.

Dimensions



Technical Characteristics

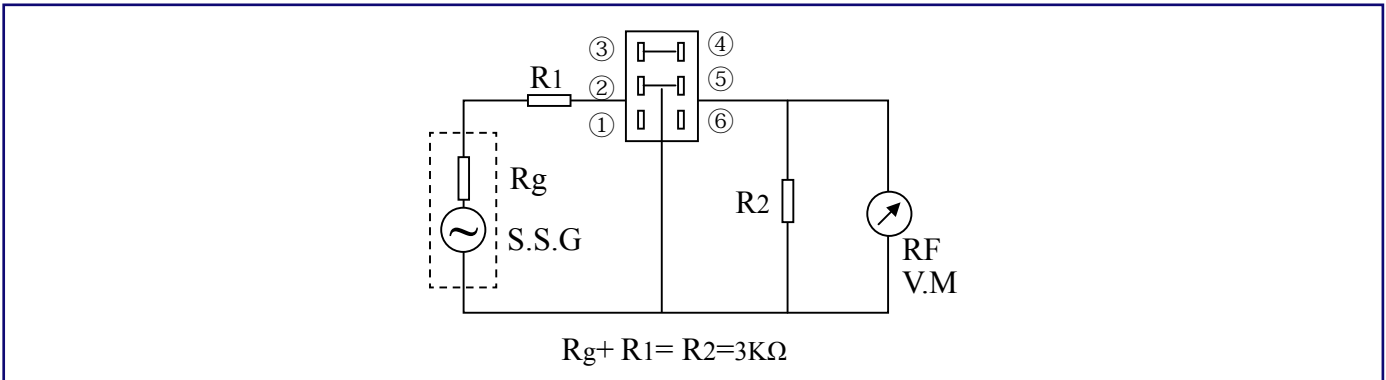


Part Number	Center Frequency (fo) (kHz)	3dB BandWidth (kHz)	Selectivity $\pm 9\text{kHz off (dB) min}$	Insertion Loss (dB)	Composition
LTZ455HL	455.5 \pm 2.0	4.0 \pm 1	23	7	2 elements direct coupling type
LTZ455JL	456.0 \pm 2.0	5.5 \pm 1	18	7	

Note: Center Frequency (fo) is available in a range of 450 ~ 470kHz.

The nominal frequency tolerance is $\pm 2\text{kHz}$.

▶ Test Circuit



▶ Recommended IFT (7mm Square)

Item	LTZ455HL/JL		
Winding Specification	①~②	②~③	④~⑥
<p>Form bottom</p>	68T	84T	14T
unloaded Qu	90		
Tuning Capacity	108PF		

▶ How to Order

LTZ455HL

❶

P

❷

❶ Part Number

❷ Package

Back to 1st Page - Ceramic Filters for AM - LTZ