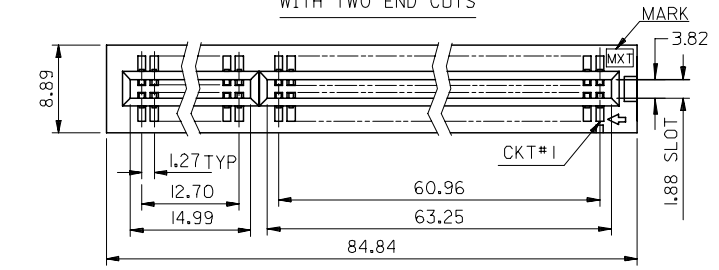
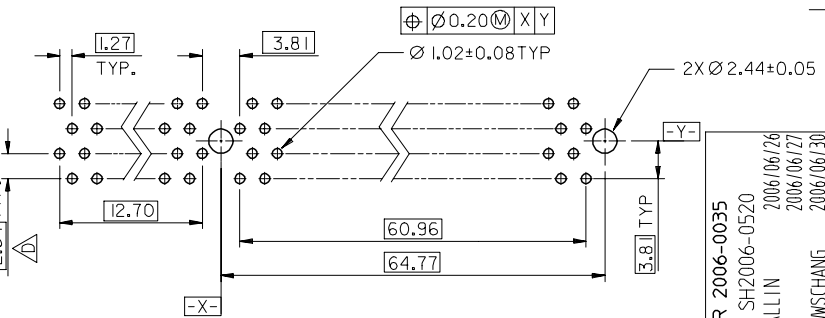
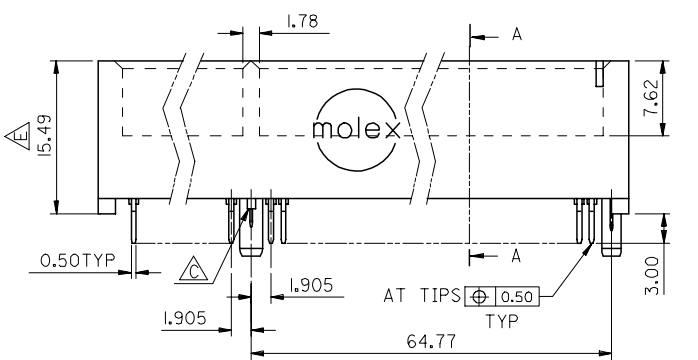


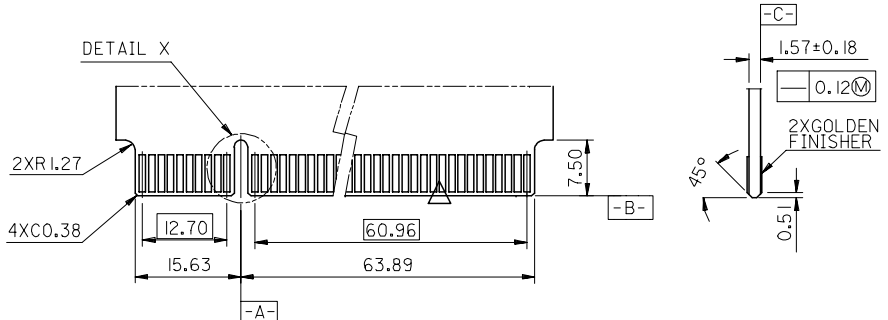
WITH TWO END CUTS



WITH ONE END CUT

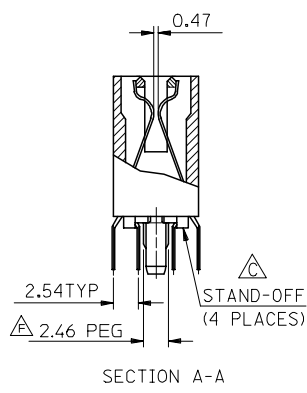


RECOMMENDED CONNECTOR MOUNTING HOLE PATTERN

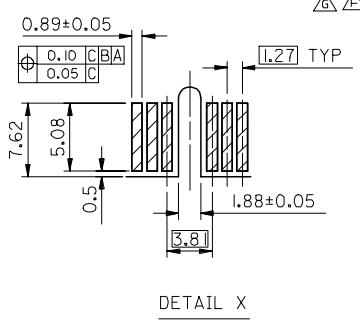


RECOMMENDED MATING P.C.BOARD EDGE CONFIGURATION

- NOTES :
- MATERIAL :
  - HOUSING : PPS
  - TERMINAL : PHOSPHOR BRONZE.
  - FINISH 0 : GOLD FLASH IN CONTACT AREA.
  - 152 MICROMETER / 60 MICRONCH MN. MAT TN IN SOLDER TAL.
  - BOTH OVER 0.76 MICROMETER / 30 MICRONCH MN. NICKEL OVERALL.
  - 1 : 0.25 MICROMETER / 10 MICRONCH GOLD IN CONTACT AREA.
  - 152 MICROMETER / 60 MICRONCH MN. MAT TN IN SOLDER TAL.
  - BOTH OVER 0.76 MICROMETER / 30 MICRONCH MN. NICKEL OVERALL.
  - 2 : 0.38 MICROMETER / 15 MICRONCH GOLD IN CONTACT AREA.
  - 152 MICROMETER / 60 MICRONCH MN. MAT TN IN SOLDER TAL.
  - BOTH OVER 0.76 MICROMETER / 30 MICRONCH MN. NICKEL OVERALL.
  - 3 : 0.76 MICROMETER / 30 MICRONCH GOLD IN CONTACT AREA.
  - 152 MICROMETER / 60 MICRONCH MN. MAT TN IN SOLDER TAL.
  - BOTH OVER 0.76 MICROMETER / 30 MICRONCH MN. NICKEL OVERALL.
  - 4 : 0.50 MICROMETER / 20 MICRONCH GOLD IN CONTACT AREA.
  - 152 MICROMETER / 60 MICRONCH MN. MAT TN IN SOLDER TAL.
  - BOTH OVER 0.76 MICROMETER / 30 MICRONCH MN. NICKEL OVERALL.



SECTION A-A



DETAIL X

- △ PART NO. LEGEND : 89177 - 6 0 \*\*
- | PEG VERSION & COLOR                     | PLATING VERSION |
|---|-----------------|
| 0 : STANDARD ; BROWN ,WITH ONE END CUT  | 0               |
| 1 : STANDARD ; WHITE ,WITH ONE END CUT  | 1               |
| 2 : STANDARD ; BROWN ,WITH TWO END CUTS | 2               |
| 3 : STANDARD ; WHITE ,WITH TWO END CUTS | 3               |
|   | 4               |

EWR 2006-0035 EC NO: SH2006-0520 DRWN:ALLIN 2006/06/26 CHKD: 2006/06/27 APPR:WMSCHANG 2006/06/30	QUALITY SYMBOLS ▽=0 △=0	GENERAL TOLERANCES (UNLESS SPECIFIED)	DIMENSION STYLE MM ONLY	SCALE	DESIGN UNITS METRIC	THIRD ANGLE PROJECTION
		4 PLACES ± --- ± --- 3 PLACES ± --- ± --- 2 PLACES ± 0.25 ± --- 1 PLACE ± 0.25 ± --- ANGULAR ± 3 °	DRAWN BY DATE TED CHEN 1996/09/17 CHECKED BY DATE WILSON CHANG 1996/09/17 APPROVED BY DATE MEGA LIN 1996/09/17	TITLE 1.27 EDGE CARD CONN. (120CKT)	MOLEX INCORPORATED	
DRAFT WHERE APPLICABLE MUST REMAIN WITHIN DIMENSIONS		SEE NOTES	MATERIAL NO.	DOCUMENT NO. SDA-89177-60**		