



## Features

- Intel® Atom™ Z670 Processor (Formerly Lincroft)
- Intel® SM35 Express Chipset (Formerly Whitney Point)
- DDR2 1GB SDRAM
- 7" WVGA (1024 x 600) 16:10 TFT LCD Display
- Projected Capacitive Multi-Touch Screen
- Li-Polymer High-Capacity Battery, 4 Hours Battery Life
- MLD-STD-810G, Rugged, Water and Dust Proof, IP65 Compliance
- Micro SD Card Slot
- WiFi 802.11 b/g/n, Bluetooth® 2.1 + EDR
- GPS Navigation, G-Sensor, Light Sensor
- Windows® 7, Windows® Embedded Standard 7



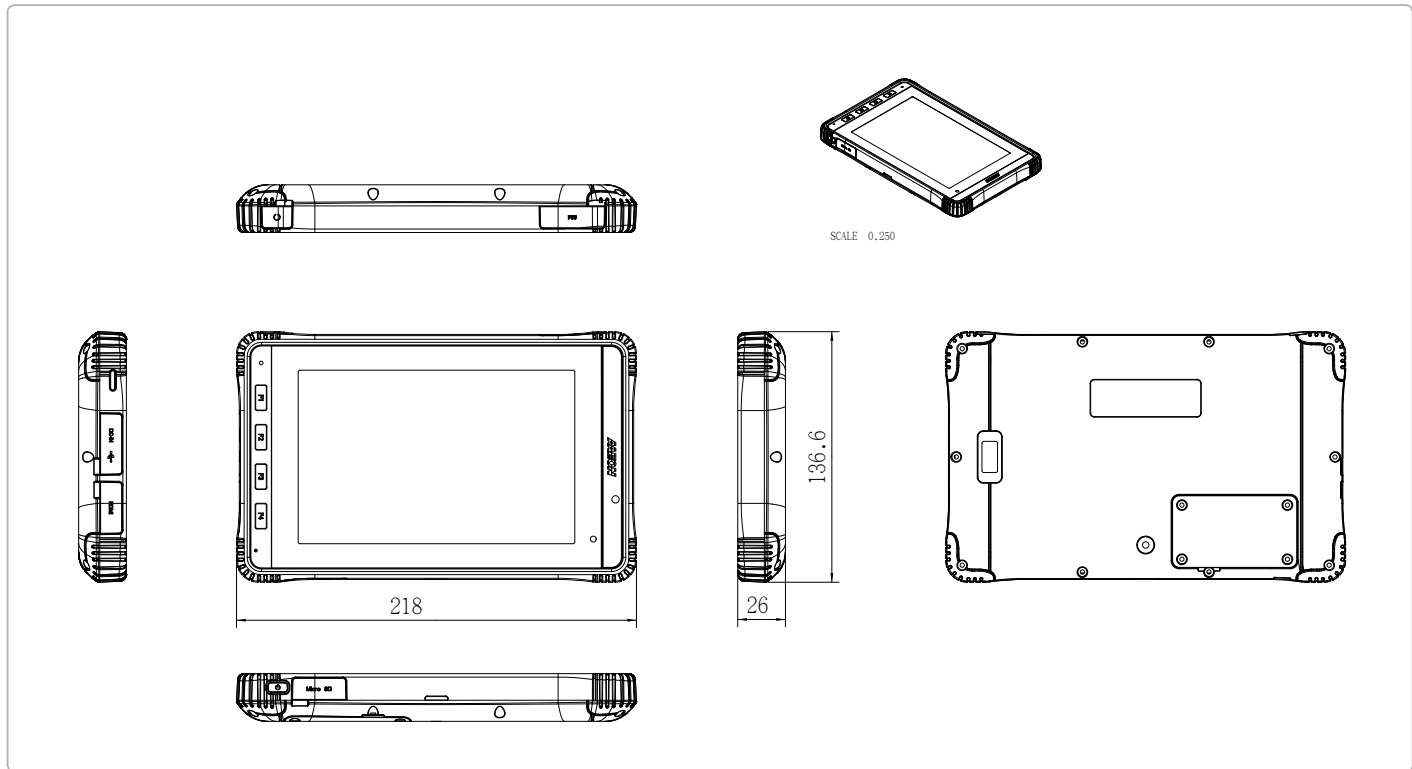
## Specifications

| System                |   |
|-----------------------|---|
| Processor             | Intel® Atom™ Z670 Processor (Formerly Lincroft)   |
| Chipset               | Intel® SM35 Express Chipset (Formerly Whitney Point)  |
| System Memory         | DDR2 1GB SDRAM  |
| LCD Display           | 7" WVGA (1024 x 600) 16:10 TFT LCD with Projected Capacitive Touch Screen panel   |
| Communication         | WLAN 802.11 b/g/n<br>Bluetooth® 2.1 + EDR (Bluetooth® keyboard/Mouse support)<br>3G modem module (Optional)   |
| I/O Port              | DC-in Jack x 1<br>Mini HDMI x 1<br>SIM card Slot x 1<br>Mini USB x 1 (Client)<br>Micro SD Card Slot x 1<br>Built-in Speaker & Microphone<br>3.5mm stereo headphone jack x 1<br>Barcode Scanner (Optional) |
| Storage               | 16GB/ 32GB/ 40GB mSATA MLC  |
| Navigation            | GPS, AGPS(optional)   |
| Camera                | Front-facing camera: 2 Mega Pixel<br>Rear-facing camera: 5 Mega Pixel   |
| Other                 | Built-in Light Sensor<br>Built-in G-Sensor  |
| OS                    | Windows® 7 Professional or WES7   |
| Mechanical            |   |
| Color                 | Black   |
| Dimension             | 5.38" x 8.58" x 1.02" (136.6mm x 218mm x 26mm)  |
| Gross Weight          | 1.5 lb (682 g)  |
| Carton Dimension      | 14.37" x 10.16" x 8.35" (365mm x 258mm x 212mm)   |
| Environmental         |   |
| Operating Temperature | -4°F ~ 122°F (-20°C ~ 50°C)   |
| Storage Temperature   | -4°F ~ 149°F (-20°C ~ 65°C)   |
| Operating Humidity    | 10 to 95% @ 60°C, non-condensing  |
| Water & Dust Proof    | IP65 compliance   |
| Vibration             | Meets MIL-STD-810G-514.6, Procedure I Cat. 24, Fig. 514.6E-1 & 514.6E-2 (Unit is non-operating)<br>ASTM 4169-99 Truck Assurance Level II, Schedule E (Unit is operating)                                  |
| Drop                  | 26 drops of 48 inches height to 2" plywood over concrete with unit off MIL-STD-810G-516.6, Procedure IV   |
| ESD                   | Air +/- 8KV, Contact +/- 4KV  |
| EMC/ Safety           | CE/FCC Class B/ UL/ LVD   |

# RTC-700T

## Dimension

Unit: mm



| Power Supply       |   |
|--------------------|---|
| AC/ DC Adapter     | AC Power input: 100V-240V, 50Hz-60Hz, 12V/2A, 24W<br>DC Power output: 12V/ 2A |
| Battery            | Li-Polymer high capacity battery (27Whr), 4~6 hours Battery Life              |
| LCD                |   |
| Display Type       | 7" 16:10 TFT LCD  |
| Max. Resolution    | 1024 x 600  |
| Max. Color         | 262K  |
| Dot Size           | 0.150(V) x 0.150(H) mm  |
| Luminance          | 400 cd/m <sup>2</sup>   |
| View Angle         | Horizontal 178° (Typical)<br>Vertical 178° (Typical)                          |
| Touch Screen       |   |
| Type               | Projected Capacitive Multi-Touch Panel  |
| Light Transmission | ≥87%  |

## Ordering Information

- TF-RTC-700T-WBG-1110**  
 Rugged Table Computer, Intel® Atom™ Z670 1.5G, 7" TFT LCD, DC12V, PCT, 1GB RAM, 40GB mSATA, Windows®7, WiFi/BT/GPS
- TF-RTC-700T-WBGH-1110**  
 Rugged Table Computer, Intel® Atom™ Z670 1.5G, 7" TFT LCD, DC12V, PCT, 1GB RAM, 40GB mSATA, Windows®7, WiFi/BT/GPS/3G

## Optional Accessories

- 3G Modem Module
- Vehicle DC/DC Adapter
- Barcode Scanner
- USB OTG Cable