



TAI-SAW TECHNOLOGY CO., LTD.

No. 3, Industrial 2nd Rd., Ping-Chen Industrial District,
Taoyuan, 324, Taiwan, R.O.C.

TEL: 886-3-4690038 FAX: 886-3-4697532

E-mail: tstsales@mail.taisaw.com Web: www.taisaw.com

Approval Sheet For Product Specification

Issued Date:

Product Name: SAW Filter 504MHz F-11

TST Parts No.:TA0826A

Customer Parts No.:_____

Company: _____
Division: _____
Approved by : _____
Date: _____

Checked by: _____ Asin Lin

Approval by: _____ Francis Chen

Date: _____ 2008/03/14



TAI-SAW TECHNOLOGY CO., LTD.

No. 3, Industrial 2nd Rd., Ping-Chen Industrial District,
Taoyuan, 324, Taiwan, R.O.C.

TEL: 886-3-4690038 FAX: 886-3-4697532

E-mail: tstsales@mail.taisaw.com Web: www.taisaw.com

SAW Filter 504 MHz

MODEL NO.: TA0826A

REV. NO.:1

A. MAXIMUM RATING:

1. Input Power Level: 0 dB_m
2. DC voltage: 10 V
3. Operating Temperature: -10°C to +50°C
4. Storage Temperature: -40°C to +85°C

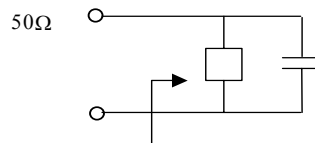
RoHS Compliant

Lead-free soldering

B. ELECTRICAL CHARACTERISTICS:

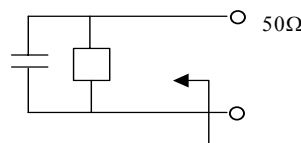
Item	Unit	Min.	Type.	Max.	Note
Center frequency, F_c	MHz	-	504	-	
Insertion Loss, IL (Within F _c ±4MHz)	dB	-	2.5	4.5	
Ripple(Within F _c ±4MHz)	dB	-	0.3	2.5	
Attenuation:(Reference level from 0dB)					
F _c -100 to -40.8 MHz	dB	42	53	-	
F _c +40 to +100 MHz	dB	42	50	-	
Impedance at F _c :Input $Z_{IN} = R_{IN} // C_{IN}$	Ω	50 Ω // 0pF			
Output $Z_{out} = R_{out} // C_{out}$		50 Ω // 0pF			

Source impedance



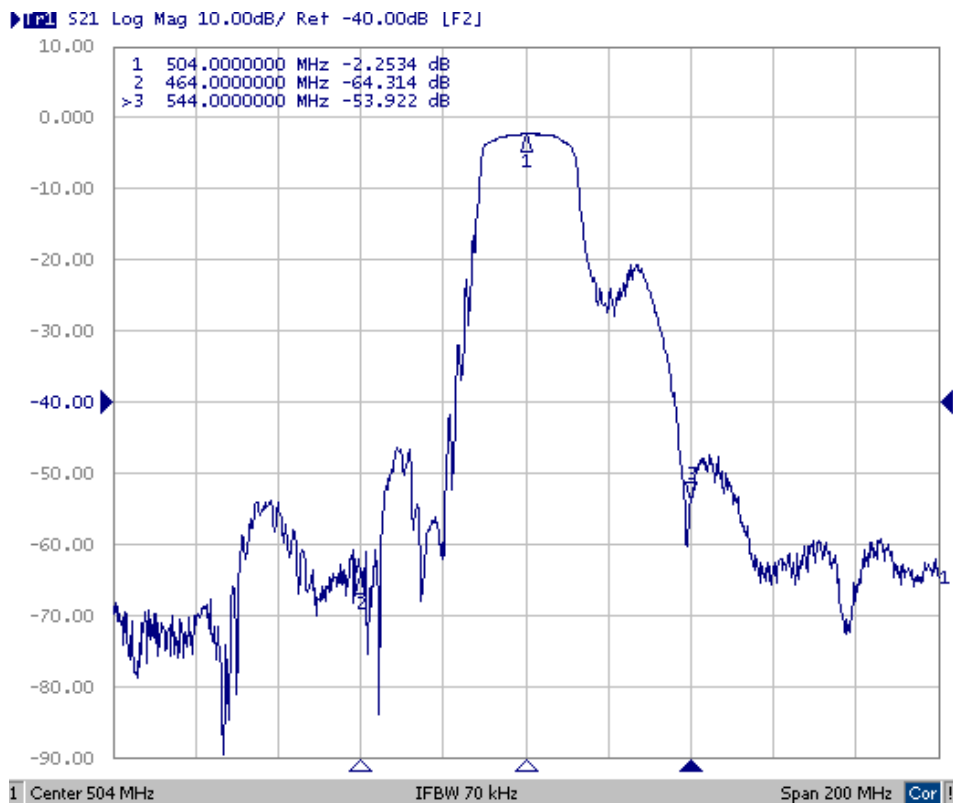
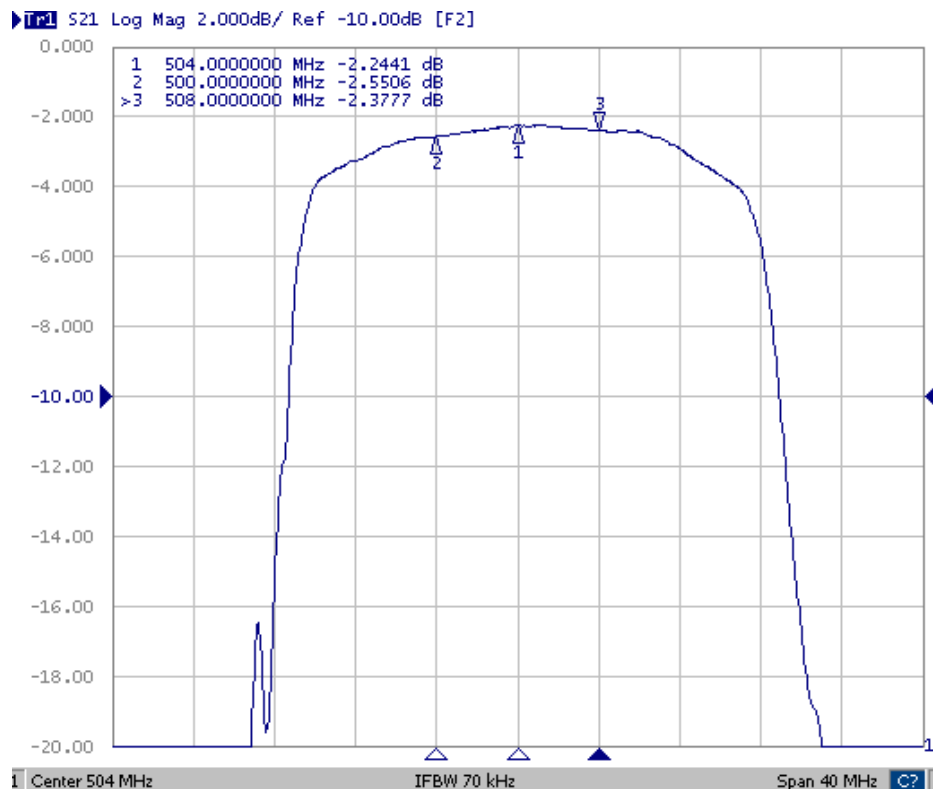
$$Z_{IN}=50\Omega // 0pF$$

Load impedance

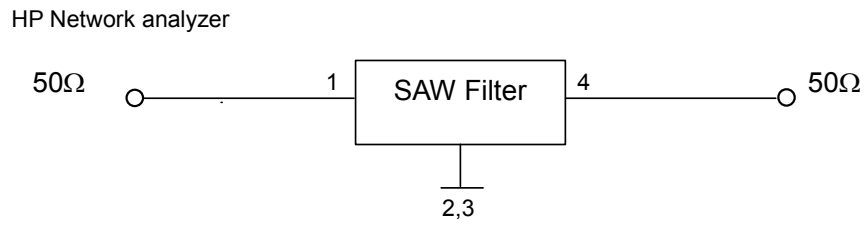


$$Z_{OUT}=50\Omega // 0pF$$

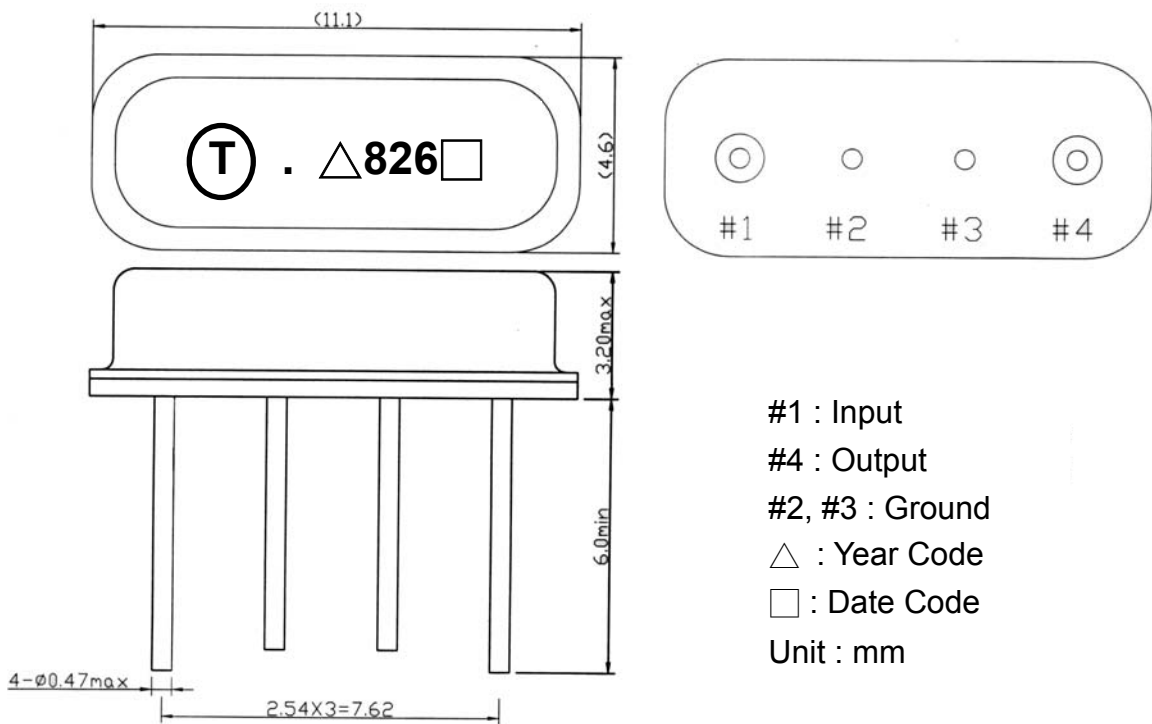
C. Frequency Characteristics :



D. MEASUREMENT CIRCUIT:



E. OUTLINE DRAWING:



- #1 : Input
- #4 : Output
- #2, #3 : Ground
- △ : Year Code
- : Date Code
- Unit : mm

△ Product Year Code

Year	2005	2006	2007	2008
	2009	2010	2011	2012
Product Code	A	a	A	a