

**ebm-papst St. Georgen GmbH & Co. KG**

Hermann-Papst-Straße 1

D-78112 St. Georgen

Phone +49 7724 81-0

Fax +49 7724 81-1309

info2@de.ebmpapst.com

www.ebmpapst.com

Nominal data

Type	AC 3200 JH	
Nominal voltage range	VAC	85 .. 265
Frequency	Hz	50/60
Speed	min ⁻¹	6800
Power input	W	11
Min. ambient temperature	°C	-20
Max. ambient temperature	°C	70
Air flow	m ³ /h	144
Sound power level	B	6.4
Sound pressure level	dB(A)	55

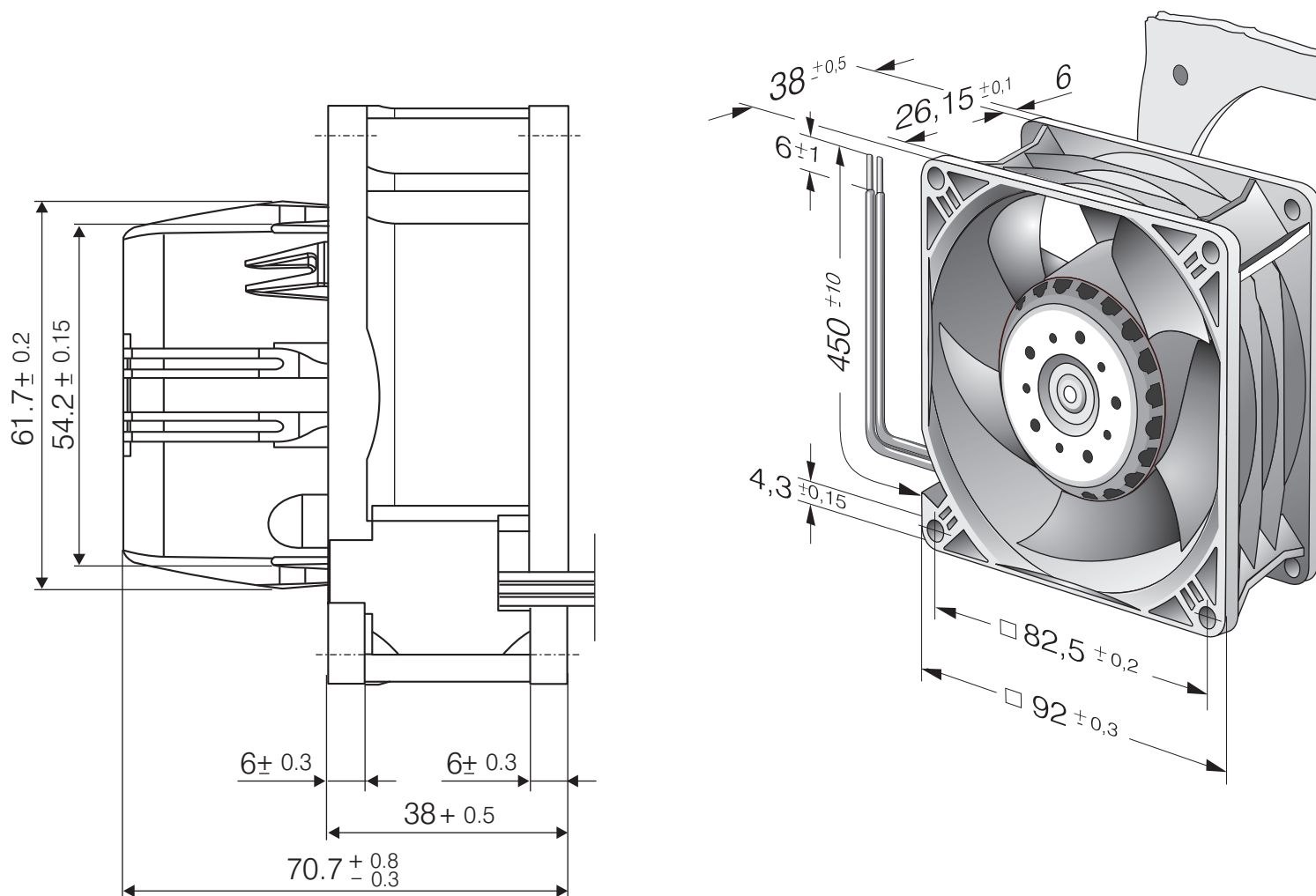
ml = max. load · me = max. efficiency · rfa = running at free air · cs = customer specs · cu = customer unit
Subject to alterations



Technical features

General description	<p>Particular design features:</p> <p>Can be used universally for all supply voltages between 85 and 265 VAC. Fan speed independent of the power frequency. Significantly reduced power consumption compared to conventional AC fans. Open loop speed control, sensor and alarm signal available on request. Rigid compression curve for high air flow at high counterpressure. Innovative impeller with winglets for low noise.</p> <p>General features:</p> <p>Material: fibreglass-reinforced plastic. Impeller made of PA, housing PBTP. Electronic commutation completely integrated. Protected against locking. Connection via single strands AWG 22, TR 64, bared and tin-plated. Air exhaust over bars. Rotational direction clockwise looking at rotor. Mass: 325 g.</p>
Mass	0.325 kg
Dimensions	92 x 92 x 38 mm
Material of impeller	Fiberglass-reinforced PA plastic
Housing material	Fiberglass-reinforced PBTP plastic
Direction of air flow	Air exhaust over bars
Direction of rotation	Right, looking at rotor
Type of protection	IP 20
Bearing	Ball bearings
Lifetime L10 at 40 °C	70000 h
Lifetime L10 at maximum temperature	35000 h
Connection line	Single strands AWG 22, TR 64, bared and tin-plated.
Motor protection	Protected against blocking.
Approval	VDE, CSA, UL, CCC, CE

Product drawing



Charts: Air flow

